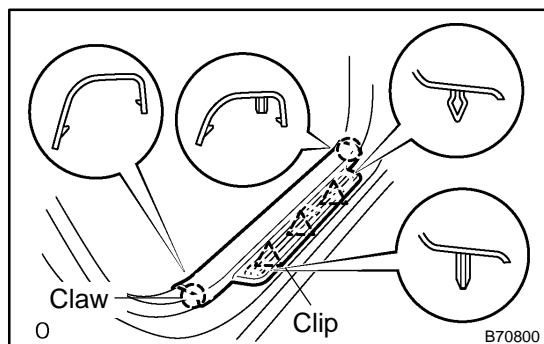


REPLACEMENT

HINT:

The installation procedures are the removal procedures in reverse order.



1. REMOVE FRONT DOOR SCUFF PLATE RH

- (a) Using a screwdriver, disengage the 2 claws and 3 clips, and remove the scuff plate.

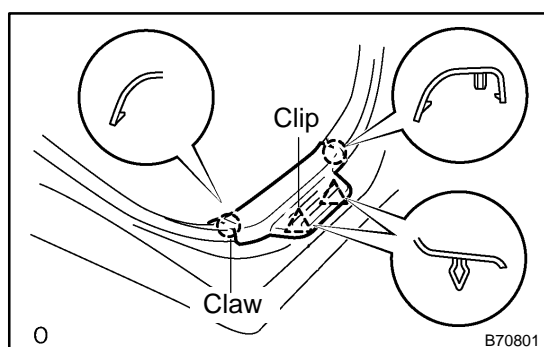
HINT:

Tape the screwdriver tip before use.

2. REMOVE FRONT DOOR SCUFF PLATE LH

HINT:

Use the same procedures described for the RH side.



3. REMOVE REAR DOOR SCUFF PLATE RH

- (a) Using a screwdriver, disengage the 2 claws and 2 clips, and remove the scuff plate.

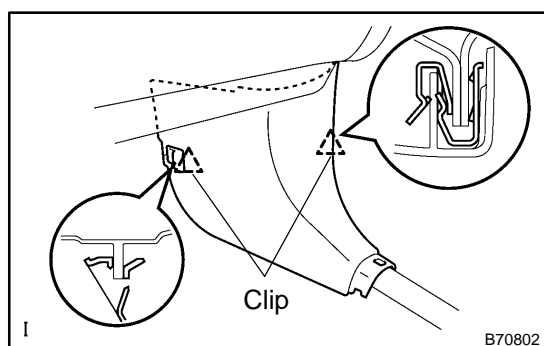
HINT:

Tape the screwdriver tip before use.

4. REMOVE REAR DOOR SCUFF PLATE LH

HINT:

Use the same procedures described for the RH side.



5. REMOVE COWL SIDE TRIM BOARD RH

- (a) Using a screwdriver, disengage the 2 clips and remove the trim board.

HINT:

Tape the screwdriver tip before use.

6. REMOVE COWL SIDE TRIM BOARD LH

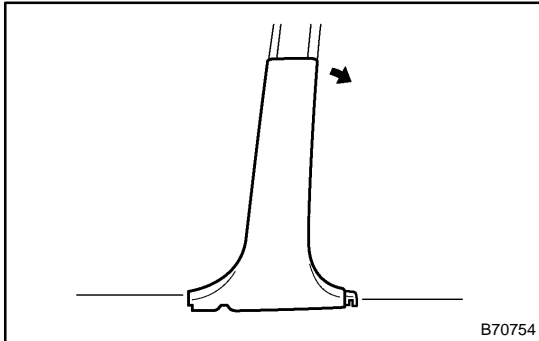
HINT:

Use the same procedures described for the RH side.

7. REMOVE FRONT DOOR OPENING TRIM RH

8. REMOVE FRONT DOOR OPENING TRIM LH

9. REMOVE REAR DOOR OPENING TRIM RH
10. REMOVE REAR DOOR OPENING TRIM LH

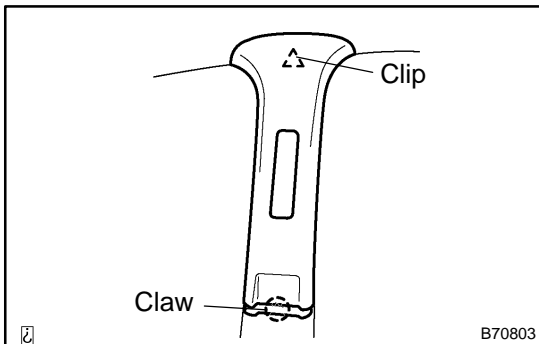


11. REMOVE CENTER PILLAR GARNISH LOWER RH
 - (a) Remove the floor anchor cover.
 - (b) Remove the bolt and front seat outer belt on the floor anchor side.
 - (c) Remove the center pillar garnish.

12. REMOVE CENTER PILLAR GARNISH LOWER LH

HINT:

Use the same procedures described for the RH side.



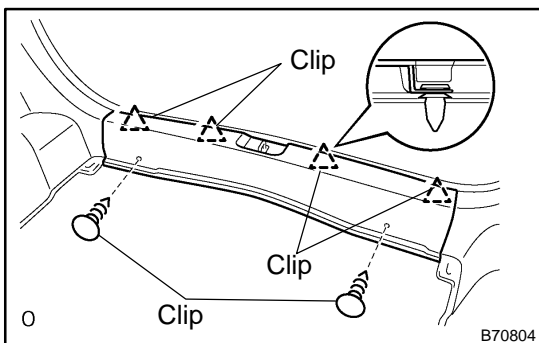
13. REMOVE CENTER PILLAR GARNISH UPPER RH
 - (a) Remove the shoulder anchor cover.
 - (b) Remove the bolt and the front seat outer belt on the shoulder anchor side.
 - (c) Disengage the clip and remove the center pillar garnish by pulling it up.

14. REMOVE CENTER PILLAR GARNISH UPPER LH

HINT:

Use the same procedures described for the RH side.

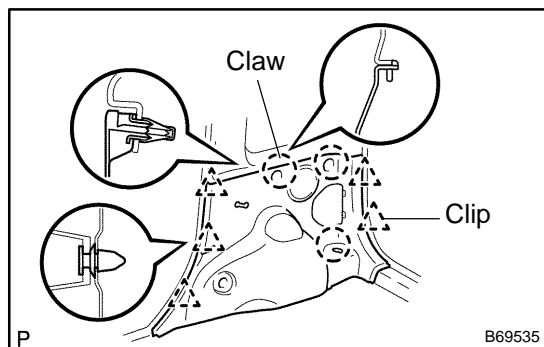
15. REMOVE DECK BOARD NO.1
16. REMOVE DECK BOARD NO.2
17. REMOVE DECK FLOOR BOX LH
18. REMOVE DECK FLOOR BOX RH
19. REMOVE REAR SEAT ASSY (See page 72-8)
20. REMOVE BACK DOOR WEATHERSTRIP



21. REMOVE DECK TRIM COVER REAR
 - (a) Using a clip remover, disengage the 2 clips.
 - (b) Using a screwdriver, disengage the 4 clips and remove the trim cover.

HINT:

Tape the screwdriver tip before use.

**22. REMOVE DECK TRIM SIDE PANEL ASSY RH**

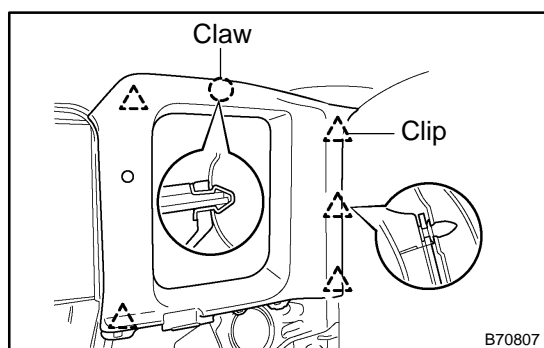
- (a) Remove the 2 bolts and hook.
- (b) Remove the bolt and seatback hinge.
- (c) Remove the bolt and belt on the floor anchor side.
- (d) Using a screwdriver, disengage the 3 claws and 5 clips, and remove the side panel.

HINT:

Tape the screwdriver tip before use.

23. REMOVE DECK TRIM SIDE BOARD LH**HINT:**

Use the same procedures described for the RH side.

**24. REMOVE ROOF SIDE GARNISH INNER RH**

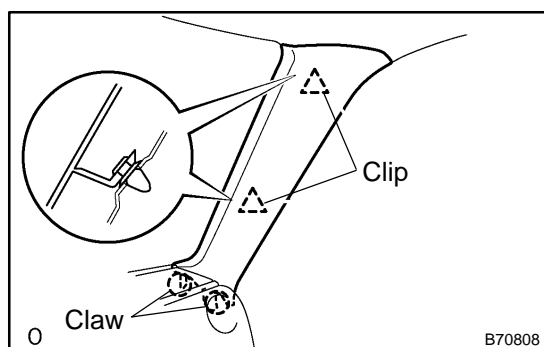
- (a) Remove the shoulder anchor cover.
- (b) Remove the bolt and belt on the shoulder anchor side.
- (c) Using a screwdriver, disengage the claw and 5 clips and remove the side panel.

HINT:

Tape the screwdriver tip before use.

25. REMOVE ROOF SIDE GARNISH INNER LH**HINT:**

Use the same procedures described for the RH side.

**26. REMOVE FRONT PILLAR GARNISH RH**

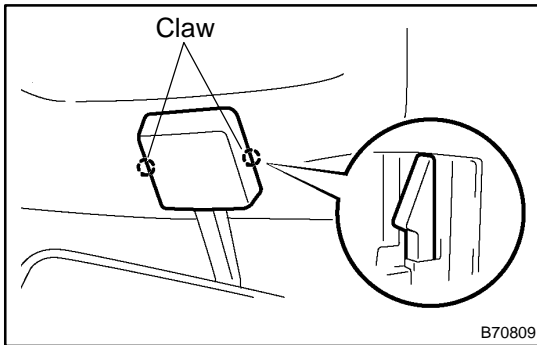
- (a) Using a screwdriver, disengage the 2 claws and 2 clips, and remove the garnish by pulling it up.

HINT:

Tape the screwdriver tip before use.

27. REMOVE FRONT PILLAR GARNISH LH**HINT:**

Use the same procedures described for the RH side.

**28. REMOVE INNER REAR VIEW MIRROR ASSY**

- (a) Using a screwdriver, disengage the 2 claws and remove the holder cover.

HINT:

Tape the screwdriver tip before use.

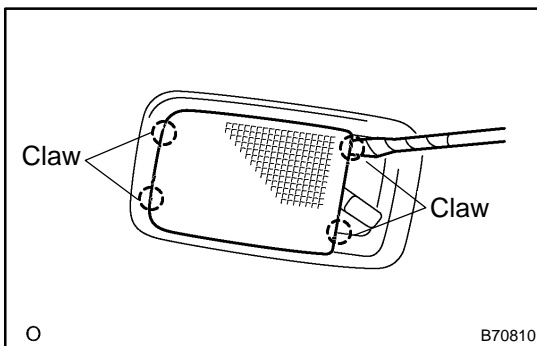
- (b) Remove the 2 screws and mirror.

29. REMOVE RH VISOR ASSY

- (a) Remove the 2 screws and visor.

30. REMOVE LH VISOR ASSY

- (a) Remove the 2 screws and visor.

**31. REMOVE ROOM LAMP ASSY NO.1**

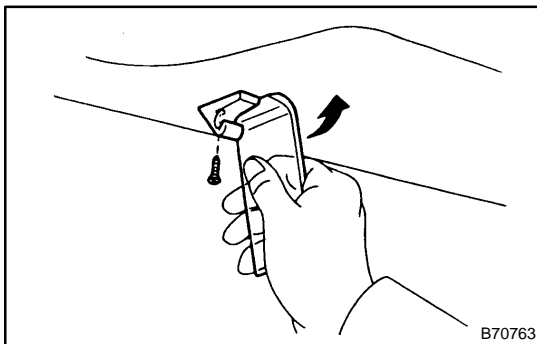
- (a) Using a screwdriver, disengage the 4 claws and remove the lens cover.

HINT:

Tape the screwdriver tip before use.

- (b) Remove the 2 screws.

- (c) Disconnect the connector and remove the lamp.

**32. REMOVE VISOR HOLDER RH**

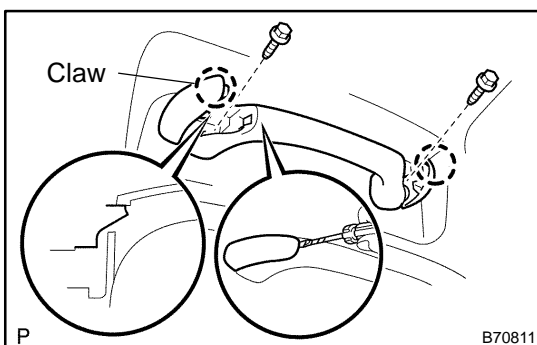
- (a) Remove the screw.

- (b) Using a moulding remover, disengage the 3 claws and remove the holder.

33. REMOVE VISOR HOLDER LH

HINT:

Use the same procedures described for the RH side.

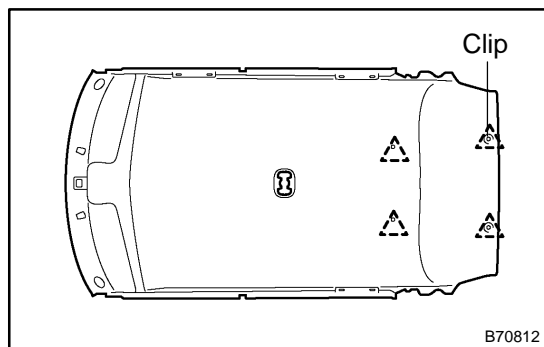
**34. REMOVE ASSIST GRIP SUB-ASSY**

- (a) Using a screwdriver, disengage the 2 claws and remove the assist grip covers.

HINT:

Tape the screwdriver tip before use.

- (b) Remove the 2 bolts and assist grip.

**35. REMOVE ROOF HEADLINING ASSY**

- (a) Using a clip remover, disengage the 4 clips and remove the headlining.