

BACK DOOR GARNISH OUTSIDE

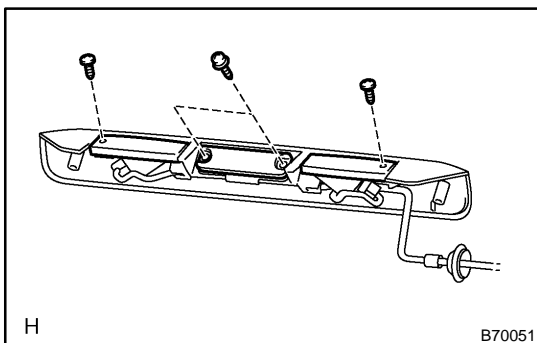
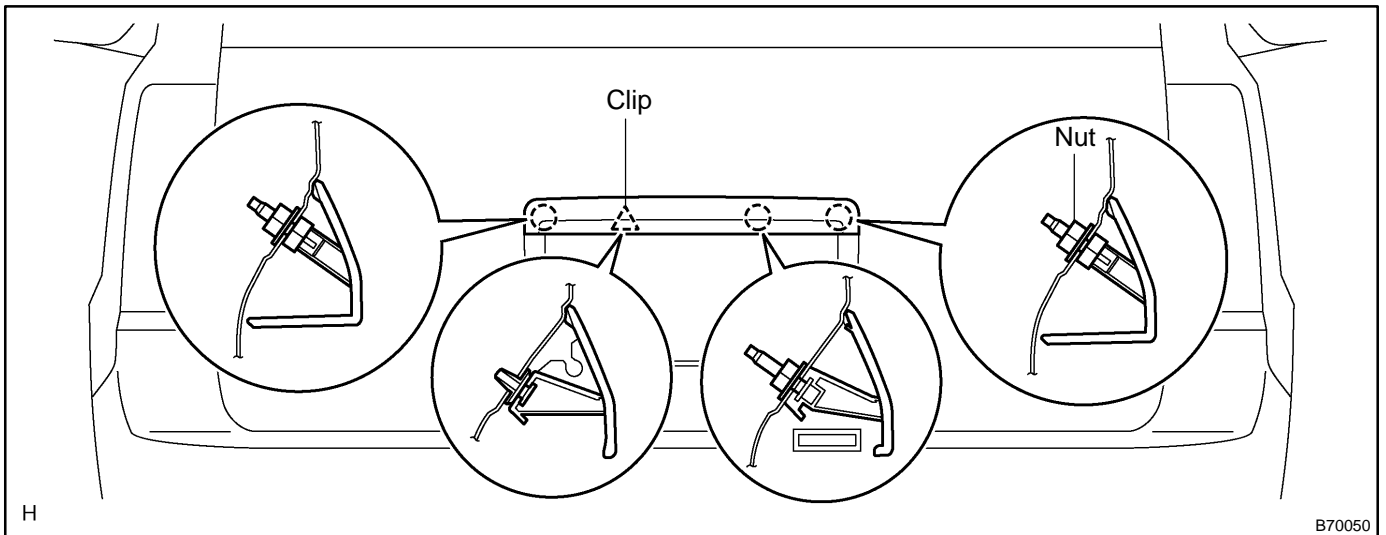
REPLACEMENT

76020-01

HINT:

The installation procedures are the removal procedures in reverse order.

1. **REMOVE BACK DOOR TRIM BOARD (See page 75-33)**
2. **REMOVE BACK DOOR GARNISH OUTSIDE**
 - (a) Remove the 3 nuts, and clip and garnish.



- (b) Remove the 4 screws and back door opener switch together with the 2 license lamps.