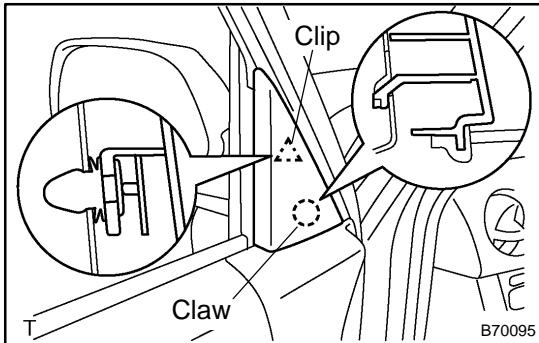


## OVERHAUL

### HINT:

- The installation procedures are the removal procedures in reverse order. However, only installation procedures requiring additional information are included.
- Use the same procedures for the RH side and LH side.

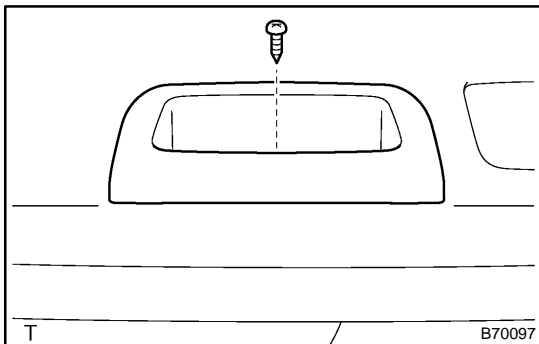


### 1. REMOVE FRONT DOOR LOWER FRAME BRACKET GARNISH LH

- (a) Using a screwdriver, disengage the clip and claw, and remove the garnish.

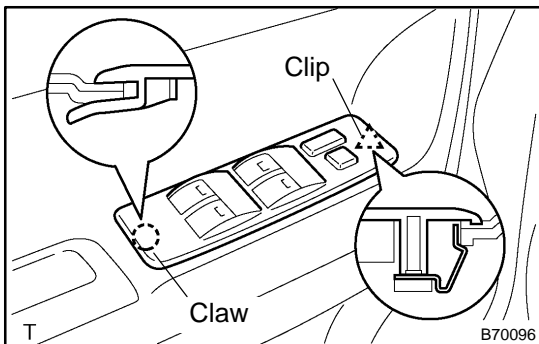
### HINT:

Tape the screwdriver tip before use.



### 2. REMOVE DOOR PULL HANDLE

- (a) Remove the screw and handle upward.



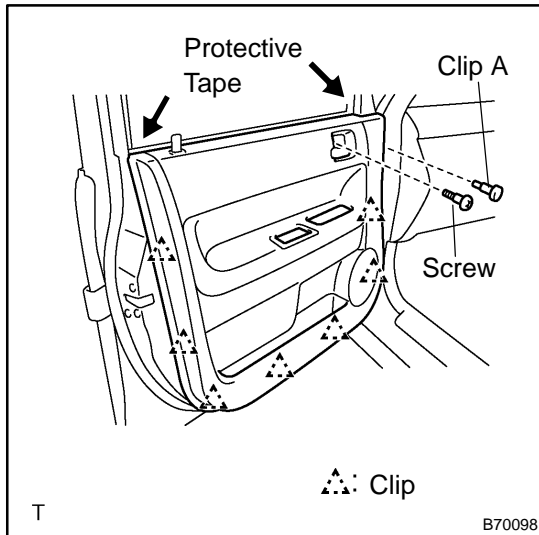
### 3. REMOVE POWER WINDOW REGULATOR MASTER SWITCH ASSY

- (a) Using a screwdriver, disengage the clip and claw, and remove the armrest base panel upper together with the switch.

### HINT:

Tape the screwdriver tip before use.

- (b) Disconnect the switch connector.
- (c) Remove the 3 screws and the switch from the armrest base panel upper.



#### 4. REMOVE FRONT DOOR TRIM BOARD SUB-ASSY LH

- (a) Remove the screw and clip A as shown in the illustration.
- (b) Using a screwdriver, disengage the 7 clips.

HINT:

Tape the screwdriver tip before use.

- (c) Remove the trim board upward.

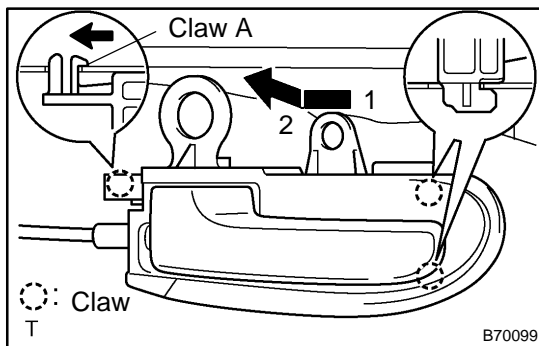
HINT:

In order to prevent the door panel from being damaged, use protective tape to cover the areas indicated by the arrow marks in the illustration.

- (d) Using a screwdriver, disengage the claws and remove the weatherstrip inner.

HINT:

Tape the screwdriver tip before use.



#### 5. REMOVE FRONT DOOR INSIDE HANDLE SUB-ASSY LH

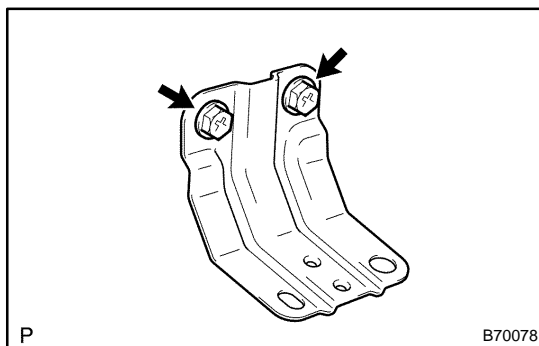
- (a) Using a screwdriver, disengage the claw A as shown in the illustration.

HINT:

Tape the screwdriver tip before use.

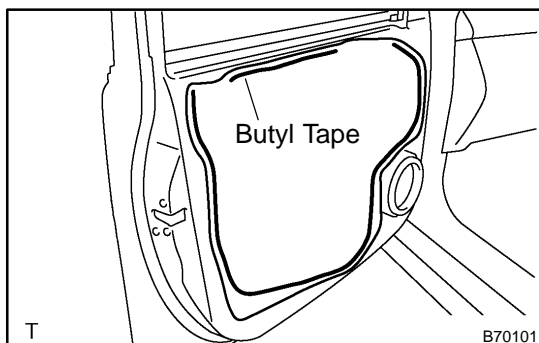
- (b) Move the inside handle in the direction indicated by the arrow mark in the illustration.

- (c) Disconnect the cable from the inside handle.



#### 6. REMOVE FRONT DOOR SERVICE HOLE COVER LH

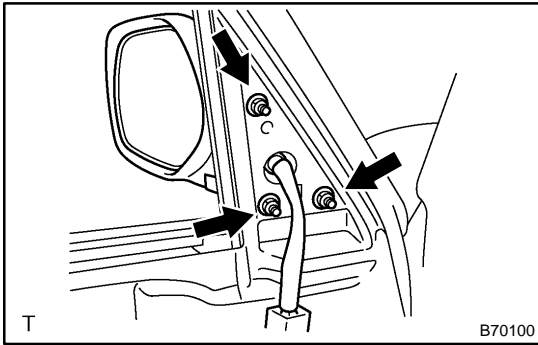
- (a) Remove the 2 screws and bracket.



- (b) Remove the service hole cover.

**NOTICE:**

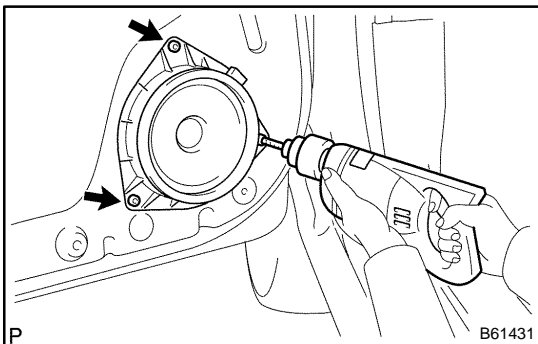
Remove the remaining tape on the door side.

**7. REMOVE OUTER REAR VIEW MIRROR ASSY LH**

- (a) Disconnect the mirror connector.
- (b) Remove the 3 nuts and mirror.

**NOTICE:**

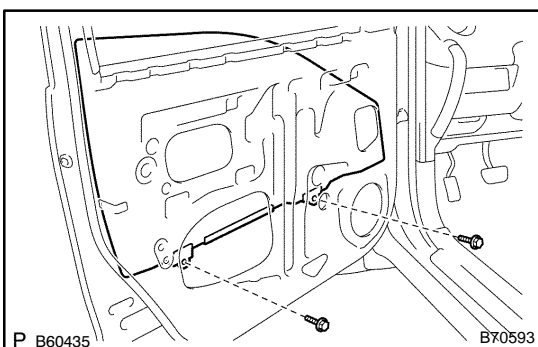
**Be careful when removing the nuts as the mirror may fall and become damaged.**

**8. REMOVE FRONT DOOR GLASS WEATHERSTRIP ASSY OUTER LH (See page 76-8)****9. REMOVE FRONT NO.1 SPEAKER ASSY**

- (a) Using a drill of less than  $\varnothing$  4 mm (0.16 in.), drill out the head of the 3 rivet heads and remove the speaker.

**NOTICE:**

- **Be sure to gently place the drill perpendicular to the rivet to prevent the rivet hole and the drill itself from being damaged.**
  - **Be careful as the cut rivet will very hot.**
- (b) Even if the flange is taken off, continue drilling and push out the remaining fragments using the drill.
  - (c) Using a vacuum cleaner, remove the drilled rivet and dust from the inside of the door.

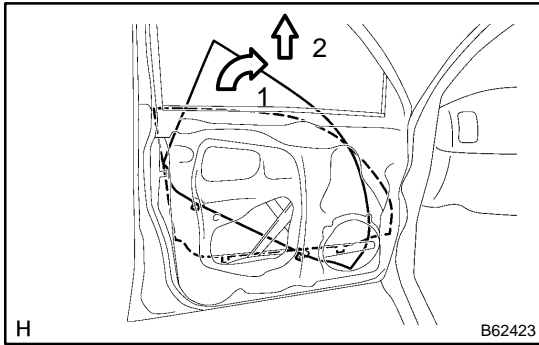
**10. REMOVE FRONT DOOR GLASS SUB-ASSY LH****HINT:**

Insert a shop rag inside the door panel to prevent the glass from being scratched.

- (a) Move the door glass until the bolts appear in the service holes.
- (b) Remove the 2 bolts holding the door glass to the window regulator.

**NOTICE:**

**Be careful when removing the bolts as the glass may fall and become damaged.**

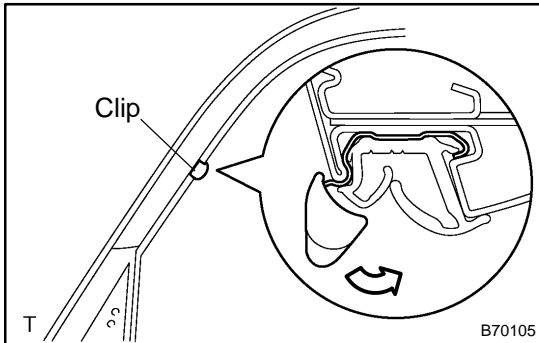


- (c) Remove the door glass in the direction indicated by the white arrow marks in the illustration.

**NOTICE:**

**Be careful not to damage the glass.**

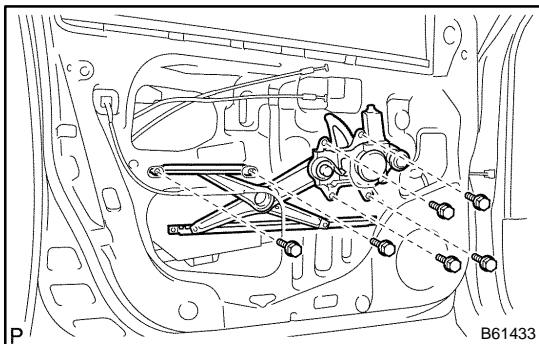
- (d) Remove the glass run.



- (e) Using a screwdriver, disengage the claw and remove the door window glass clip in the direction indicated by the white arrow mark in the illustration.

**HINT:**

Tape the screwdriver tip before use.



### 11. REMOVE FRONT DOOR WINDOW REGULATOR SUB-ASSY LH

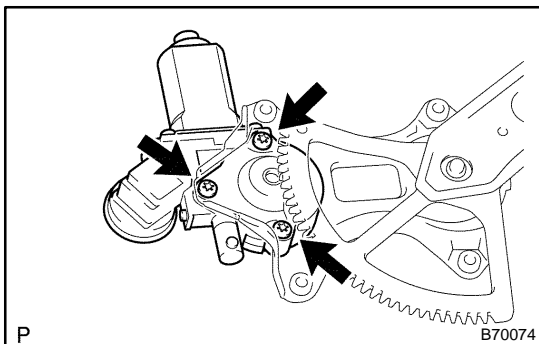
- (a) Disconnect the window regulator connector.  
 (b) Remove the 6 bolts and window regulator.

**NOTICE:**

**Be careful when removing the bolts as the window regulator may fall and become damaged**

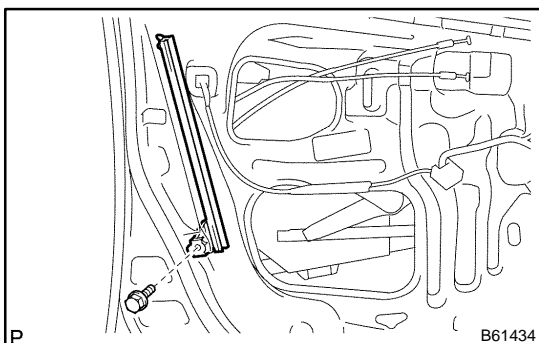
**HINT:**

Remove the window regulator through the service hole.



### 12. REMOVE POWER WINDOW REGULATOR MOTOR ASSY LH

- (a) Using a torx driver (T25), remove the 3 screws and motor.

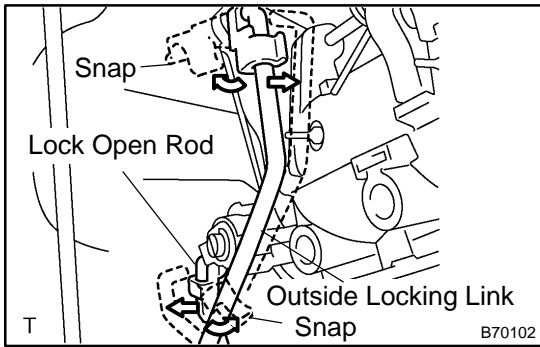


### 13. REMOVE FRONT DOOR FRAME SUB-ASSY REAR LOWER LH

- (a) Remove the bolt and frame.

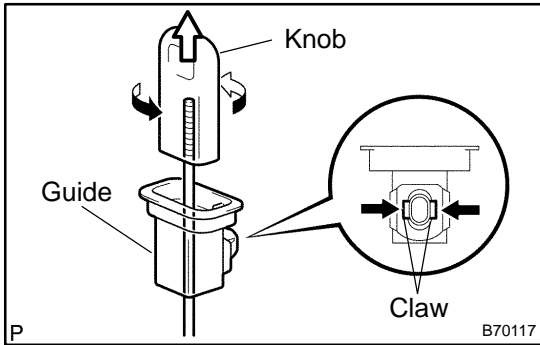
**HINT:**

Remove the frame through the service hole.



**14. REMOVE FRONT DOOR LOCK ASSY LH**

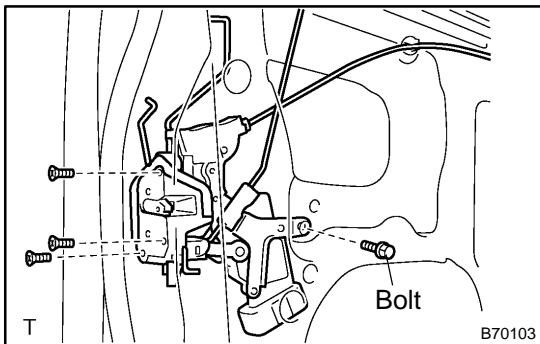
- (a) Disconnect the snap and outside locking link from the outside handle as indicated by the white arrow marks in the illustration.
- (b) Disconnect the snap and lock open rod from the outside handle as indicated by the white arrow marks in the illustration.



- (c) Twist the knob and remove it, as shown in the illustration.
- (d) Using a screwdriver, disengage the 2 claws and remove the guide.

**HINT:**

Tape the screwdriver tip before use.



- (e) Remove the bolt.
- (f) Using a torx socket wrench (T30), remove the 3 screws and door lock.

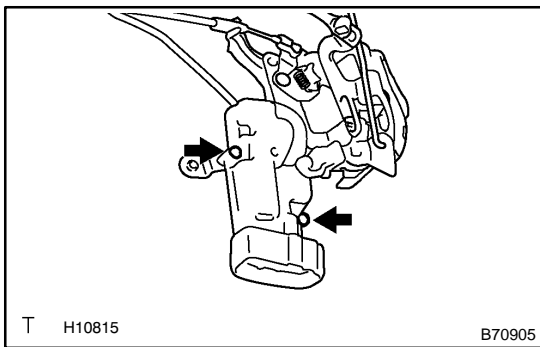
**NOTICE:**

**Be careful not to drop the window regulator as it may become damaged.**

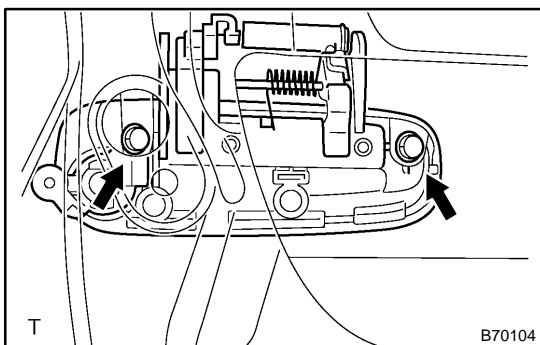
**HINT:**

Remove the door lock through the service hole.

- (g) Remove the cable from the lock.



- (h) Remove the 2 screws and actuator.

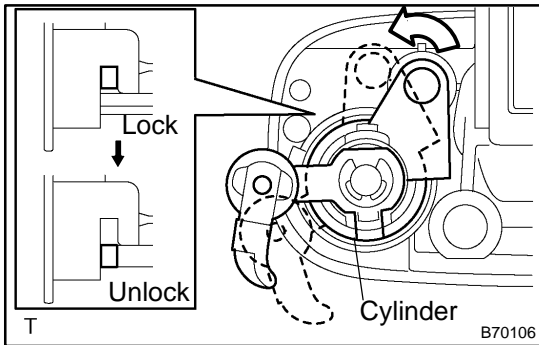


**15. REMOVE FRONT DOOR HANDLE ASSY OUTSIDE LH**

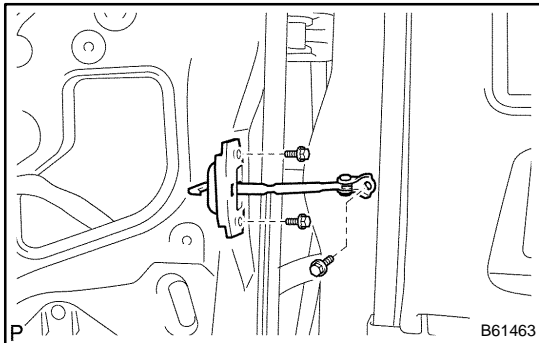
- (a) Remove the 2 bolts and handle together with the cylinder.

**NOTICE:**

**Be careful when removing the bolts as the outside handle may fall and become damaged.**



- (b) Unlock the cylinder by turning it in the direction by the white arrow mark in the illustration
- (c) Remove the cylinder.



#### 16. REMOVE FRONT DOOR CHECK ASSY LH

- (a) Remove the 3 bolts and door check.

HINT:

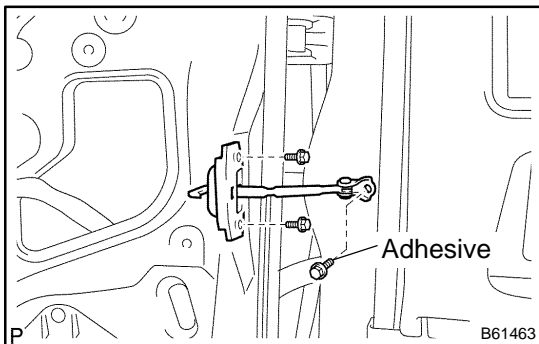
Remove the check through the service hole.

#### 17. REMOVE FRONT DOOR WEATHERSTRIP LH

- (a) Using a clip remover, disengage the clips and remove the weatherstrip.

HINT:

If clips are damaged during removal, replace them.



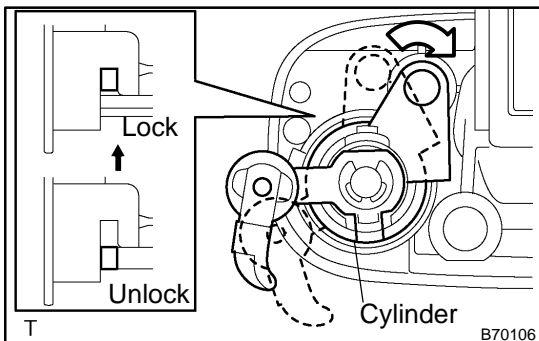
#### 18. INSTALL FRONT DOOR CHECK ASSY LH

- (a) Apply MP grease to the sliding areas of the check.
- (b) Install the check to the door panel with the 2 bolts.  
**Torque: 5.5 N·m (56 kgf·cm, 49 in·lbf)**
- (c) Apply adhesive to the threads of the bolt.

**Adhesive:**

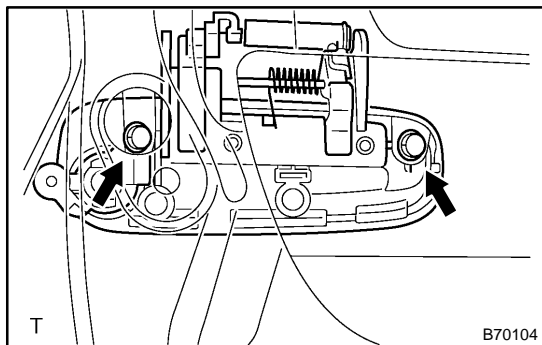
**Part No. 08833-00070, THREE BOND 1324 or equivalent**

- (d) Install the check to the body panel with the bolt.  
**Torque: 30 N·m (306 kgf·cm, 22 ft·lbf)**



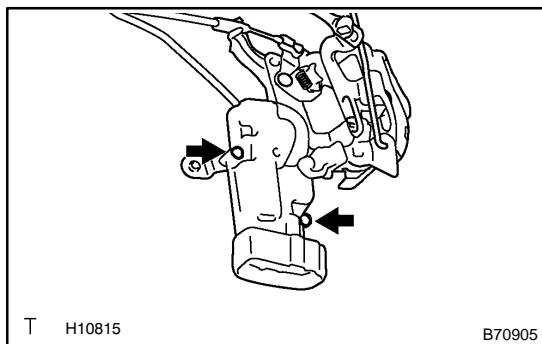
#### 19. INSTALL FRONT DOOR HANDLE ASSY OUTSIDE LH

- (a) Install the cylinder to the handle.
- (b) Lock the cylinder by turning it in the direction indicated by the white arrow mark in the illustration.



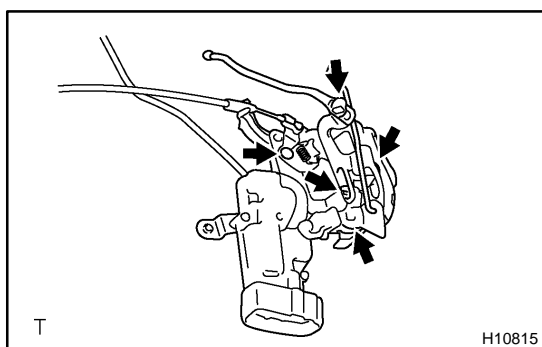
- (c) Install the handle together with the cylinder with the 2 bolts.

**Torque: 5.5 N·m (56 kgf·cm, 49 in.-lbf)**

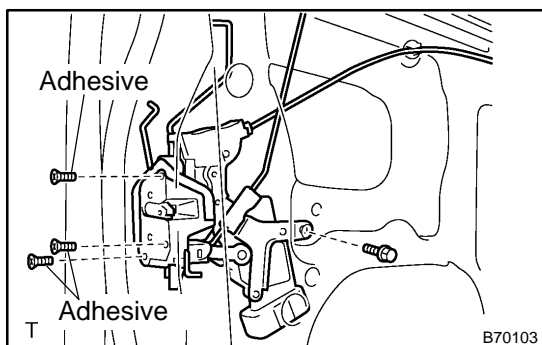


## 20. INSTALL FRONT DOOR LOCK ASSY LH

- (a) Install the actuator with the 2 screws.



- (b) Apply MP grease to the sliding and rotating areas of the door lock.



- (c) Install the bolt.

**Torque: 5.0 N·m (51 kgf·cm, 44 in.-lbf)**

- (d) Apply adhesive to the threads of the 3 screws.

**Adhesive:**

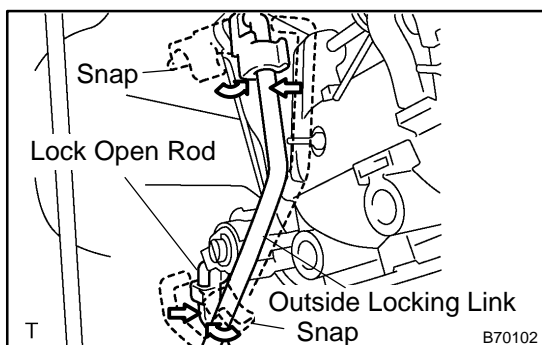
**Part No. 08833-00070, THREE BOND 1324 or equivalent**

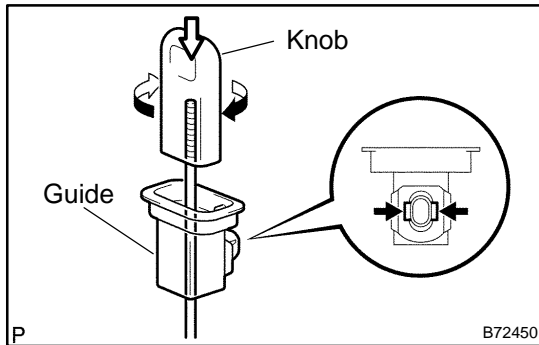
- (e) Using a torx socket wrench (T30), install the door lock with the 3 screws.

**Torque: 5.0 N·m (51 kgf·cm, 44 in.-lbf)**

- (f) Connect the door lock connector.

- (g) Install the lock open rod and outside locking link in the direction indicated by the arrow marks in the illustration.

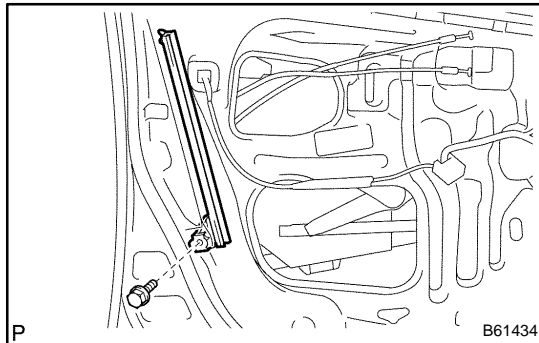




- (h) Install the guide.  
 (i) Attach the knob in the direction indicated by the white arrow mark in the illustration.

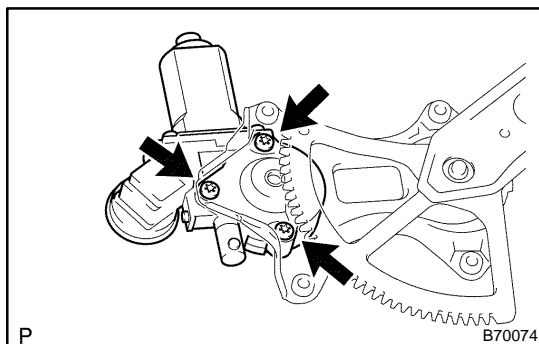
**HINT:**

After attaching the knob, rotate it 90 degrees in the direction by the arrow marks in the illustration.



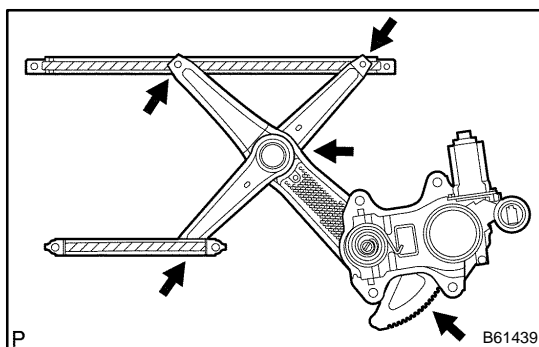
## 21. INSTALL FRONT DOOR FRAME SUB-ASSY REAR LOWER LH

- (a) Install the frame with the bolt.  
**Torque: 5.5 N·m (56 kgf·cm, 49 in.-lbf)**



## 22. INSTALL POWER WINDOW REGULATOR MOTOR ASSY LH

- (a) Using a torx driver (T25), install the motor with the 3 screws.  
**Torque: 5.5 N·m (56 kgf·cm, 49 in.-lbf)**

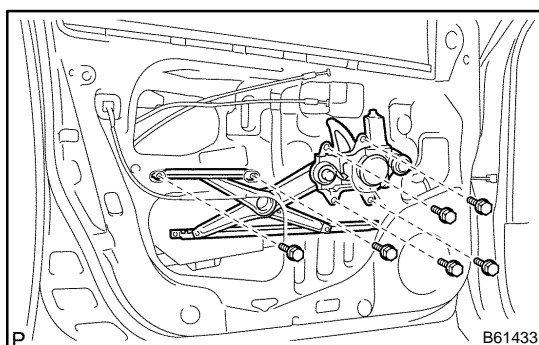


## 23. INSTALL FRONT DOOR WINDOW REGULATOR SUB-ASSY LH

- (a) Apply MP grease to the sliding and rotating areas of the window regulator.

**NOTICE:**

**Do not apply grease to the spring of the window regulator.**

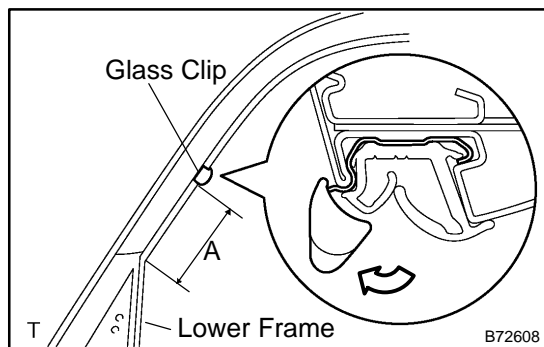


- (b) Install the window regulator with the 6 bolts.  
**Torque: 8.0 N·m (82 kgf·cm, 71 in.-lbf)**

**NOTICE:**

**Be careful not to drop the window regulator as it may become damaged.**

- (c) Connect the window regulator connector.

**24. INSTALL FRONT DOOR GLASS SUB-ASSY LH**

- (a) Install the glass clip in the direction indicated by the white arrow mark in the illustration.

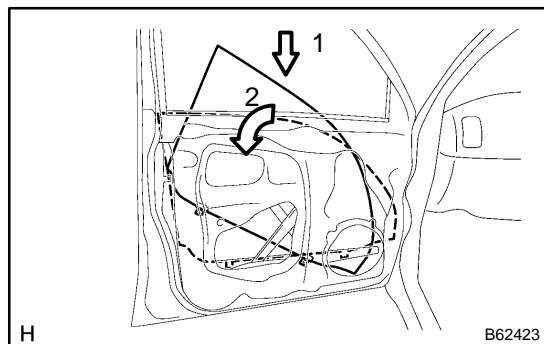
**Standard:**

Area	Measurement
Lower frame upper end x glass clip	170 ± 30 mm (6.70 ± 1.18 in.)

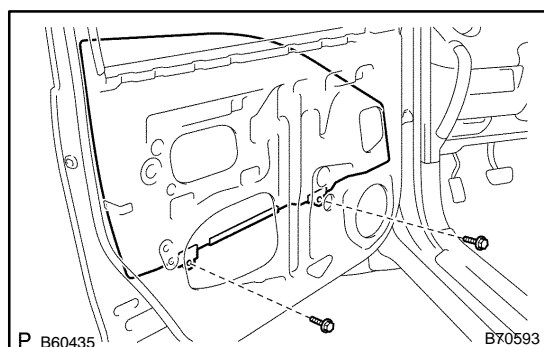
- (b) Install the glass run.

**NOTICE:**

**Be careful not to damage the glass.**



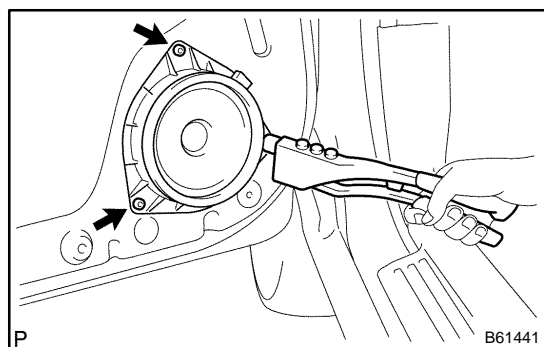
- (c) Insert the door glass into the door panel along the glass run as indicated in the illustration.



- (d) Install the door glass to the window regulator with the 2 bolts.

**Torque: 5.0 N·m (51 kgf·cm, 44 in.-lbf)**

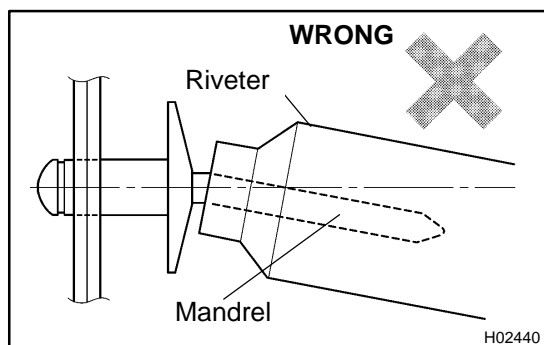
- (e) Check operation of the power window.
- (1) Connect the power window switch to the wire harness and turn the ignition switch ON.
  - (2) Use the UP and DOWN function several times.

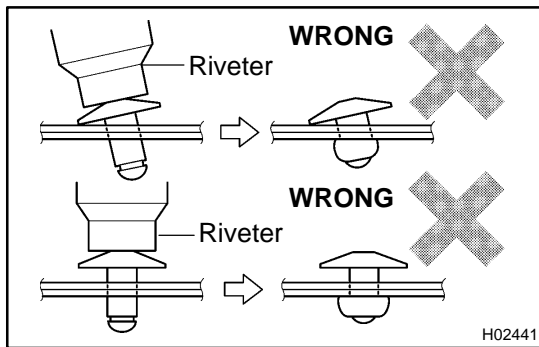
**25. INSTALL FRONT NO.1 SPEAKER ASSY**

- (a) Using an air riveter or hand riveter, install the speaker to the door with the 3 new rivets.

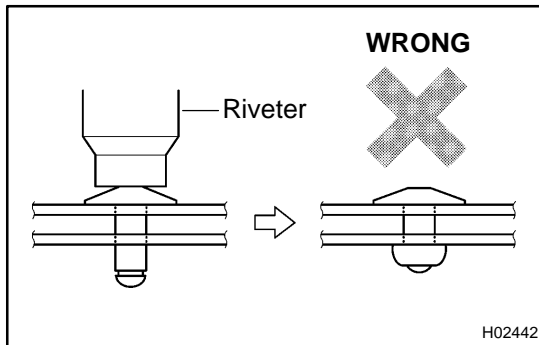
**NOTICE:**

- Do not operate the riveter at an angle as this will damage it and bend the mandrel.



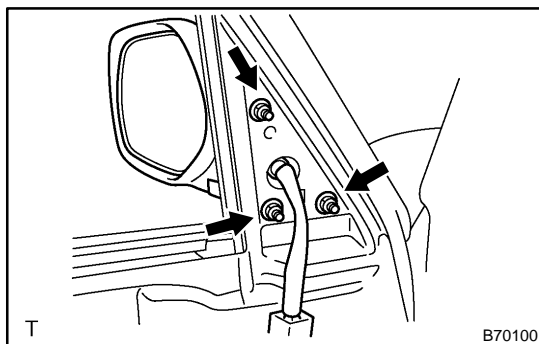


- Do not tilt the riveter when installing the rivet as the speaker will not be tightened firmly.



- Install the rivet while attaching the speaker to ensure that it is tightened firmly.

- (b) Connect the speaker connector.

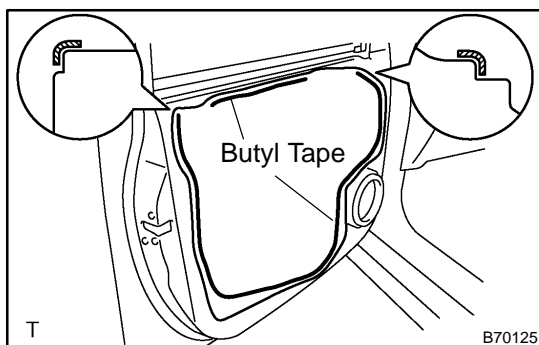


## 26. INSTALL OUTER REAR VIEW MIRROR ASSY LH

- (a) Install the mirror with the 3 nuts.

**Torque: 10 N·m (102 kgf·cm, 7 ft·lbf)**

- (b) Connect the mirror connector.



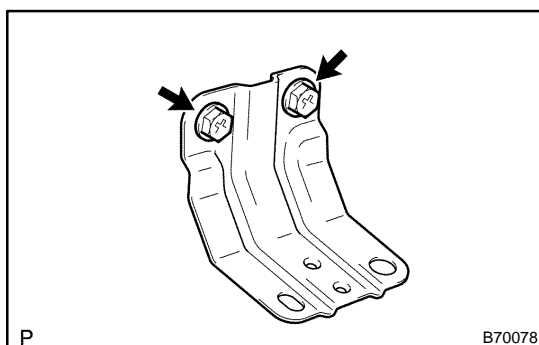
## 27. INSTALL FRONT DOOR SERVICE HOLE COVER LH

- (a) Apply butyl tape to the door as shown in the illustration.

- (b) Install a new service hole cover.

HINT:

- When installing the service hole cover, pull out the links and connectors through the service hole cover.
- There should be no wrinkles or folds after attaching the service hole cover.
- After attaching the service hole cover, check the sealing quality.



- (c) Install the bracket with the 2 bolts.