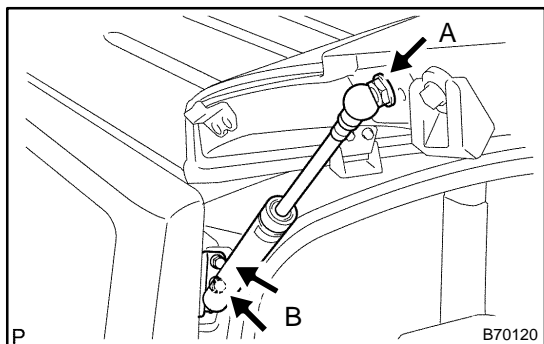


BACK DOOR STAY REPLACEMENT

750PT-01

HINT:

- The installation procedures are the removal procedures in reverse order. However, only installation procedures requiring additional information are included.
- Use the same procedures for the RH side and LH side.



1. REMOVE BACK DOOR STAY SUB-ASSY LH

- (a) Remove bolt A from the door panel.

HINT:

Remove the door stay while supporting the back door with your hands.

- (b) Remove the 2 bolts B and stay from the body panel.

2. INSTALL BACK DOOR STAY SUB-ASSY LH

- (a) Install the stay with the bolts.

Torque:

22.0 N·m (224 kgf·cm, 16 ft·lbf) for bolt A

8.0 N·m (82 kgf·cm, 71 in·lbf) for bolt B