

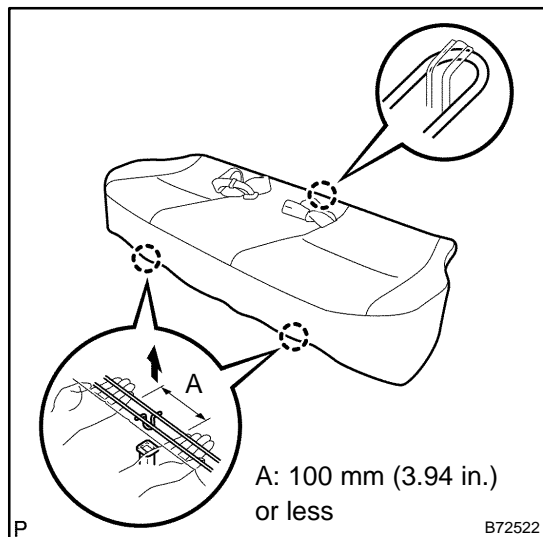
REPLACEMENT

HINT:

The installation procedures are the removal procedures in reverse order. However, only installation procedures requiring additional information are included.

CAUTION:

Wear gloves because cutting surface of the seat cushion frame and seat adjuster may injure your hand.

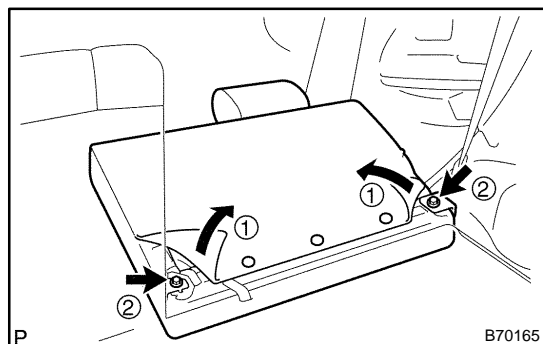


1. REMOVE REAR SEAT CUSHION W/COVER PAD SUB-ASSY

- (a) Pull up the 2 front portions of the seat cushion, then remove it.

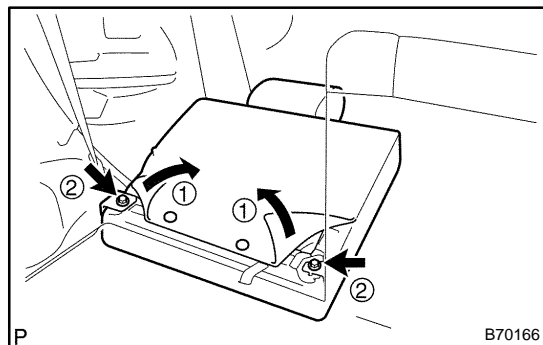
NOTICE:

In this case, hold the base of the clip up to prevent the cushion frame from being distorted.



2. REMOVE REAR SEATBACK ASSY LH

- (a) Tilt down the seatback toward the front of the vehicle.
 (b) Turn up the seatback cover as shown in the illustration.
 (c) Remove the 2 bolts and seatback.



3. REMOVE REAR SEATBACK ASSY RH

HINT:

Use the same procedures described for the LH side.

4. REMOVE REAR SEATBACK LOCK STRIKER LH

- (a) Remove the 2 bolts and seatback lock striker.

5. REMOVE REAR SEATBACK LOCK STRIKER RH

- (a) Remove the nut, 2 bolts and seatback lock striker.

6. REMOVE REAR SEATBACK HINGE SUB-ASSY LH

(a) Remove the bolt and seatback hinge.

7. REMOVE REAR SEATBACK HINGE SUB-ASSY RH

(a) Remove the bolt and seatback hinge.

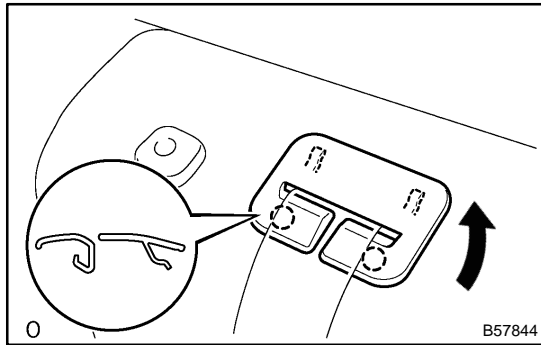
8. REMOVE CHILD RESTRAINT SEAT ANCHOR BRACKET SUB-ASSY

(a) Remove the 4 bolts and anchor bracket.

9. REMOVE REAR SEAT HEADREST ASSY

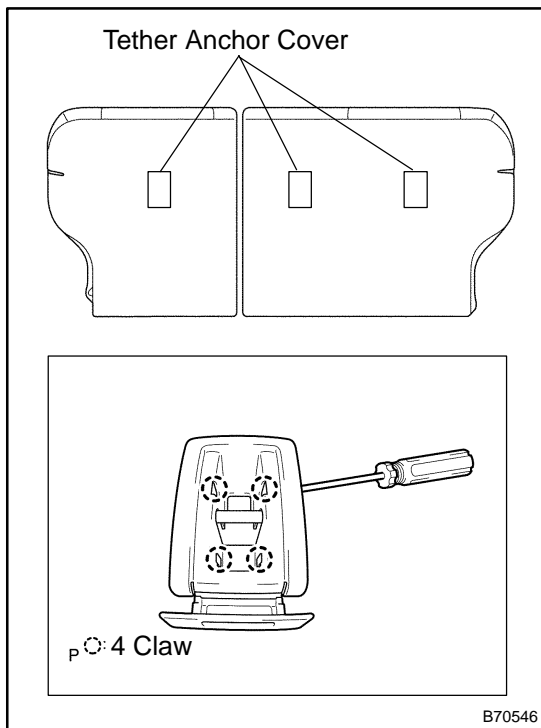
(a) Remove the headrests.

10. REMOVE REAR SEATBACK LOCK RELEASE BUTTON



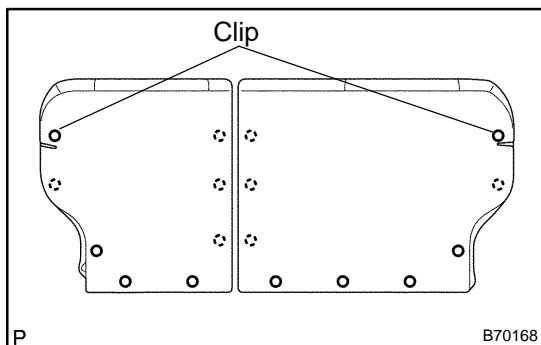
**11. Only RH side:
REMOVE REAR SEAT SHOULDER BELT COVER**

(a) Using a screwdriver, remove the shoulder belt cover.



12. REMOVE TETHER ANCHOR COVER

(a) Using a screwdriver, remove the 3 tether anchor covers.



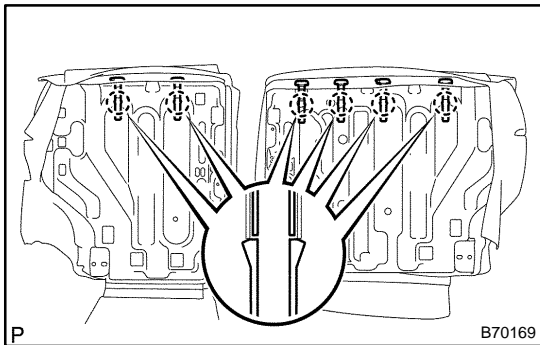
13. REMOVE REAR SEAT HEADREST SUPPORT

(a) Using a clip remover, remove the 17 clips.

NOTICE:

If clips are damaged during removal, replace them.

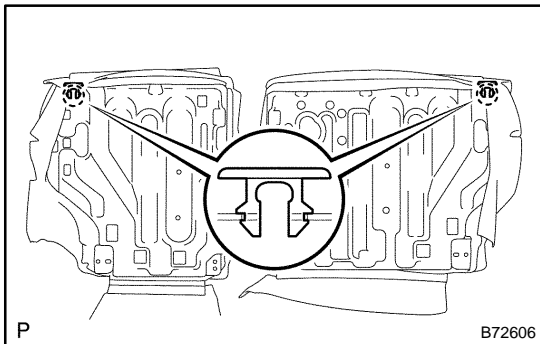
(b) Remove the hog rings.



- (c) Disengage the claws and remove the seat headrest support.

HINT:

When performing this step, position yourself between the seatback frame and the seatback cover (with pad).



14. REMOVE REAR SEATBACK STOP BUTTON GROMMET

- (a) Disengage the claws and remove the seatback stop button grommet.

HINT:

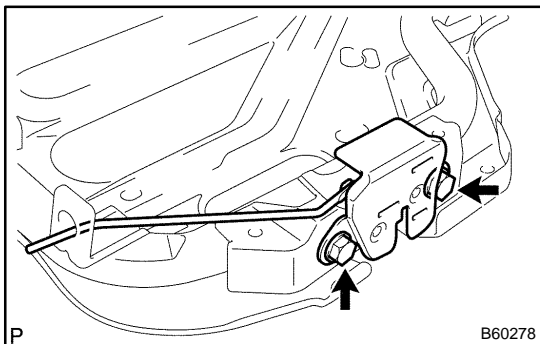
When performing this step, position yourself between the seatback frame and the seatback cover (with pad).

15. REMOVE REAR SEATBACK COVER W/PAD LH

- (a) Remove the seatback cover (with pad) from the rear seatback frame.

16. REMOVE REAR SEATBACK COVER W/PAD RH

- (a) Remove the seatback cover (with pad) from the rear seatback frame.



17. REMOVE REAR SEATBACK LOCK ASSY LH

- (a) Remove the 2 bolts and seatback lock.

18. REMOVE REAR SEATBACK LOCK ASSY RH

- (a) Remove the 2 bolts and seatback lock.

19. REMOVE REAR SEAT BELT ASSY OUTER CENTER

- (a) Remove the nut and seat belt.

20. INSTALL REAR SEAT BELT ASSY OUTER CENTER

- (a) Install the seat belt with the nut.

Torque: 42 N·m (428 kgf·cm, 31 ft·lbf)

21. INSTALL REAR SEATBACK COVER W/PAD LH

- (a) Install the seatback cover (with pad) to the seatback frame.

NOTICE:

Do not damage or contaminate the seatback cover (with pad).

22. INSTALL REAR SEATBACK COVER W/PAD RH

HINT:

Use the same procedures described for the LH side.

23. INSTALL CHILD RESTRAINT SEAT ANCHOR BRACKET SUB-ASSY

- (a) Install the anchor bracket with the 4 bolts.

Torque: 42 N·m (428 kgf·cm, 31 ft·lbf)

24. INSTALL REAR SEATBACK HINGE SUB-ASSY LH

- (a) Install the seatback hinge with the bolt.

Torque: 42 N·m (428 kgf·cm, 31 ft·lbf)

25. INSTALL REAR SEATBACK HINGE SUB-ASSY RH

- (a) Install the seatback hinge with the bolt.

Torque: 42 N·m (428 kgf·cm, 31 ft·lbf)

26. INSTALL REAR SEATBACK LOCK STRIKER LH

- (a) Install the seatback lock striker with the 2 bolts.

Torque: 21 N·m (214 kgf·cm, 15 ft·lbf)

27. INSTALL REAR SEATBACK LOCK STRIKER RH

- (a) Install the seatback lock striker with the 2 bolts and nut.

Torque: 21 N·m (214 kgf·cm, 15 ft·lbf)

28. INSTALL REAR SEATBACK ASSY LH

- (a) Install the seatback assy with the 2 bolts.

Torque: 37 N·m (377 kgf·cm, 27 ft·lbf)

29. INSTALL REAR SEATBACK ASSY RH

- (a) Install the seatback assy with the 2 bolts.

Torque: 37 N·m (377 kgf·cm, 27 ft·lbf)