

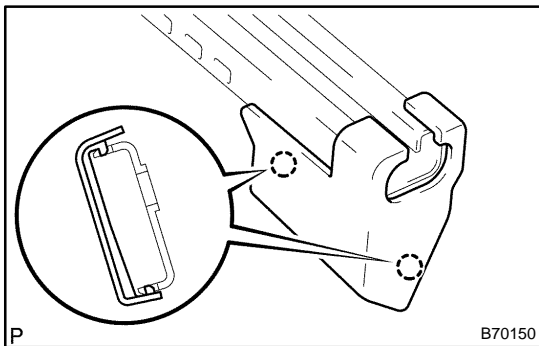
REPLACEMENT

HINT:

- The installation procedures are the removal procedures in reverse order. However, only installation procedures requiring additional information are included.
- Use the same procedures for the RH side and LH side.

CAUTION:

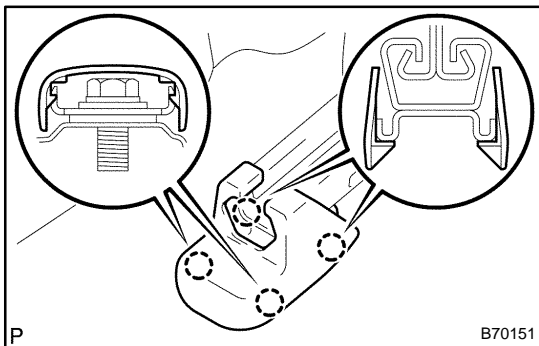
- **Wear safety gloves because the cutting surface of the seatback frame and seat adjuster may injure your hand.**
- **Work must be started more than 90 seconds after the ignition switch is turned to the LOCK position and the negative (-) terminal cable is disconnected from the battery.**
(The SRS is equipped with a back-up power source. If work is started within 90 seconds from disconnecting the negative (-) terminal cable of the battery, the SRS may deploy.)



- 1. REMOVE SEAT TRACK BRACKET COVER INNER LH**
 - Using a screwdriver, disengage the 2 claws and remove the seat track cover.

HINT:

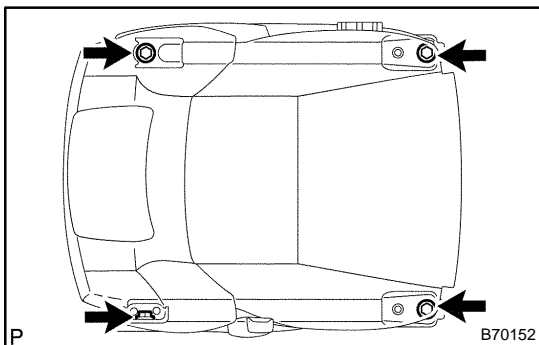
Tape the screwdriver tip before use.



- 2. REMOVE SEAT TRACK OUTER COVER LH**
 - Using a screwdriver, disengage the 4 claws and remove the seat track cover.

HINT:

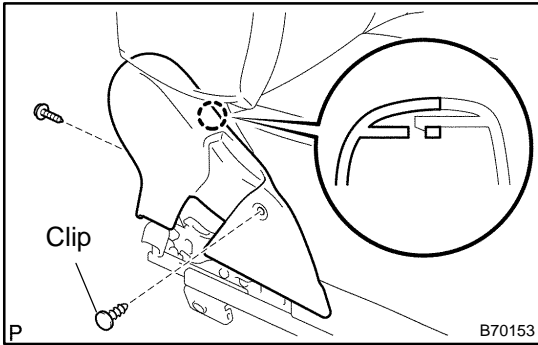
Tape the screwdriver tip before use.



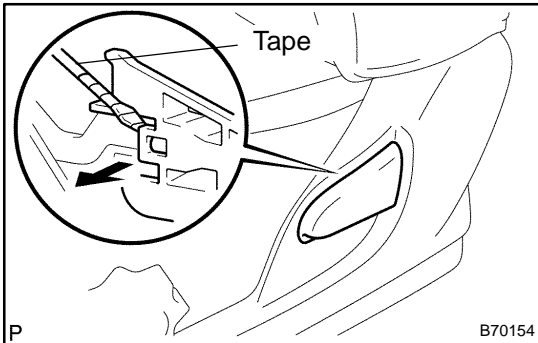
- 3. REMOVE FRONT SEAT ASSY LH**
 - Remove the 4 bolts.
 - Disconnect the connectors.
 - Remove the seat.

- 4. REMOVE FRONT SEAT HEADREST ASSY**

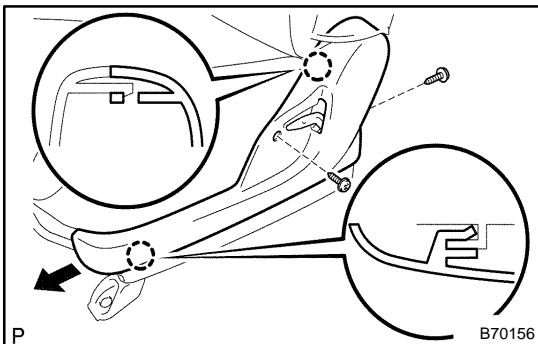
- 5. REMOVE FRONT SEAT INNER BELT ASSY LH**
 - Disconnect the wire harness of the inner belt from the seat adjuster.
 - Remove the bolt and inner belt.



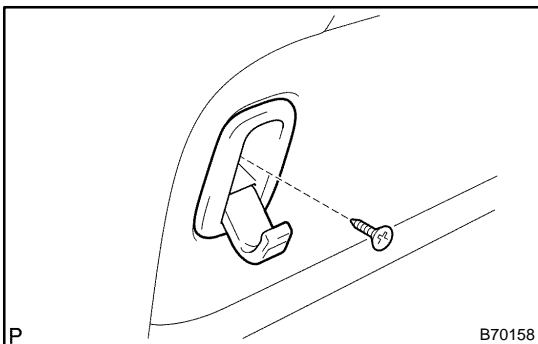
- 6. REMOVE FRONT SEAT CUSHION SHIELD INNER LH**
- Remove the clip and screw.
 - Disengage the claw and remove the seat cushion shield.



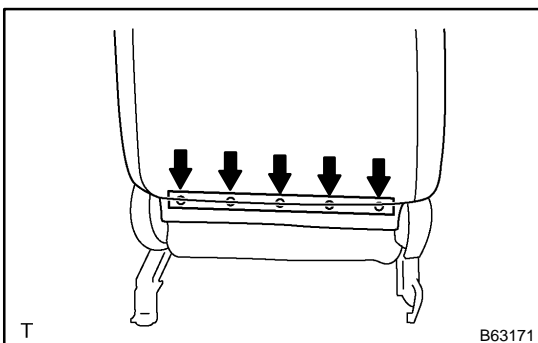
- 7. REMOVE RECLINING ADJUSTER RELEASE HANDLE LH**
- Using a screwdriver, remove the reclining release handle.
- HINT:**
Tape the screwdriver tip before use.



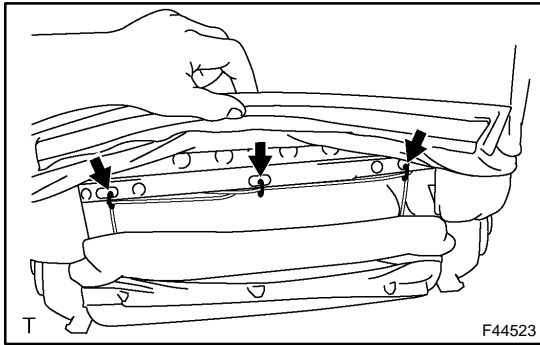
- 8. REMOVE FRONT SEAT CUSHION SHIELD LH**
- Remove the 2 screws.
 - Disengage the 2 claws and remove the seat cushion shield.



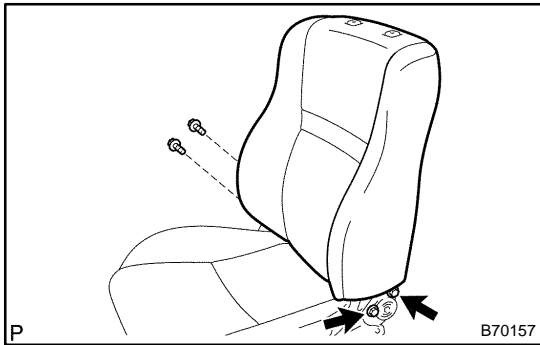
- 9. w/ Seat hook:
REMOVE FRONT SEAT BACK HOOK**
- Remove the screw and seatback hook.



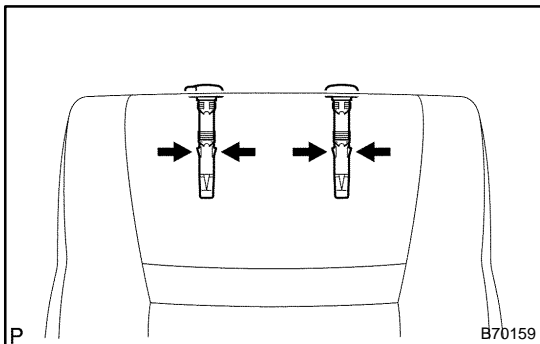
- 10. REMOVE FRONT SEATBACK ASSY LH**
- Remove the hog rings.



- (b) Lift up the seatback cover and remove the hog rings.

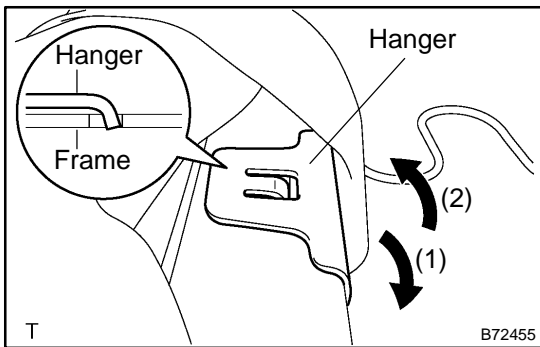


- (c) Disconnect the clamps.
(d) Remove the 4 bolts and seatback.



11. REMOVE FRONT SEAT HEADREST SUPPORT

- (a) Lift up the seatback cover to the top, then disengage the 4 claws and remove the 2 headrest supports.



12. REMOVE FRONT SEATBACK SPRING ASSY

- (a) w/ Side airbag:
Using a screwdriver, pry out the hanger.

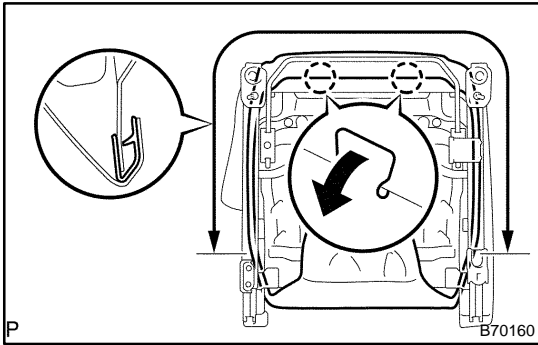
NOTICE:

Take care not to damage the airbag.

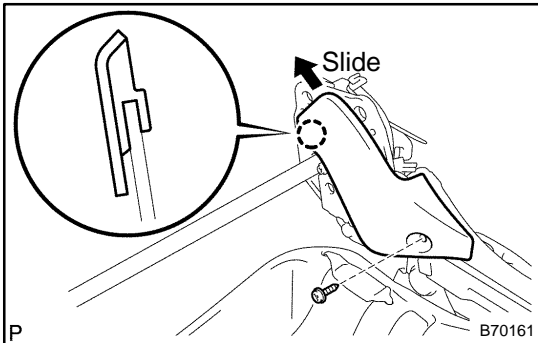
- (b) Remove the hog rings and seatback spring.

13. REMOVE FRONT SEATBACK COVER LH

- (a) Remove the hog rings and remove the seatback cover.

**14. REMOVE FRONT SEAT CUSHION COVER LH**

- (a) Remove the hog rings.
- (b) Disengage the claw of the front part of the seat adjuster.
- (c) Disengage the hook and remove the seat cushion cover (with pad).
- (d) Remove the hog rings and seat cushion cover.

**15. REMOVE RECLINING ADJUSTER INSIDE COVER LH**

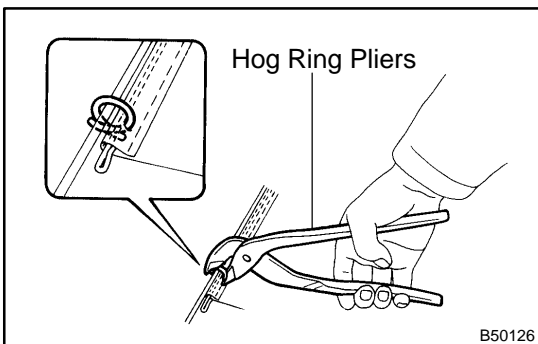
- (a) Remove the screw and adjuster inside cover.

16. REMOVE RECLINING ADJUSTER INSIDE COVER LH

- (a) Remove the screw and adjuster inside cover.

17. REMOVE SEAT POSITION AIR BAG SENSOR

(See page 60-39)

**18. INSTALL FRONT SEAT CUSHION COVER LH**

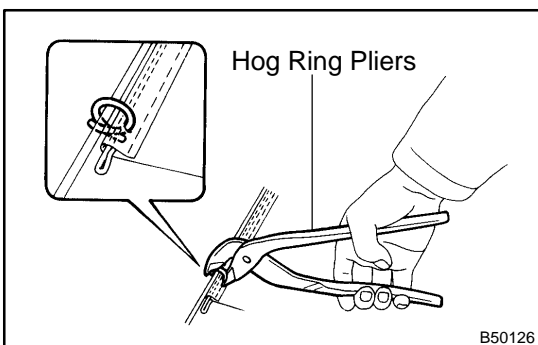
- (a) Install the seat cushion cover to the seat cushion pad with new hog rings.
- (b) Install the seat cushion cover (with pad) to the seat adjuster.

NOTICE:

Do not damage or contaminate the seat cushion cover.

HINT:

When installing the hog rings, take care to prevent wrinkles as much as possible.

**19. INSTALL FRONT SEATBACK COVER LH**

- (a) Install the seatback cover to the seatback pad with new hog rings.
- (b) Install the seatback cover (with pad) to the front seatback frame.

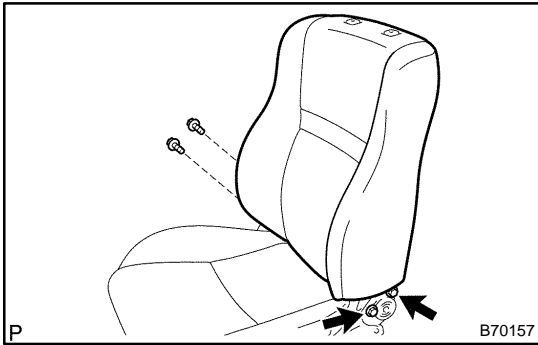
NOTICE:

Do not damage or contaminate the seat cushion cover.

HINT:

When installing the hog rings, take care to prevent wrinkles as much as possible.

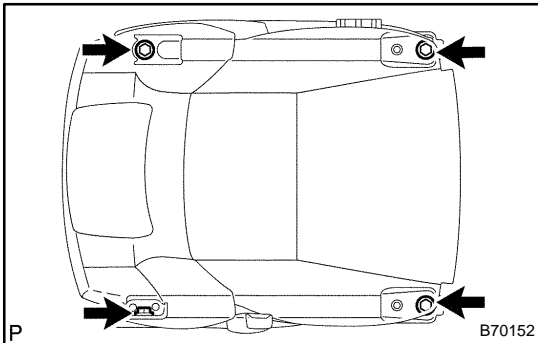
- (c) Install the 2 headrest supports.

**20. INSTALL FRONT SEATBACK ASSY LH**

- (a) Install the seatback with the 4 bolts.
Torque: 43 N·m (440 kgf·cm, 32 ft·lbf)
- (b) Install new hog rings to the backside of the seatback.
- (c) Install the headrest.

21. INSTALL FRONT SEAT INNER BELT ASSY LH

Torque: 41 N·m (418 kgf·cm, 30 ft·lbf)

**22. INSTALL FRONT SEAT ASSY LH**

- (a) Put the seat on the cabin.
- (b) Connect the connectors.
- (c) Install the 4 bolts.
Torque: 37 N·m (375 kgf·cm, 27 ft·lbf)
- (d) Install the inner and outer seat track covers.