

INSTRUMENT PANEL SUB-ASSY REPLACEMENT

710HK-01

HINT:

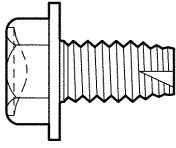
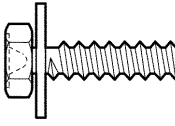
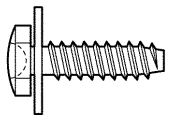
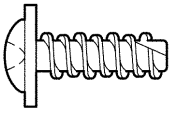
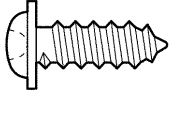
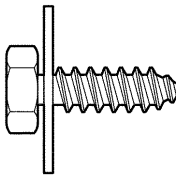
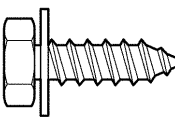
COMPONENTS: See page 71-7

1. TABLE OF BOLT, SCREW AND NUT

HINT:

The bolts, screws and nuts necessary for installation and removal of the instrument panel, are illustrated below and alphabetically coded.

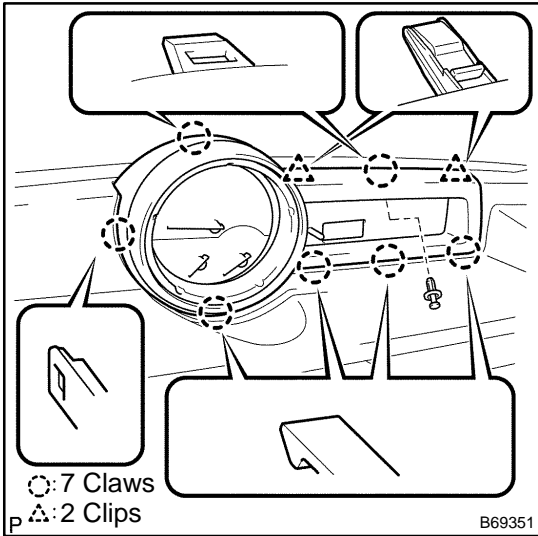
mm (in.) (L = Length)

Code	Shape	Code	Shape	Code	Shape
<A>	 <p>$\phi = 8$ (0.31) L = 15 (0.59)</p> <p>90105-08120</p>		 <p>$\phi = 5$ (0.20) L = 25 (0.98)</p> <p>90159-50083</p>	<C>	 <p>$\phi = 5$ (0.20) L = 16 (0.63)</p> <p>E61754 90159-50068</p>
<D>	 <p>$\phi = 5$ (0.20) L = 14 (0.55)</p> <p>B57921 93568-15014</p>	<E>	 <p>$\phi = 4$ (0.16) L = 14 (0.55)</p> <p>93560-14014</p>	<F>	 <p>$\phi = 6$ (0.24) L = 25 (0.98)</p> <p>B52926 90159-60215</p>
<G>	 <p>$\phi = 6$ (0.24) L = 16 (0.63)</p> <p>B55953 90159-60200</p>				

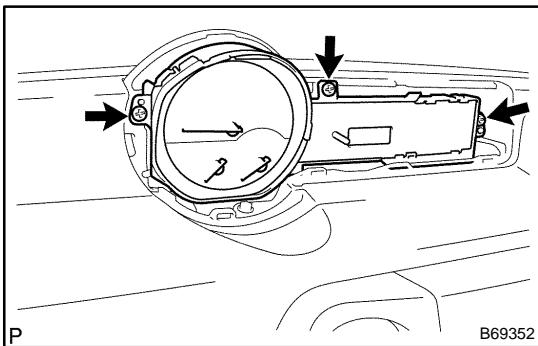
P

B69919

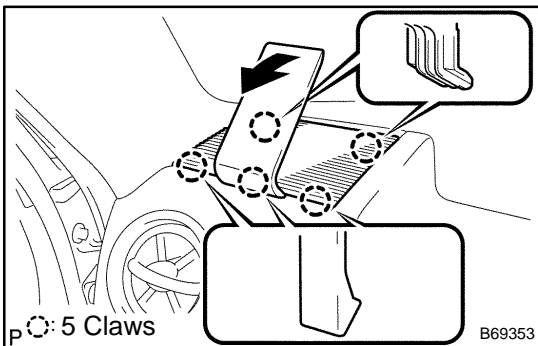
2. DISCONNECT BATTERY NEGATIVE TERMINAL (See page 60-1)



- 3. REMOVE INSTRUMENT CLUSTER FINISH PANEL**
 - (a) Remove the clip.
 - (b) Disengage the 7 claws and the 2 clips, and remove the instrument cluster finish panel.

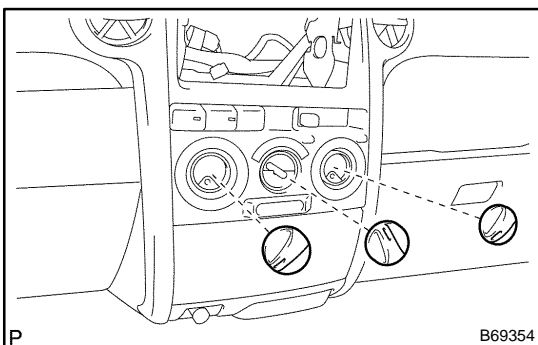


- 4. REMOVE COMBINATION METER ASSY**
 - (a) Remove the 3 screws <C>.
 - (b) Disconnect the connector, and then remove the combination meter assy.

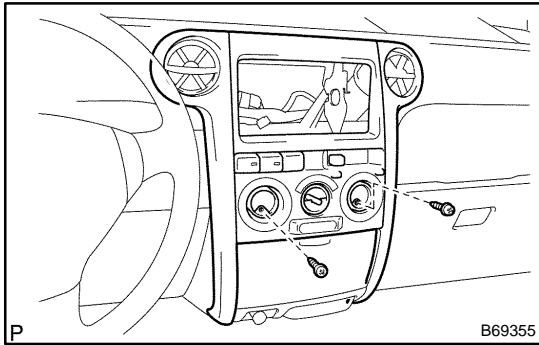


- 5. REMOVE INSTRUMENT PANEL SPEAKER PANEL SUB-ASSY NO.2**
 - (a) Using a moulding remover, disengage the 5 claws and remove the instrument panel speaker panel sub-assy No.2.

- 6. REMOVE INSTRUMENT PANEL SPEAKER PANEL SUB-ASSY NO.1**
- 7. REMOVE FRONT NO.2 SPEAKER ASSY (See page 67-9)**

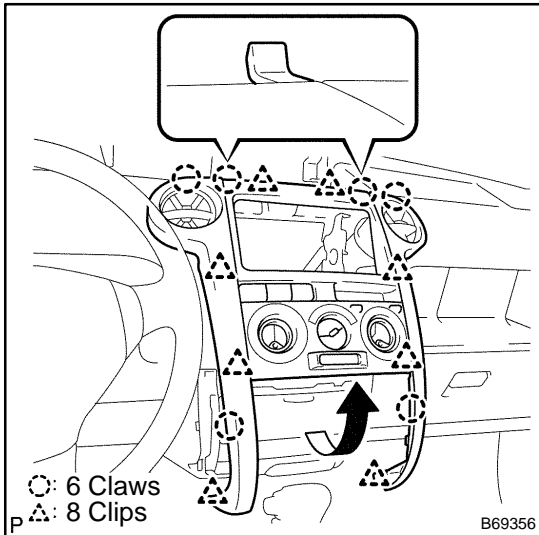


- 8. REMOVE HEATER CONTROL KNOB**
 - (a) Remove the 3 heater control knobs.

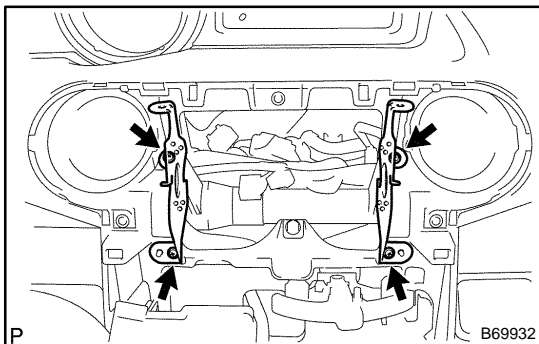


9. REMOVE INSTRUMENT CLUSTER FINISH PANEL SUB-ASSY CTR

- (a) Remove the 2 screws <E>.



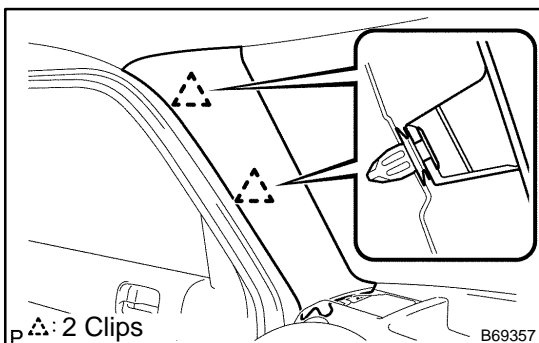
- (b) Disengage the 8 clips and the 6 claws, and remove the instrument cluster finish panel sub-assy CTR.



10. REMOVE RADIO BRACKET NO. 1 & NO. 2 (W/O RADIO)

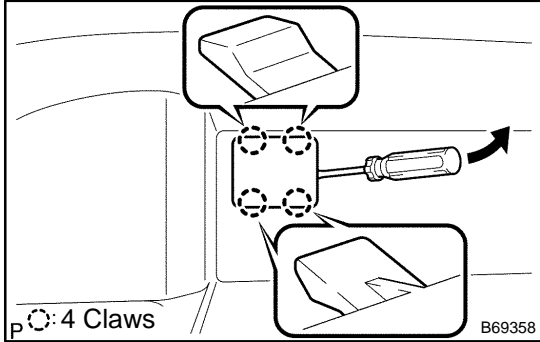
- (a) Remove the 4 screws and the radio bracket No.1 & No.2.

11. REMOVE RADIO RECEIVER ASSEMBLY W/BRACKET (W/ RADIO) (See page 67-6)

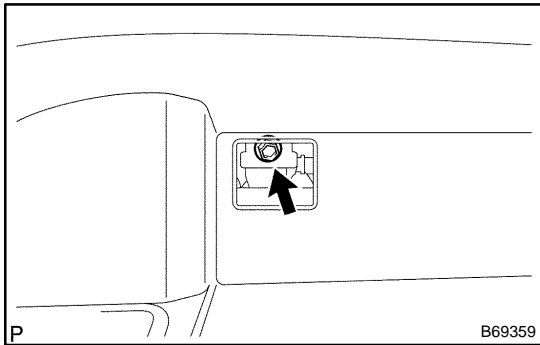


12. REMOVE FRONT PILLAR GARNISH LH

- (a) Disengage the 2 clips, and remove the front pillar garnish LH.

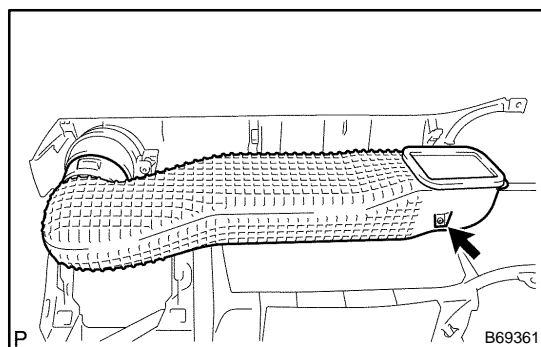
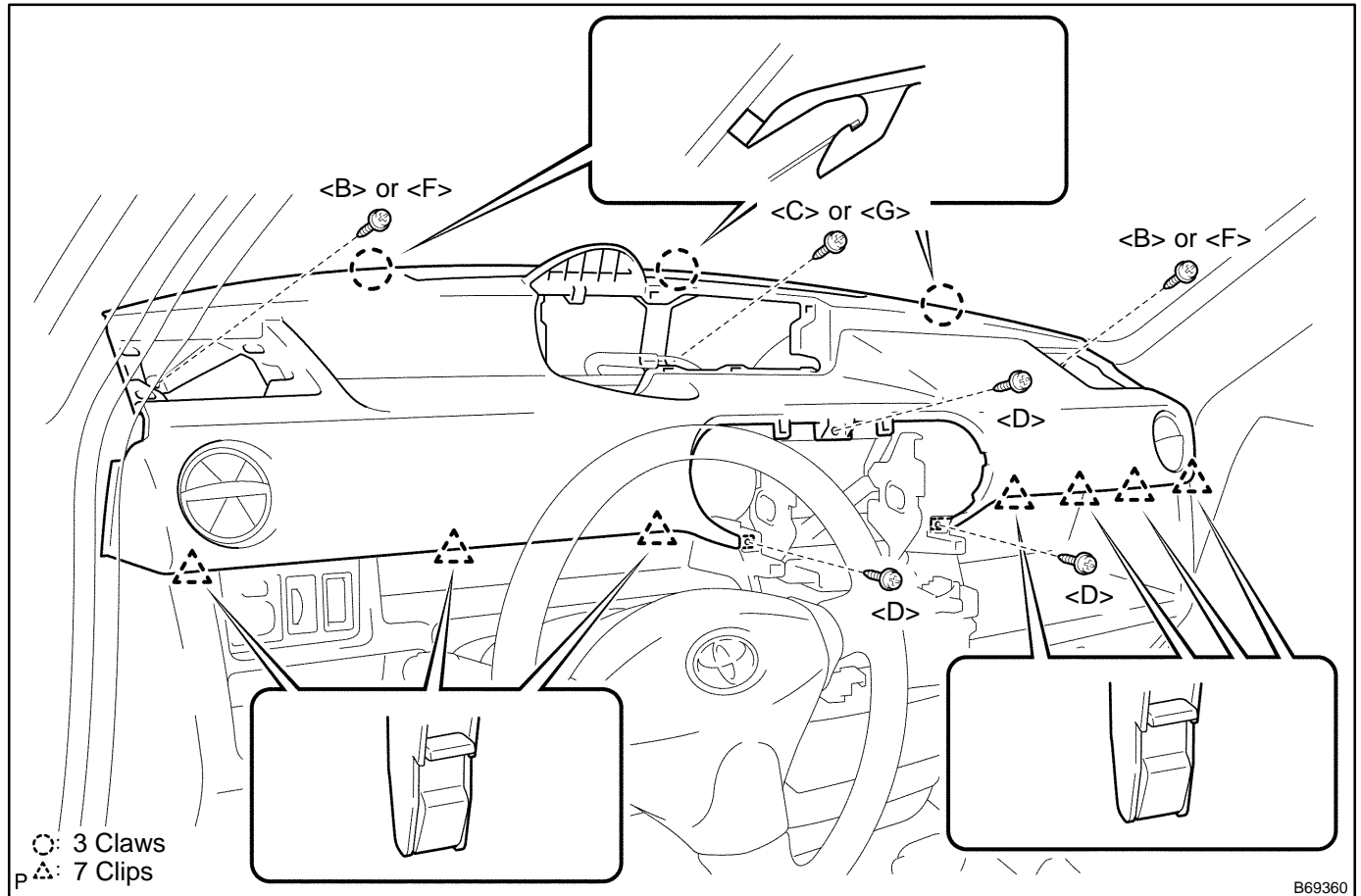
13. REMOVE FRONT PILLAR GARNISH RH

- 14. REMOVE INSTRUMENT PANEL HOLE COVER NO.3**
 (a) Disengage the 4 claws, and remove the instrument panel hole cover No.3.

15. DISCONNECT PASSENGER AIRBAG CONNECTOR (See page 60-25)

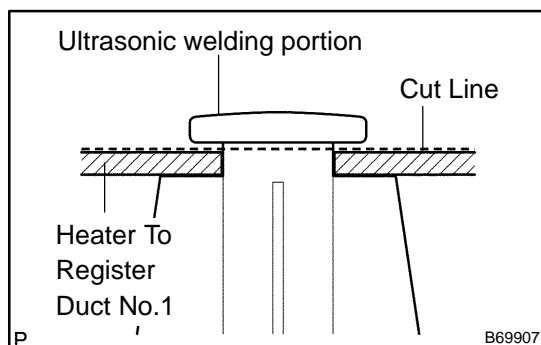
- 16. REMOVE INSTRUMENT PANEL SUB-ASSY W/PASSENGER AIRBAG ASSY**
 (a) Remove the bolt <A>.

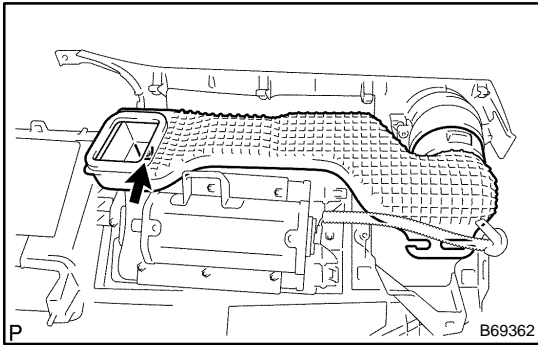
- (b) Remove the 6 screws.
- (c) Disengage the 7 clips and the 3 claws.
- (d) Disconnect the connectors.
- (e) Pull the instrument panel sub-assy w/ passenger airbag assy and remove.



17. REMOVE HEATER TO REGISTER DUCT NO.1

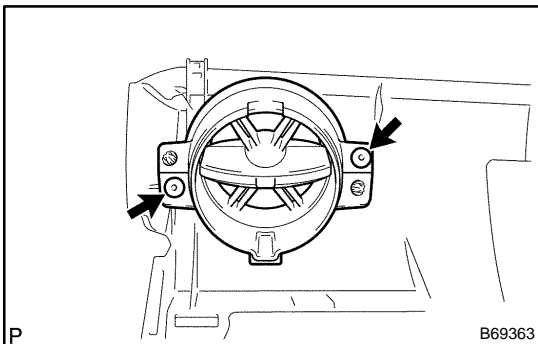
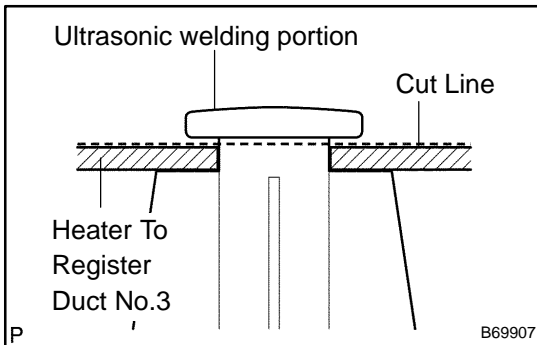
- (a) Using nippers etc., cut off the ultrasonic welding portion as shown in the illustration to remove the heater to register duct No.1 from the instrument panel sub-assy.





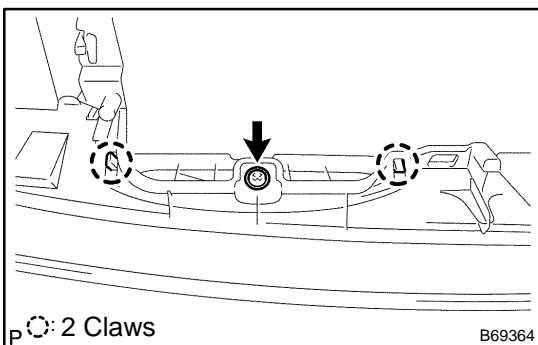
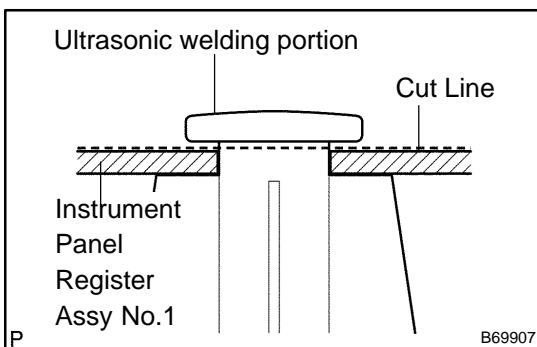
18. REMOVE HEATER TO REGISTER DUCT NO.3

- (a) Using nippers etc., cut off the ultrasonic welding portion as shown in the illustration to remove the heater to register duct No.3 from the instrument panel sub-assy.



19. REMOVE INSTRUMENT PANEL REGISTER ASSY NO.1

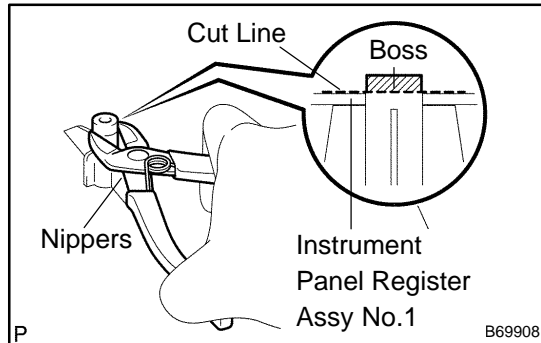
- (a) Using nippers etc., cut off the ultrasonic welding portion as shown in the illustration to remove the instrument panel register assy No.1 from the instrument panel sub-assy.



20. REMOVE INSTRUMENT CLUSTER FINISH PANEL END

- (a) Remove the screw <D>.
 (b) Disengage the 2 claws, and remove the instrument cluster finish panel end.

21. REMOVE INSTRUMENT PANEL PASSENGER AIR BAG ASSY (See page 60-25)
22. REMOVE INSTRUMENT PANEL CUSHION NO.1
 - (a) Remove the instrument panel cushion No.1 from the instrument panel sub-assy.
23. REMOVE INSTRUMENT PANEL SUB-ASSY

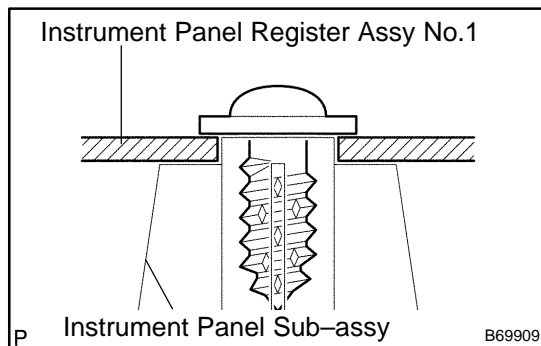


24. INSTALL INSTRUMENT PANEL REGISTER ASSY NO.1

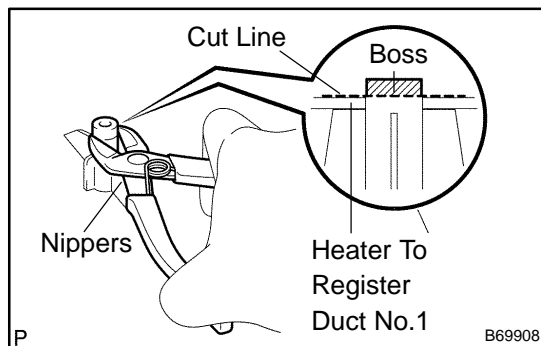
- (a) When replacing the instrument panel sub-assy with a new one, cut the boss off using nippers, etc. as shown in the illustration.

NOTICE:

When reusing the instrument panel sub-assy, start from step (b).



- (b) Using a screw, install the instrument panel register assy No.1 to the instrument panel sub-assy.

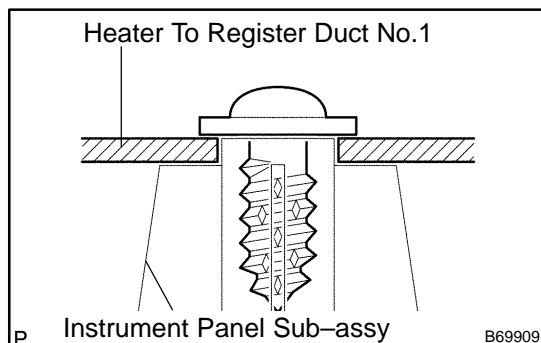


25. INSTALL HEATER TO REGISTER DUCT NO.1

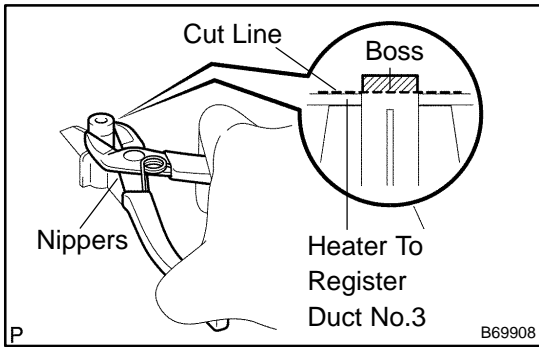
- (a) When replacing the instrument panel sub-assy with a new one, cut the boss off using nippers, etc. as shown in the illustration.

NOTICE:

When reusing the instrument panel sub-assy, start from step (b).



- (b) Using a screw, install the heater to register duct No.1 to the instrument panel sub-assy.

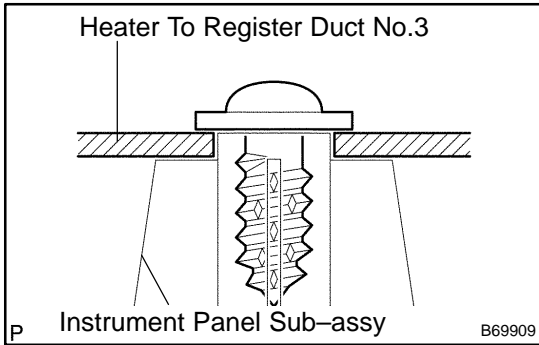


26. INSTALL HEATER TO REGISTER DUCT NO.3

- (a) When replacing the instrument panel sub-assy with a new one, cut the boss off using nippers, etc. as shown in the illustration.

NOTICE:

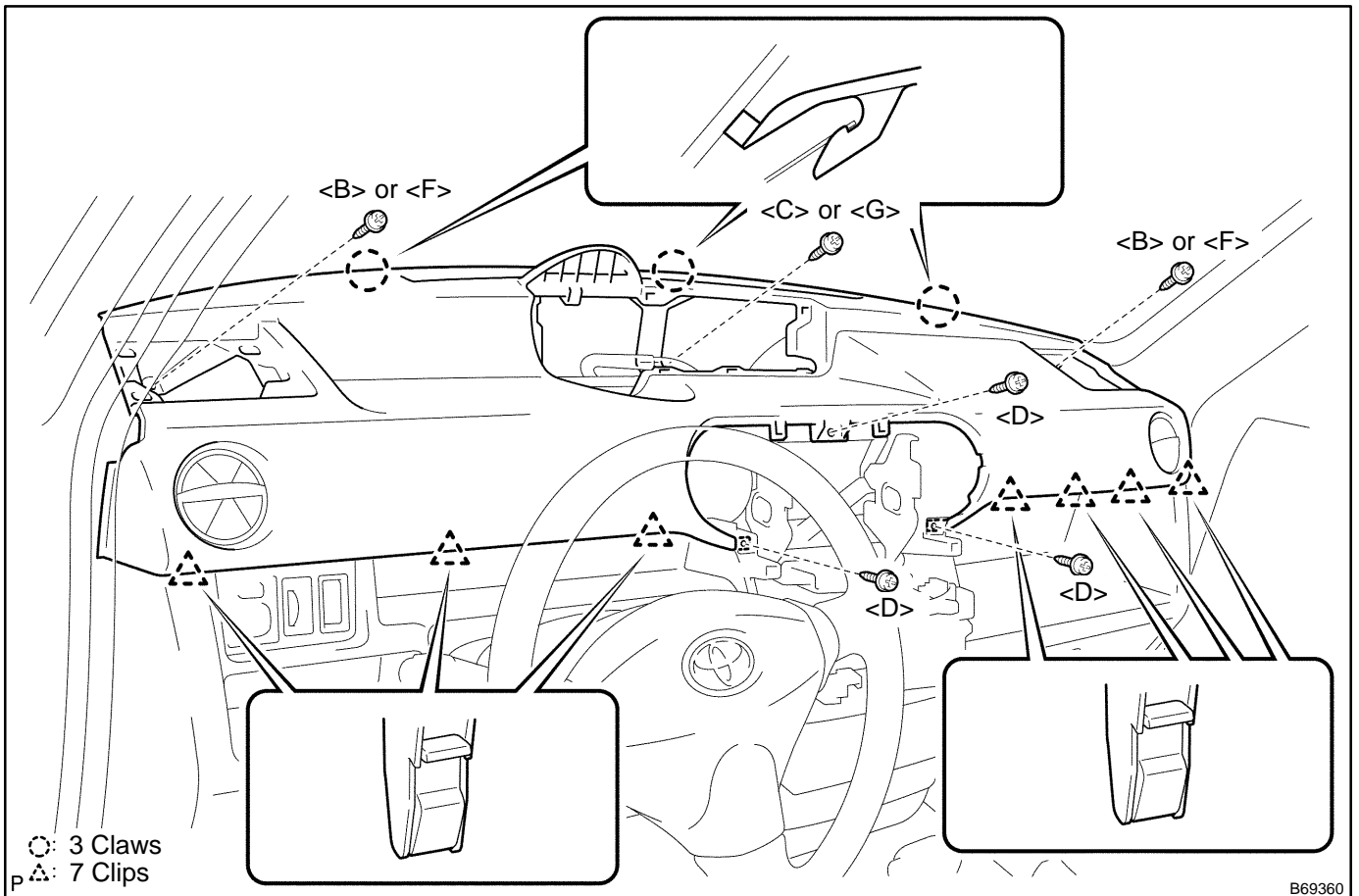
When reusing the instrument panel sub-assy, start from step (b).

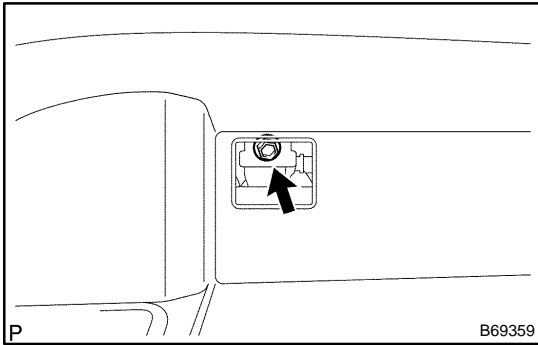


- (b) Using a screw, install the heater to register duct No.3 to the instrument panel sub-assy.

27. INSTALL INSTRUMENT PANEL SUB-ASSY W/PASSENGER AIRBAG ASSY

- (a) Install the instrument panel sub-assy w/ passenger air-bag assy with the 6 screws.





- (b) Using a torque wrench, install the bolt <A>.
Torque: 18 N·m (184 kgf·cm, 13 ft·lbf)

28. INSPECT SRS WARNING LIGHT (See page [05-451](#))