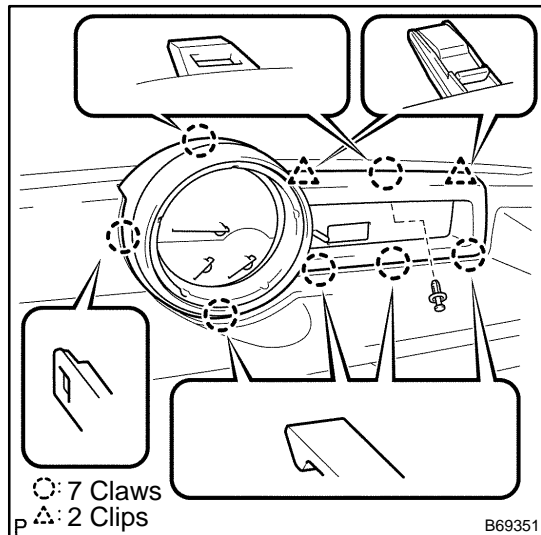


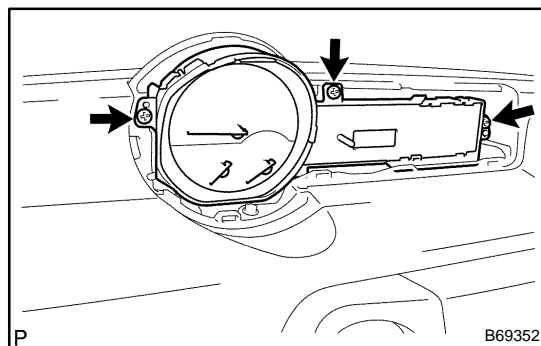
COMBINATION METER ASSY OVERHAUL

NOTICE:

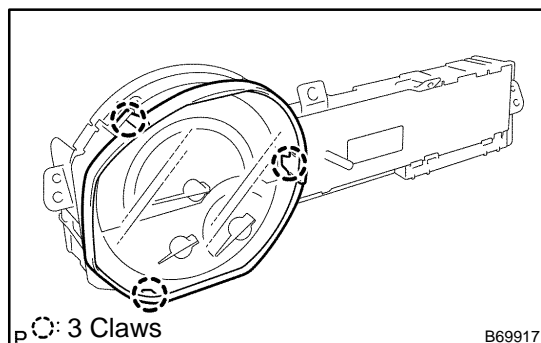
When disassembling combination meter assy, measures should be taken to prevent static electricity from damaging the system.



1. **REMOVE INSTRUMENT CLUSTER FINISH PANEL**
 - (a) Remove the clip.
 - (b) Disengage the 7 claws and the 2 clips, and remove the instrument cluster finish panel.



2. **REMOVE COMBINATION METER ASSY**
 - (a) Remove the 3 screws.
 - (b) Disconnect the connector, and then remove the combination meter assy.



3. **REMOVE COMBINATION METER GLASS**
 - (a) Disengage the 3 claws, and remove the combination meter glass.

4. REMOVE COMBINATION METER COVER NO.1

- (a) Disengage the 6 claws, and remove the combination meter cover No.1.