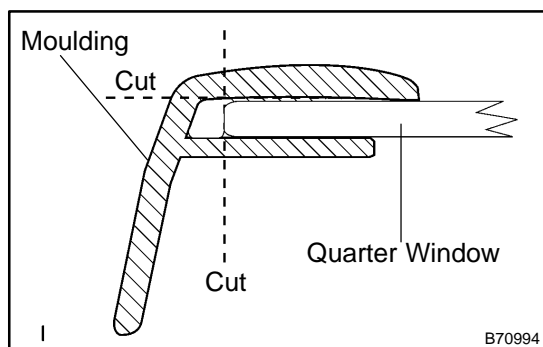


REPLACEMENT

HINT:

- The installation procedures are the removal procedures in reverse order. However, only installation procedures requiring additional information are included.
 - Use the same procedures for the RH side and LH side.
1. **REMOVE REAR SEAT BACK ASSY RH (See page 72-8)**
 2. **REMOVE REAR SEAT BACK ASSY LH (See page 72-8)**
 3. **REMOVE REAR SEAT CUSHION W/COVER PAD SUB-ASSY (See page 72-8)**
 4. **REMOVE CHILD RESTRAINT SEAT ANCHOR BRACKET SUB-ASSY RH (See page 72-8)**
 5. **REMOVE REAR SEAT BACK HINGE SUB-ASSY RH (See page 72-8)**
 6. **REMOVE ROOF SIDE GARNISH INNER RH (See page 76-15)**
 - (a) Remove the rear door scuff plate RH.
 - (b) Remove the rear door opening trim RH.
 - (c) Remove the deck board No. 2.
 - (d) Remove the deck board No. 1.
 - (e) Remove the deck trim cover rear.
 - (f) Remove the deck floor box RH and LH.
 - (g) Remove the deck trim side panel RH
 - (h) Remove the roof side garnish inner RH.



7. REMOVE QUARTER WINDOW ASSY RH

- (a) Using a knife, cut off the moulding, as shown in the illustration.

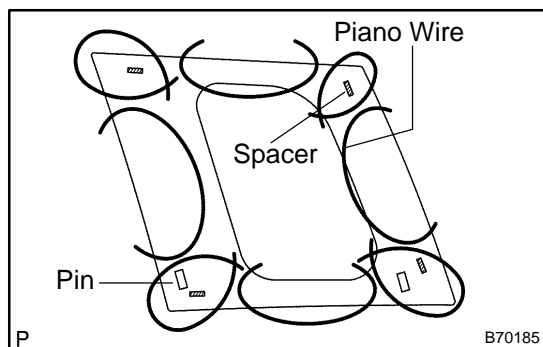
NOTICE:

Do not damage the body with the knife.

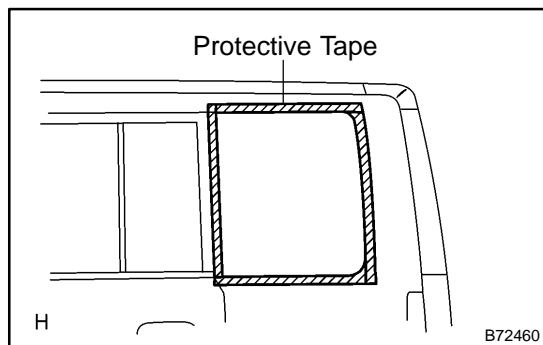
- (b) Remove the remaining moulding.

HINT:

Make a partial cut in the moulding. Then, pull and remove it by hand.



- (c) From the interior, insert piano wires between the vehicle body and glass, as shown in the illustration.
- (d) Tie object that can serve as handles (for example, wooden blocks) to all wire ends.



HINT:

Apply protective tape to the outer surface of the vehicle to prevent its surface from being scratched.

NOTICE:

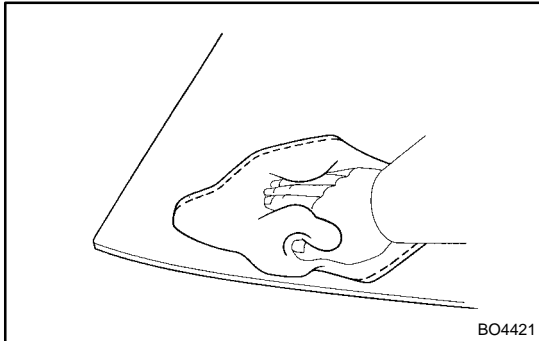
When separating the glass from the vehicle, take care not to damage the vehicle's paint and interior and exterior ornaments.

- (e) Cut the glass by pulling the piano wire around the glass.

(f) Remove the glass.

NOTICE:

Leave as much adhesive on the body as possible when removing the glass.

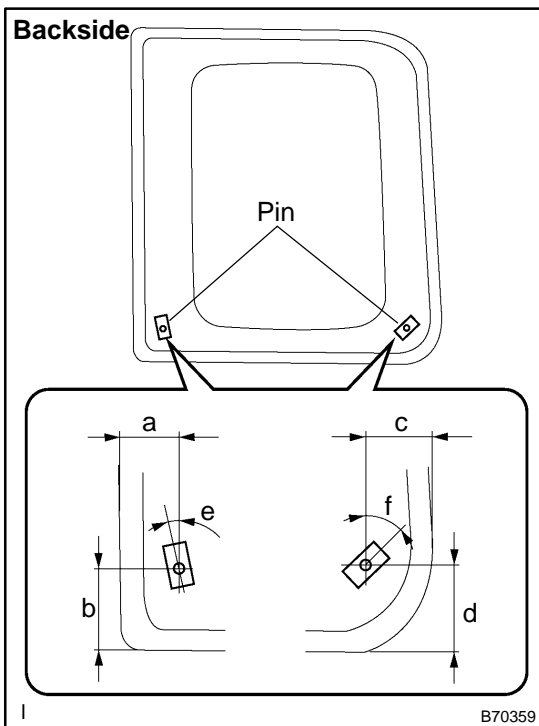


8. CLEAN QUARTER WINDOW ASSY RH

(a) Clean the outer circumference of the glass with white gasoline.

NOTICE:

- Do not touch the glass surface after cleaning it.
- Be careful not to damage the glass.



9. INSTALL QUARTER WINDOW GUIDE PIECE PIN NO.1

(a) Using a brush or sponge, coat the edge of the glass and the contact surface with Primer G.

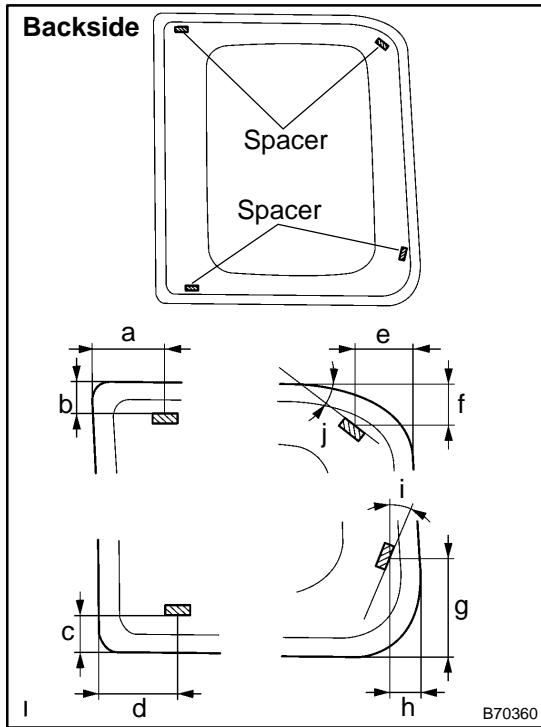
(b) Install new pins.

NOTICE:

- Allow the primer coating to dry for 3 minutes or more.
- Throw away any leftover Primer G.
- Do not apply too much primer.

Specification:

Area	Measurement
a	40.0 mm (1.575 in.)
b	40.0 mm (1.575 in.)
c	37.0 mm (1.457 in.)
d	42.0 mm (1.654 in.)
e	11°
f	46.4°



10. INSTALL QUARTER WINDOW GLASS SPACER

- (a) Using a brush or sponge, coat the edge of the glass and the contact surface with Primer G.
- (b) Install new spacers.

NOTICE:

- Allow the primer coating to dry for 3 minutes or more.
- Throw away any leftover Primer G.
- Do not apply too much primer.

Specification:

Area	Measurement
a	41.0 mm (1.614 in.)
b	19.0 mm (0.748 in.)
c	20.0 mm (0.787 in.)
d	45.0 mm (1.772 in.)
e	28.0 mm (1.102 in.)
f	23.0 mm (0.906 in.)
g	63.0 mm (2.480 in.)
h	21.0 mm (0.827 in.)
i	4°
j	31°

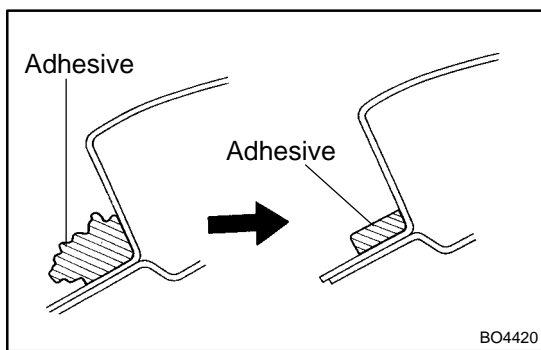
11. INSTALL QUARTER WINDOW MOULDING RH

- (a) Using a brush or sponge, coat the edge of the glass and the contact surface with Primer G.

NOTICE:

- Allow the primer coating to dry for 3 minutes or more.
- Do not coat the adhesive with Primer G.
- Throw away any leftover Primer G.

- (b) Install the moulding.



12. INSTALL QUARTER WINDOW ASSY RH

- (a) Clean and shape the contact surface of the vehicle body.
 - (1) Using a knife, cut away any excess or unneeded adhesive on the contact surface.

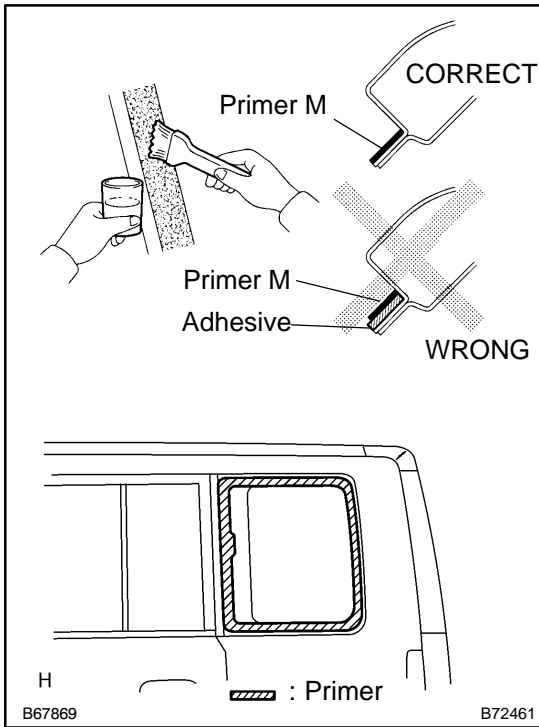
HINT:

Leave as much adhesive on the body as possible.

- (2) Clean the contact surface of the body with a piece of shop rag saturated with cleaner.

HINT:

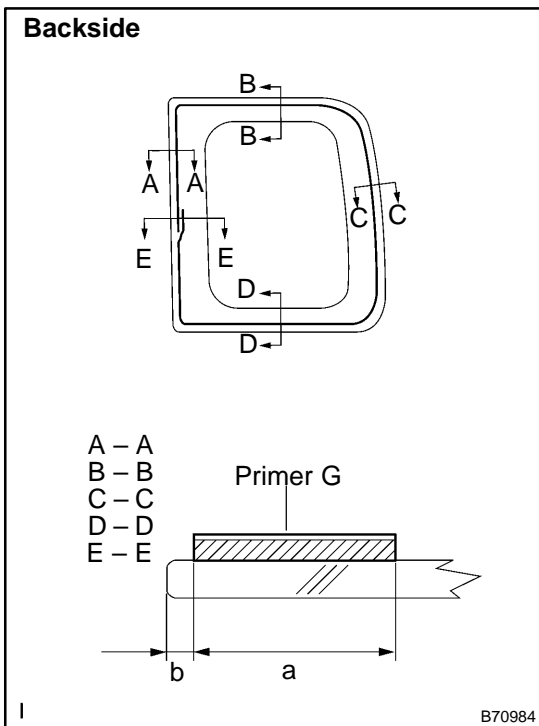
Even if all the adhesive is removed, continue cleaning the vehicle body.



(b) Using a brush, coat the contact surface of the vehicle body with Primer M.

NOTICE:

- Allow the primer coating to dry for 3 minutes or more.
- Do not coat the adhesive with Primer M.
- Throw away any leftover Primer M.



(c) Using a brush or sponge, coat the edge of the glass and the contact surface with Primer G.

Specification:

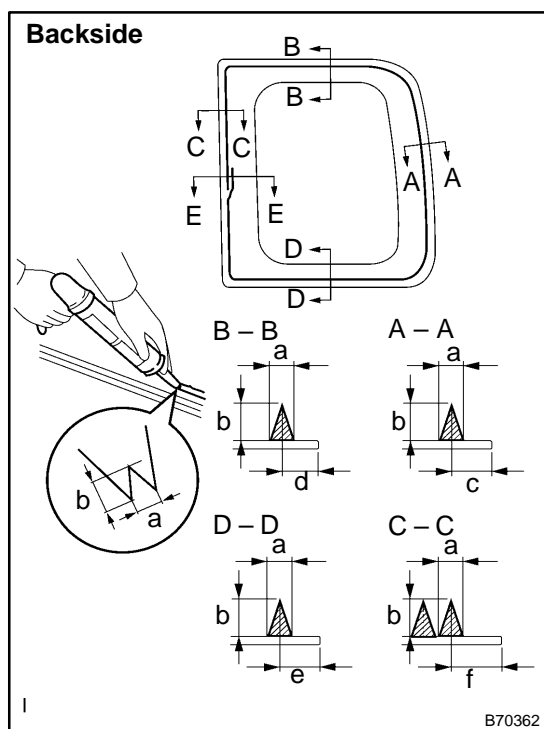
Item		Measurement
A - A	a	14.0 mm (0.551 in.)
	b	8.6 mm (0.338 in.)
B - B	a	14.0 mm (0.551 in.)
	b	5.0 mm (0.197 in.)
C - C, D - D	a	14.0 mm (0.551 in.)
	b	6.0 mm (0.236 in.)
E - E	a	22.0 mm (0.866 in.)
	b	8.6 mm (0.339 in.)

HINT:

If Primer G is accidentally applied to another part of the vehicle, wipe off the primer with a clean shop rag before it dries.

NOTICE:

- Allow the primer coating to dry for 3 minutes or more.
- Throw away any leftover Primer G.
- Do not apply too much primer.



(d) Apply adhesive.

Adhesive: Part No. 08850-00801 or equivalent

- (1) Cut off the tip of the cartridge nozzle, as shown in the illustration.

HINT:

After cutting off the tip, use all adhesive within the time described in the table below.

Usage Timeframe:

Temperature	Usage Timeframe
35°C (95°F)	15 minutes
20°C (68°F)	100 minutes
5°C (41°F)	8 hours

- (2) Load the sealer gun with the cartridge.
 (3) Coat the glass with adhesive, as shown in the illustration.

Specification:

Area	Measurement
a	8.0 mm (0.315 in.)
b	12.0 mm (0.472 in.)
c	13.0 mm (0.512 in.)
d	12.0 mm (0.472 in.)
e	13.0 mm (0.512 in.)
f	15.5 mm (0.610 in.)

(e) Install the glass to the body.

- (1) Hold the quarter window assy in place securely with protective tape or equivalent until the adhesive hardens.

NOTICE:

- Allow the primer coating to dry for 3 minutes or more.
 - Check that the clips are attached to the body correctly.
 - Check the clearance between the body and glass.
- (2) Lightly press the front surface of the glass to ensure a close fit.

- (3) Using a scraper, remove any excess or protruding adhesive.

HINT:

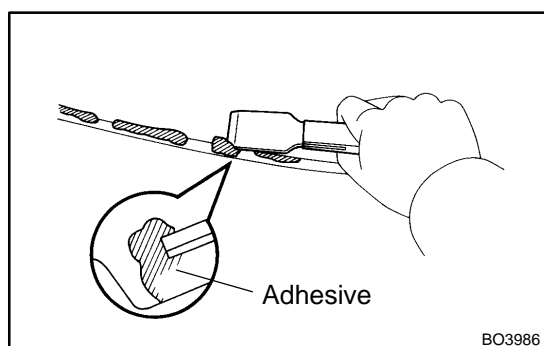
Apply adhesive onto the glass rim.

NOTICE:

Take care not to drive the vehicle for the time described in the table below.

Minimum time:

Temperature	Minimum time prior to driving vehicle
35°C (95°F)	1 hour 30 minutes
20°C (68°F)	5 hours
5°C (41°F)	24 hours



13. WATER-LEAK CHECK AND REPAIRMENT

- (a) Conduct a leak test after the adhesive has completely hardened.
- (b) Seal any leaks with auto glass sealer.