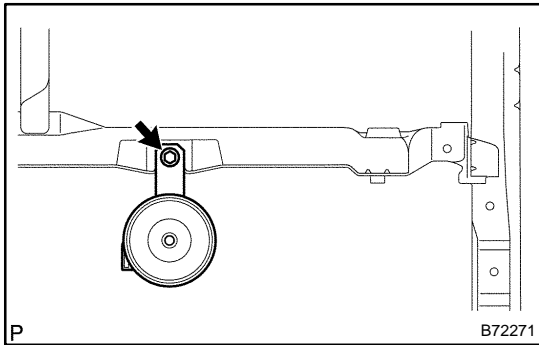


LOW PITCHED HORN ASSY REPLACEMENT

6908J-01

HINT:

The installation procedures are the removal procedures in reverse order. However, only installation procedures requiring additional information are included.

**1. REMOVE LOW PITCHED HORN ASSY**

- (a) Disconnect the connector.
- (b) Remove the bolt and horn.

2. INSTALL LOW PITCHED HORN ASSY

- (a) Attach the horn stay to the body panel and then install the horn with the bolt.

Torque: 19.5 N·m (199 kgf·cm, 14 ft·lbf)

- (b) Connect the connector.