

# HIGH PITCHED HORN ASSY REPLACEMENT

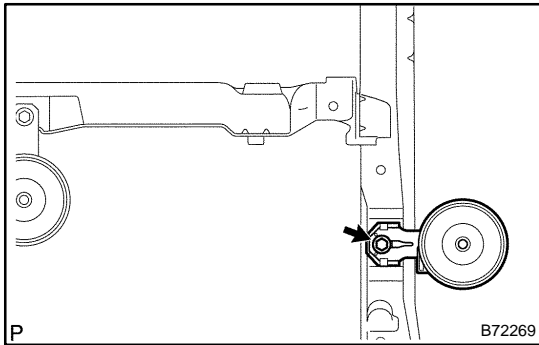
6908K-01

## HINT:

The installation procedures are the removal procedures in reverse order. However, only installation procedures requiring additional information are included.

### 1. REMOVE FRONT BUMPER COVER (See page 76-2)

- (a) Remove radiator grille.
- (b) Remove the front fender liner LH.
- (c) Remove the front fender liner RH.
- (d) Remove the radiator grille lower.
- (e) Remove the front bumper extension mounting bracket LH.
- (f) Remove the front bumper extension mounting bracket RH.
- (g) Remove the front bumper cover.



### 2. REMOVE HIGH PITCHED HORN ASSY

- (a) Disconnect the connector.
- (b) Remove the bolt and horn.

### 3. INSTALL HIGH PITCHED HORN ASSY

- (a) Attach the horn stay to the body panel and then install the horn with the bolt.

**Torque: 19.5 N·m (199 kgf·cm, 14 ft·lbf)**