

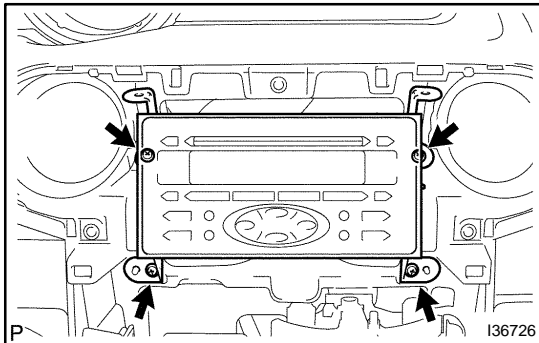
# RADIO RECEIVER ASSY REPLACEMENT

670VJ-01

HINT:

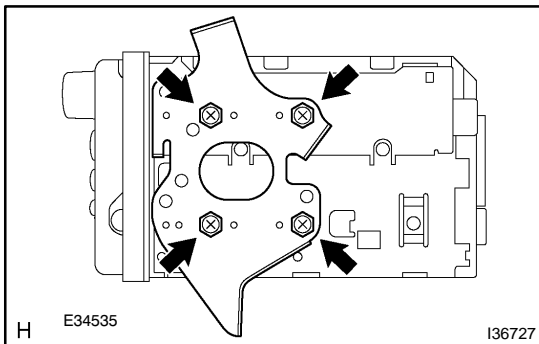
LOCATION: See page 67-1

1. **DISCONNECT BATTERY NEGATIVE TERMINAL** (See page 60-1)
2. **REMOVE INSTRUMENT CLUSTER FINISH PANEL SUB-ASSY CTR** (See page 71-12)



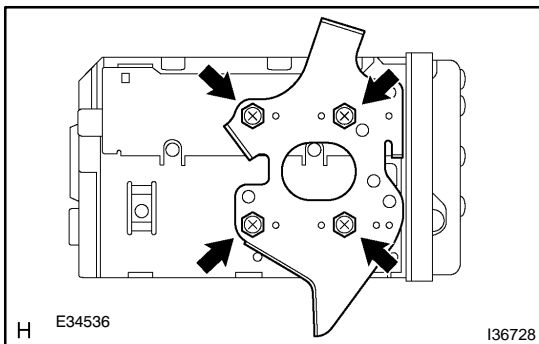
### 3. REMOVE RADIO RECEIVER ASSEMBLY W/BRACKET

- (a) Remove the 4 bolts.
- (b) Disconnect the connector.
- (c) Remove the radio receiver assembly w/ bracket.



### 4. REMOVE RADIO BRACKET NO.1

- (a) Remove the 4 screws and the radio bracket No.1.



### 5. REMOVE RADIO BRACKET NO.2

- (a) Remove the 4 screws and the radio bracket No.2.

### 6. REMOVE RADIO RECEIVER ASSY