

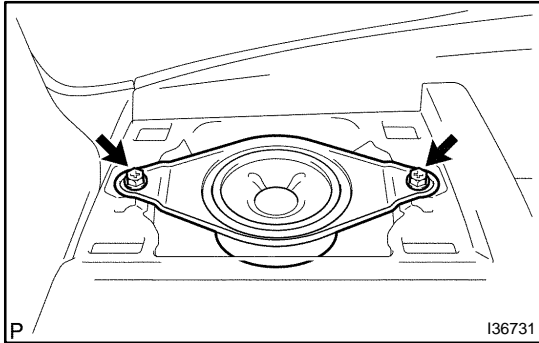
FRONT NO.2 SPEAKER ASSY REPLACEMENT

670VL-01

HINT:

LOCATION: See page 67-1

1. REMOVE INSTRUMENT PANEL SPEAKER PANEL SUB-ASSY NO.2 (See page 71-12)



2. REMOVE FRONT NO.2 SPEAKER ASSY

- (a) Remove the 2 bolts and the front No.2 speaker assy.
- (b) Disconnect the connector.