

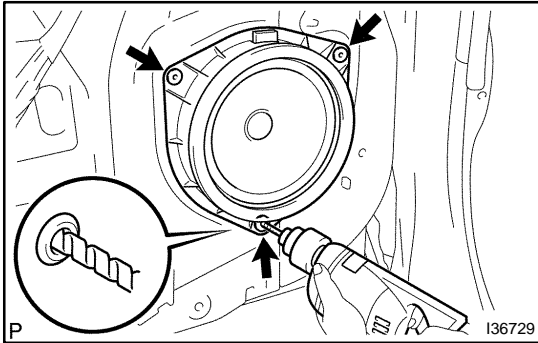
FRONT NO.1 SPEAKER ASSY REPLACEMENT

670VK-01

HINT:

LOCATION: See page 67-1

1. REMOVE FRONT DOOR LOWER FRAME BRACKET GARNISH LH (See page 75-7)
2. REMOVE POWER WINDOW REGULATOR MASTER SWITCH ASSY (See page 75-7)
3. REMOVE FRONT DOOR TRIM BOARD SUB-ASSY LH (See page 75-7)



4. REMOVE FRONT NO.1 SPEAKER ASSY

- (a) Disconnect the connector.
- (b) Using a drill of less than ϕ 4 mm (0.16 in.), drill out the 3 rivet heads and remove the front No.1 speaker assy from the front door panel.
- (c) Gently rotate the drill around the rivet head to cut the flanges.

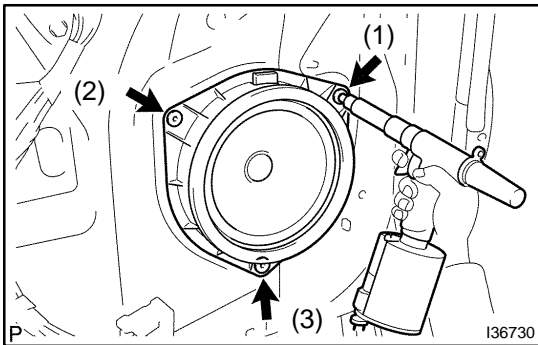
NOTICE:

Prizing the rivet out with the a drill may lead to damage the rivet hole or break the drill bit.

CAUTION:

Take care as the cut rivet is hot.

- (d) Even if the flange is cut off, continue drilling and push out the remaining fragments with the drill.
- (e) Using a vacuum cleaner, remove the drilled rivet and dust from the inside of the front door panel.



5. INSTALL FRONT NO.1 SPEAKER ASSY

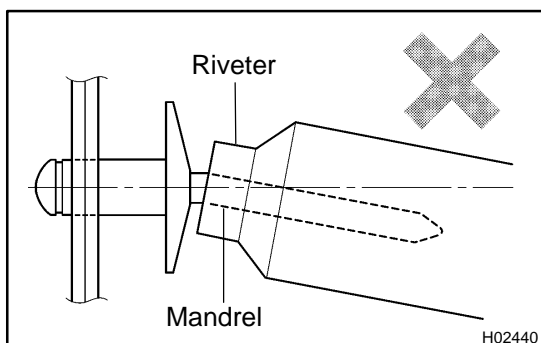
- (a) Using an air riveter or a hand riveter, install 3 new strike rivets to the front No.1 speaker assy on the front door panel.

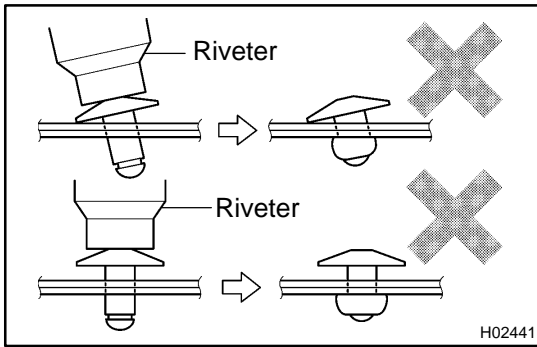
HINT:

Install the new strike rivets in order as shown in the illustration.

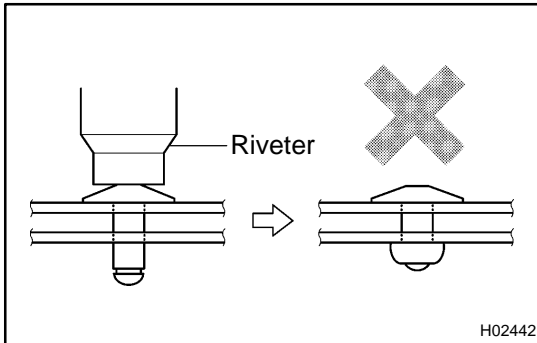
NOTICE:

- Do not prize a with riveter as it could be damaged, the rivet loosened on the mandrel could be bent.





- **Do not tilt the riveter or disconnect the rivet from the materials because until the materials are securely tightened, misalignment may occur.**



- **Only install the rivet when there is no clearance between the materials to be secured.**
- (b) Connect the connector.