

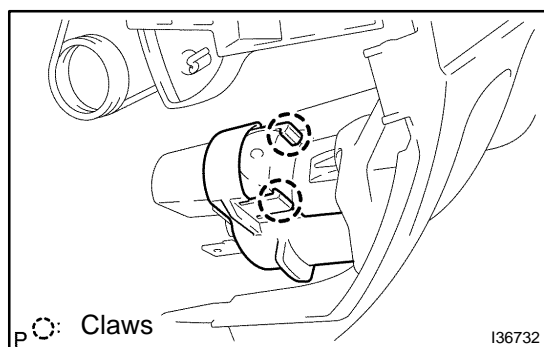
CIGARETTE LIGHTER ASSY REPLACEMENT

670VO-01

HINT:

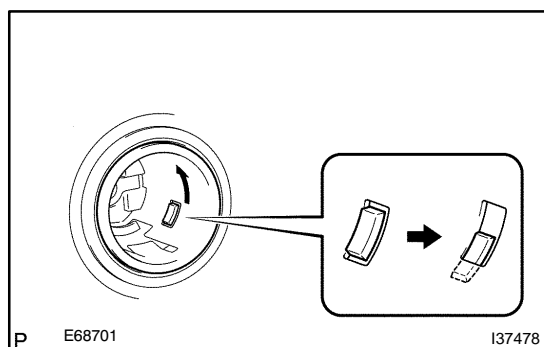
LOCATION: See page 67-1

1. **DISCONNECT BATTERY NEGATIVE TERMINAL** (See page 60-1)
2. **REMOVE INSTRUMENT CLUSTER FINISH PANEL SUB-ASSY CTR** (See page 71-12)
3. **REMOVE INSTRUMENT CLUSTER FINISH PANEL SUB-ASSY LOWER CENTER**
(See page 71-21)



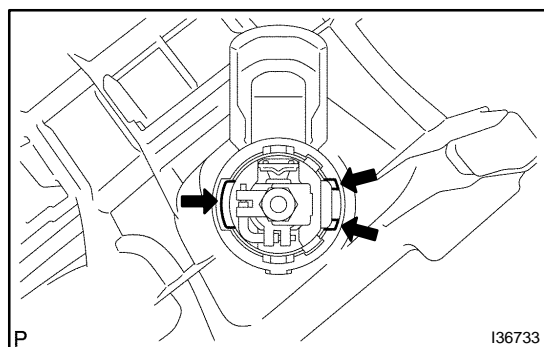
4. REMOVE CIGARETTE LIGHTER COVER

- (a) Disengage the 2 claws and remove the cigarette lighter cover.



5. REMOVE CIGARETTE LIGHTER ASSY

- (a) Remove the cigarette lighter knob and element assy.
- (b) Turn the socket in the direction as shown in the illustration, disengage the claw between the socket and the cigarette lighter bezel stay, and pull out the socket.



- (c) Align the socket with the notch on the cigarette lighter bezel stay, and remove the cigarette lighter assy.

6. INSTALL CIGARETTE LIGHTER ASSY

- (a) Align the socket with the notch on the cigarette lighter bezel stay and push the cigarette lighter assy in as hard as possible.
- (b) Install the cigarette lighter knob and element assy.