

# W/HOLDER ANTENNA ASSY REPLACEMENT

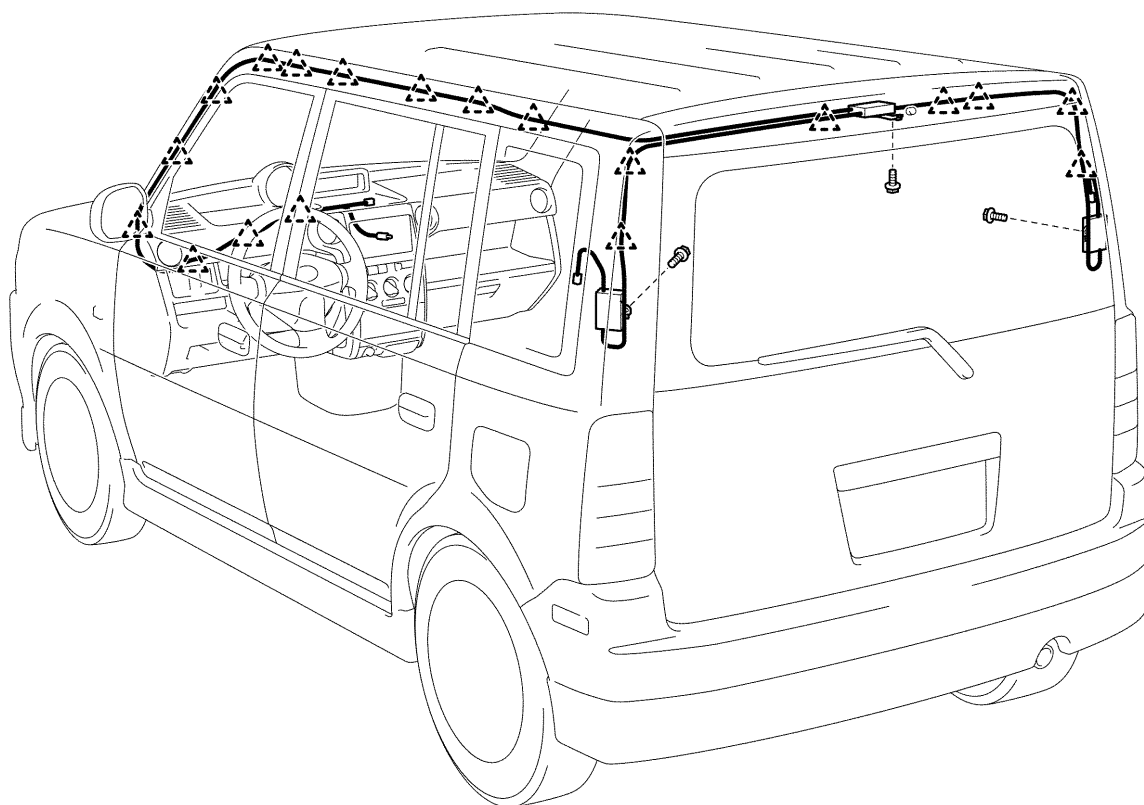
670VN-01

**HINT:**

- LOCATION: See page [67-1](#)
  - COMPONENTS: See page [76-13](#)
1. REMOVE ROOF HEADLINING ASSY (See page [76-15](#))
  2. REMOVE INSTRUMENT PANEL SUB-ASSY (See page [71-12](#))

**3. REMOVE W/HOLDER ANTENNA ASSY**

- (a) Disconnect the connectors.
- (b) Remove the 12 clamps and the bolt.
- (c) Remove the w/ holder antenna assy.



△: Clamps

P

I36725

**4. INSTALL ROOF HEADLINING ASSY (See page 76-15)**