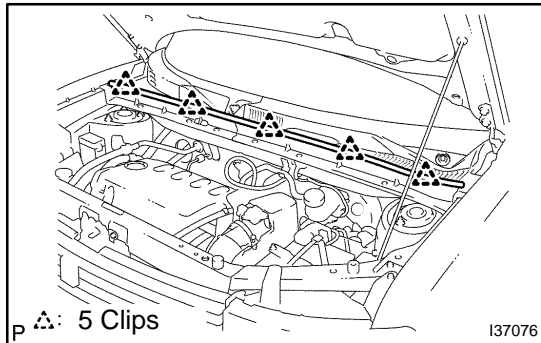


WINDSHIELD WIPER MOTOR ASSY REPLACEMENT

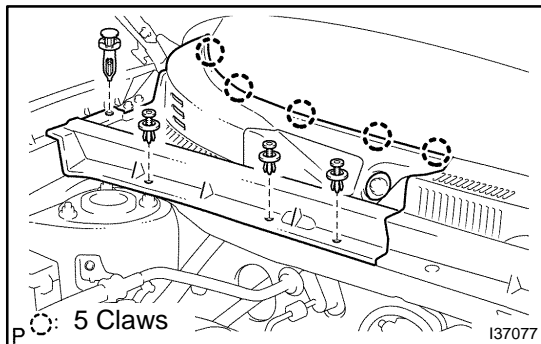
660DW-01

1. REMOVE WINDSHIELD WIPER ARM COVER
2. REMOVE FR WIPER ARM & BLADE ASSY RH
3. REMOVE FR WIPER ARM & BLADE ASSY LH



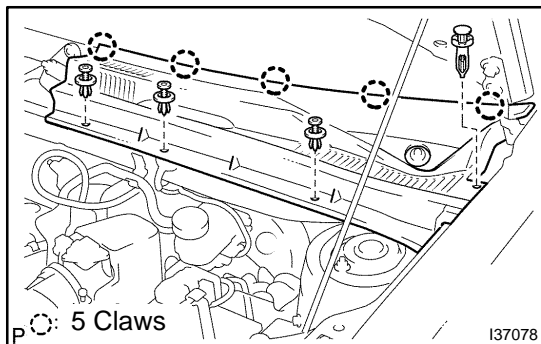
4. REMOVE HOOD TO COWL TOP SEAL

- (a) Using a clip remover, disconnect the 5 clips and remove the hood to cowl top seal.



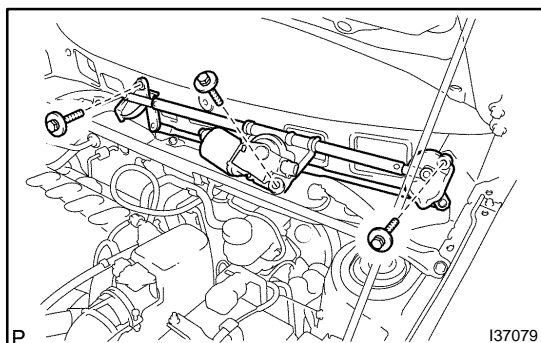
5. REMOVE COWL TOP VENTILATOR LOUVER RH

- (a) Using a clip remover, remove the 4 clips.
- (b) Disengage the 5 claws and remove the cowl top ventilator louver RH.



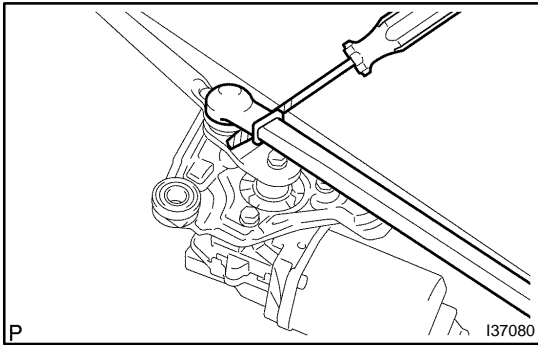
6. REMOVE COWL TOP VENTILATOR LOUVER LH

- (a) Using a clip remover, remove the 4 clips.
- (b) Disengage the 5 claws and remove the cowl top ventilator louver LH.



7. REMOVE WINDSHIELD WIPER MOTOR & LINK ASSY

- (a) Disconnect the connector.
- (b) Remove the 3 bolts and the windshield wiper motor & link assy.

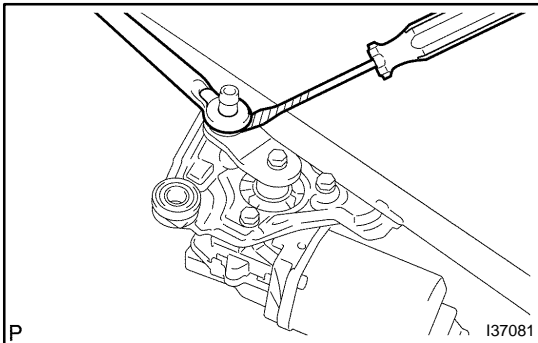


8. REMOVE WINDSHIELD WIPER MOTOR ASSY

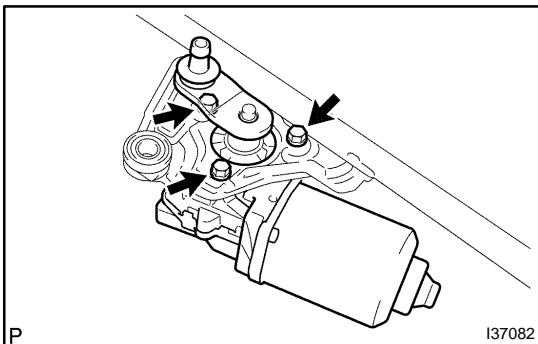
- (a) Using a screwdriver, disconnect the 2 rods at the crank arm pivot of the windshield wiper motor assy.

HINT:

Tape up the screwdriver tip before use to avoid damage.

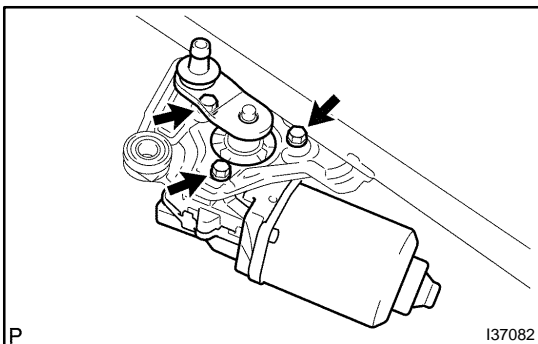


- (b) Remove the 3 bolts and the windshield wiper motor assy.



9. INSTALL WINDSHIELD WIPER MOTOR ASSY

- (a) Install the windshield wiper motor assy with the 3 bolts.
Torque: 5.4 N·m (55 kgf·cm, 47 in.-lbf)
- (b) Apply MP grease to the crank arm pivot of the windshield wiper motor assy.
- (c) Install the 2 rods to the windshield wiper motor assy.



10. INSTALL WINDSHIELD WIPER MOTOR & LINK ASSY

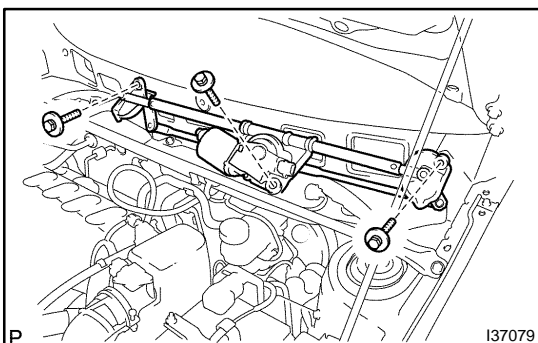
- (a) Install the windshield wiper motor & link assy with the 3 bolts.

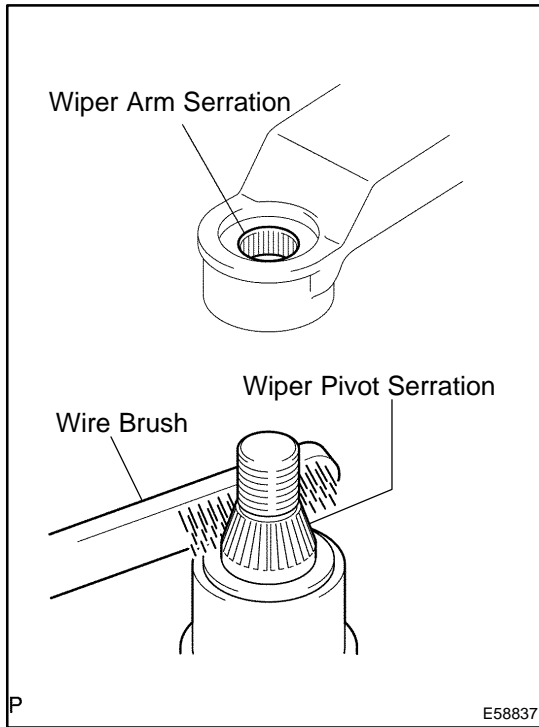
Torque: 5.4 N·m (55 kgf·cm, 47 in.-lbf)

- (b) Connect the connector.

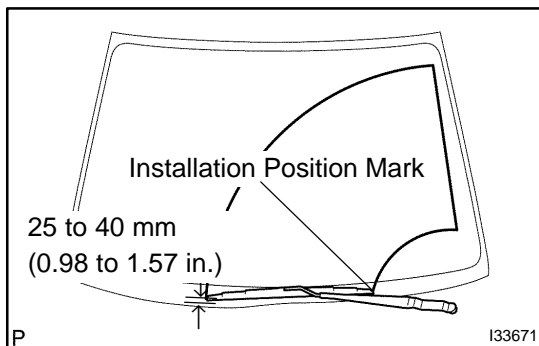
11. INSTALL FR WIPER ARM & BLADE ASSY LH

- (a) Operate the wiper, and stop the windshield wiper motor assy in the automatic stop position.





- (b) Scrape off the serration part of the wiper arm with a round file or equivalent.
- (c) Clean the wiper pivot serration with a wire brush.



- (d) Install the front wiper arm & blade assy LH with the nut in the position as shown in the illustration.

Torque: 20 N·m (205kgf·cm, 15 ft·lbf)

Installation Position Mark:

25 to 40 mm (0.98 to 1.57 in.)

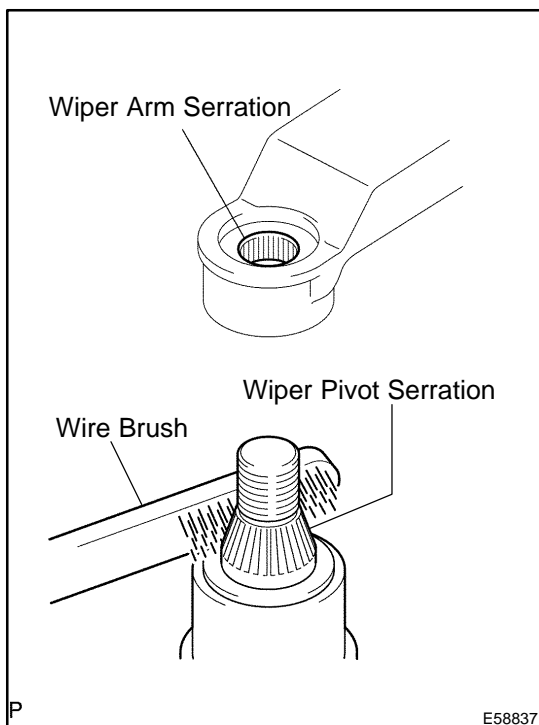
HINT:

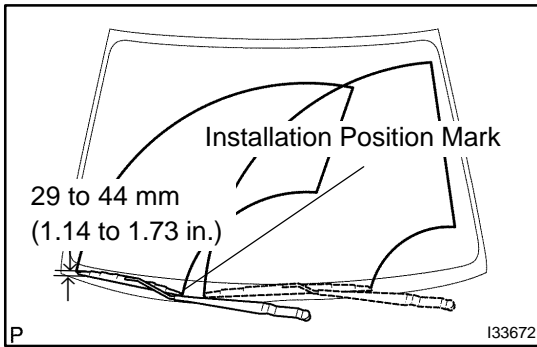
Hold the arm hinge by hand to fasten the nut.

- (e) Operate the wiper while running water or washer fluid over the window, and check the wiping condition and that the rear wiper does not hit against the vehicle's body.

12. INSTALL FR WIPER ARM & BLADE ASSY RH

- (a) Scrape off the serration part of the wiper arm with a round file or equivalent.
- (b) Clean the wiper pivot serration with a wire brush.





- (c) Install the front wiper arm & blade assy RH with a nut in the position shown in the illustration.

Torque: 20 N·m (205kgf·cm, 15 ft·lbf)

Installation Position Mark:

29 to 44 mm (1.14 to 1.73 in.)

HINT:

Hold the arm hinge by hand to fasten the nut.