

WASHER NOZZLE

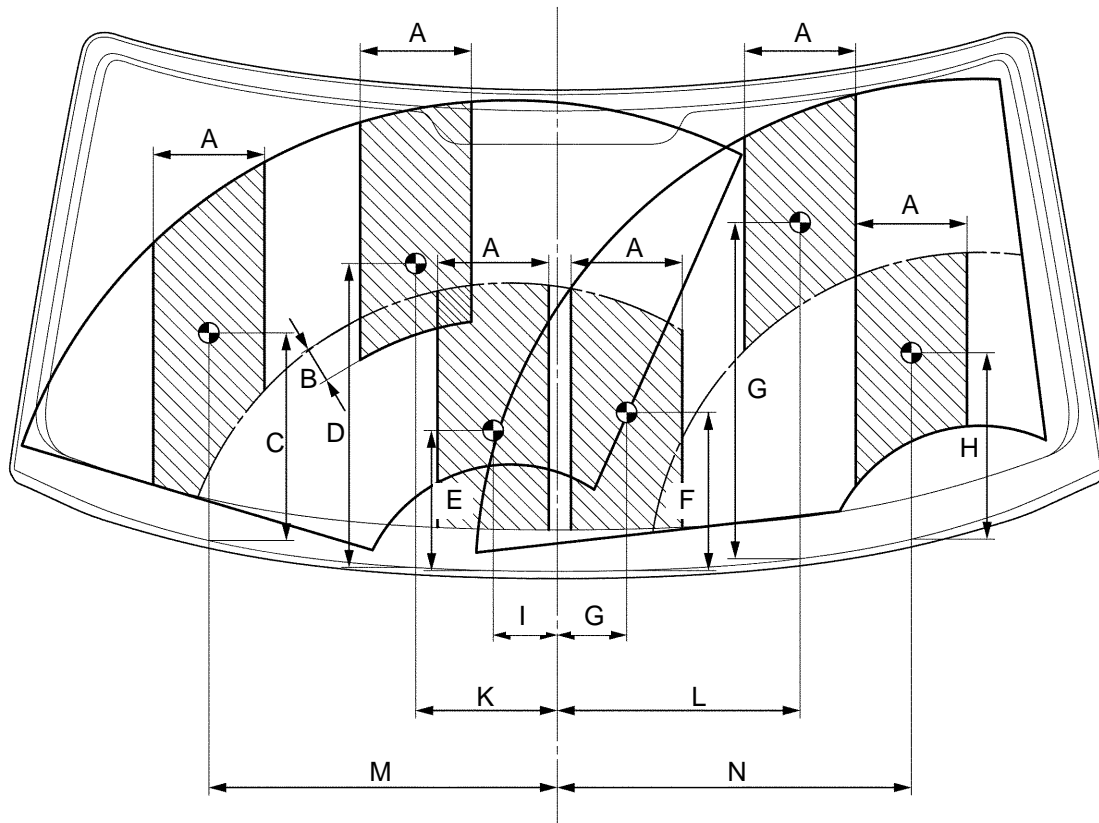
ADJUSTMENT

660E1-01

1. INSPECT WASHER NOZZLE

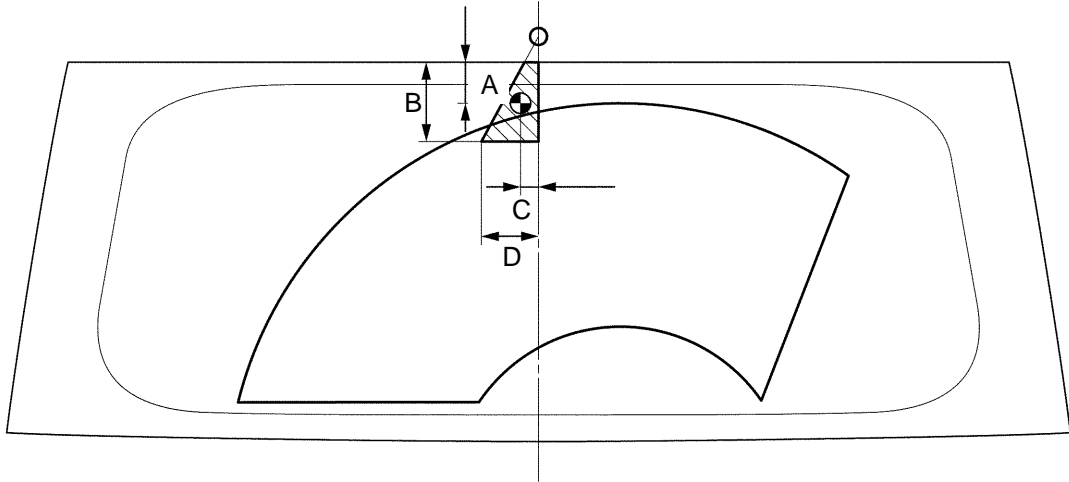
- (a) With the engine running, check that the point where the washer fluid hits the windshield and the rear window is within the range indicated by the hatched line.

Front:



A. 150 mm (5.90 in.)	I. 89.5 mm (3.52 in.)
B. 50 mm (1.96 in.)	G. 93 mm (3.66 in.)
C. 285.9 mm (11.25 in.)	K. 194.7 mm (7.66 in.)
D. 416.4 mm (16.39 in.)	L. 329.9 mm (12.98 in.)
E. 193 mm (7.59 in.)	M. 474.8 mm (18.69 in.)
F. 217.7 mm (8.57 in.)	N. 479.5 mm (18.87 in.)
G. 458.8 mm (18.06 in.)	
H. 253.7 mm (9.98 in.)	

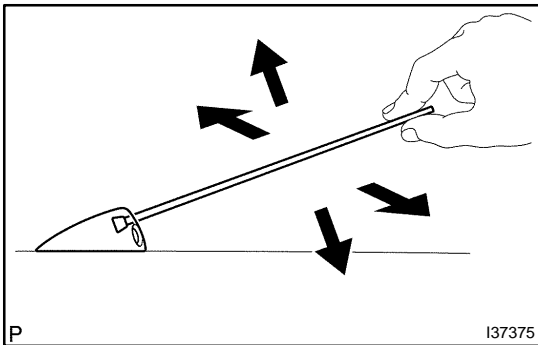
Rear:



P

- A. 50 mm (1.96 in.)
- B. 100 mm (3.93 in.)
- C. 20 mm (0.78 in.)
- D. 70 mm (2.75 in.)

I37877



P

I37375

2. ADJUST WASHER NOZZLE

- (a) Using a pin, adjust the direction of the washer nozzle.

NOTICE:

Use a pin that the end is not sharp.