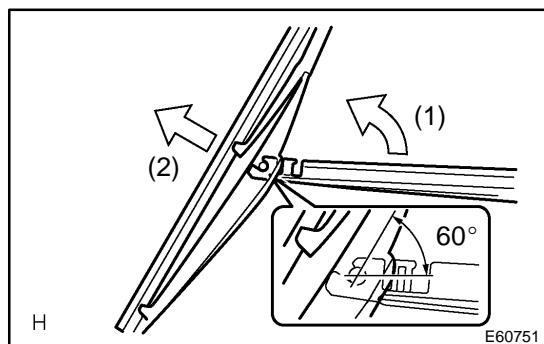


# REAR WIPER RUBBER REPLACEMENT

660DZ-01



## 1. REMOVE REAR WIPER RUBBER

- (a) Raise the rear wiper blade to the position as shown in the illustration so that the meshing of the claw can be disengaged with a clicking sound.

### NOTICE:

**Be careful not to break the claw.**

- (b) Pull the rear wiper blade straight from the wiper arm toward the left side of the vehicle.

### NOTICE:

**Do not fold the rear wiper arm without the rear wiper blade.**

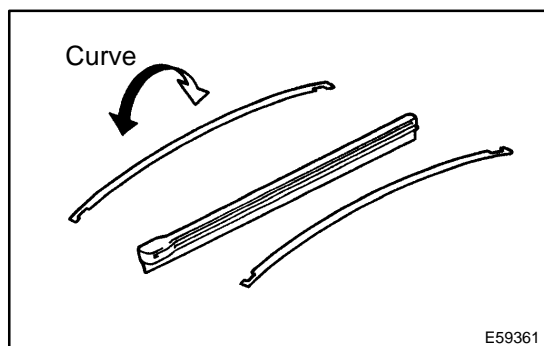
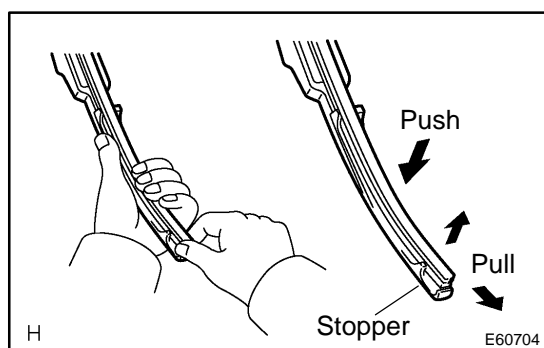
- (c) Pull the end of the rubber protruded from the blade stopper as shown in the illustration.

### NOTICE:

**Do not forcibly pull out the wiper rubber. Otherwise, the backing plates will be deformed or the blade claw will be damaged.**

### HINT:

Pushing the position close to the middle of the blade raises the rubber, which makes it easier to pull the rubber out.

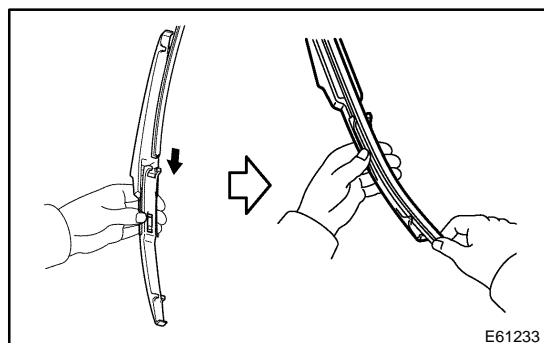


## 2. INSTALL REAR WIPER RUBBER

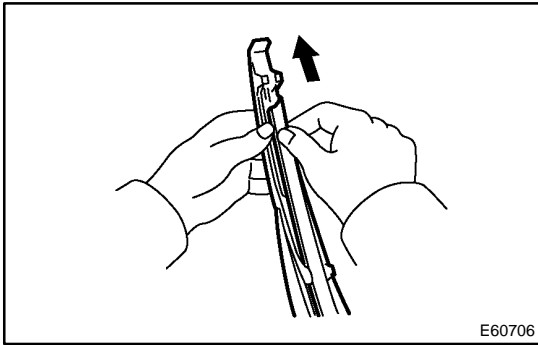
- (a) Install the 2 wiper rubber backing plates to the rear wiper rubber.

### NOTICE:

**Be sure to install the wiper rubber backing plates in the right direction.**



- (b) Insert the rear wiper rubber from the claw side of the middle of the rear wiper blade the end position.



- (c) After passing the rear wiper rubber through the rear end side claw, extend it from the rear end stopper and pass it through the front tip side claw.