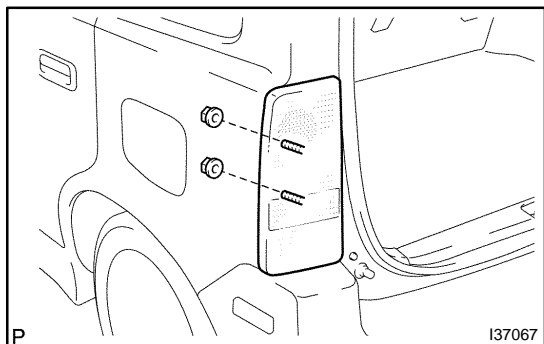


REAR COMBINATION LAMP ASSY LH

OVERHAUL

650V7-01

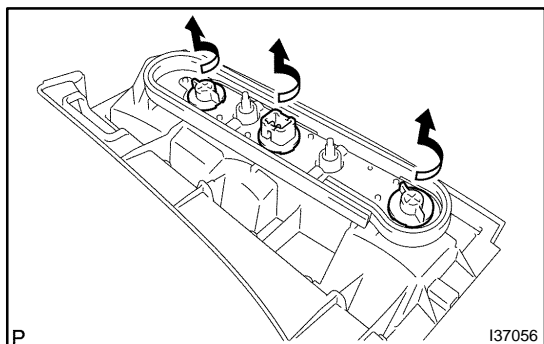
1. REMOVE REAR COMBINATION LAMP SERVICE COVER LH



2. REMOVE REAR COMBINATION LAMP ASSY LH

- Disconnect the connector.
- Remove the 2 nuts and the rear combination lamp assy LH.

3. REMOVE REAR COMBINATION LAMP BODY GASKET LH



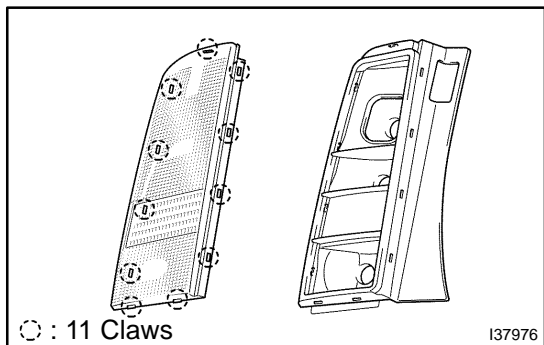
4. REMOVE REAR COMBINATION LAMP BULB

- Remove the 3 rear combination lamp bulbs and 3 rear combination lamp socket and wire sub-assy as shown in the illustration.
- Remove the 3 rear combination lamp bulbs from the 3 rear combination lamp socket and wire sub-assy.

5. REMOVE REAR COMBINATION LAMP SOCKET AND WIRE SUB-ASSY LH

6. REMOVE REAR COMBINATION LAMP SOCKET AND WIRE SUB-ASSY LH

7. REMOVE REAR COMBINATION LAMP SOCKET AND WIRE SUB-ASSY LH



8. REMOVE REAR COMBINATION LAMP LENS LH

- Using a screwdriver, disengage the 11 claws and rear combination lamp lens LH.

9. REMOVE REAR COMBINATION LAMP LENS GASKET LH

10. REMOVE REAR COMBINATION LAMP LENS & BODY LH

11. INSTALL REAR COMBINATION LAMP LENS LH

- Install the new rear combination lens gasket on the rear combination lamp lens & body LH.
- Install the rear combination lamp lens LH on the rear combination lamp lens & body LH.

NOTICE:

- **Be sure replace the rear combination lens gasket with a new one because it can not be reused.**
- **Make sure that water can not go inside the rear combination lamp assy LH by applying water with automatic car wash or a hose.**