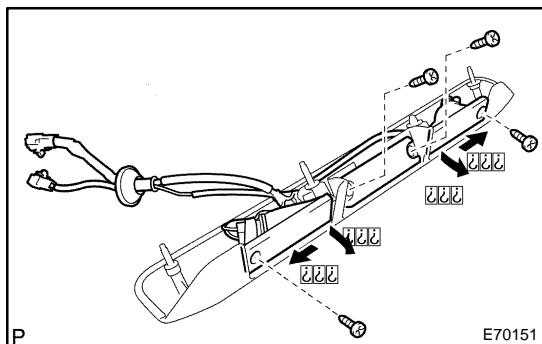


LAMP SET REAR

OVERHAUL

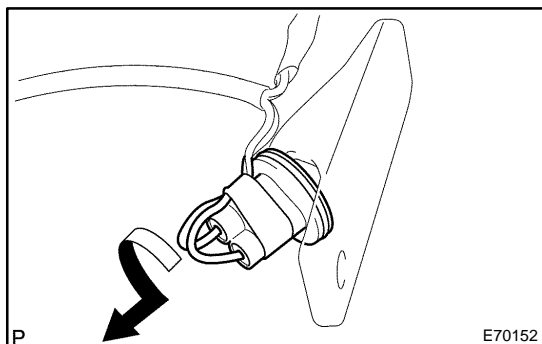
65OUT-02

1. REMOVE BACK DOOR TRIM BOARD (See page 75-33)
2. REMOVE BACK DOOR GARNISH OUTSIDE (See page 76-12)



3. REMOVE LAMP SET REAR

- (a) Remove the 4 screws and the lamp set rear.



4. REMOVE LICENSE PLATE LAMP BULB

- (a) Remove the license plate lamp bulb and socket as shown in the illustration.
- (b) Remove the license plate lamp bulb from the socket.

5. REMOVE LICENSE PLATE LAMP BODY