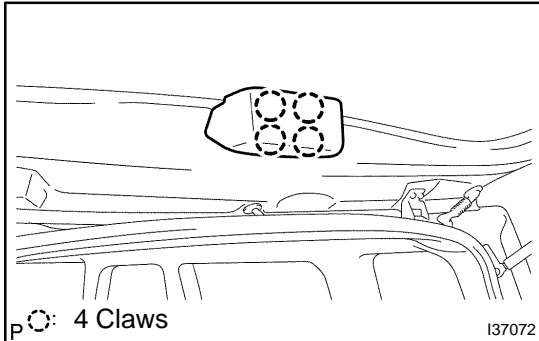
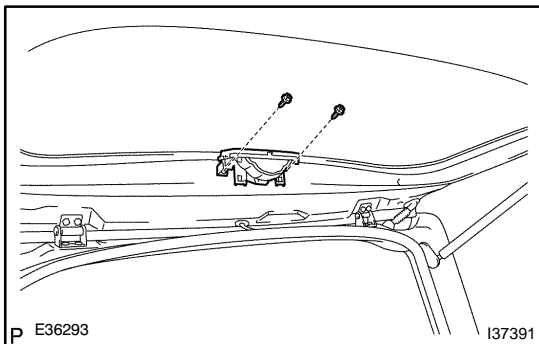


# CENTER STOP LAMP ASSY OVERHAUL



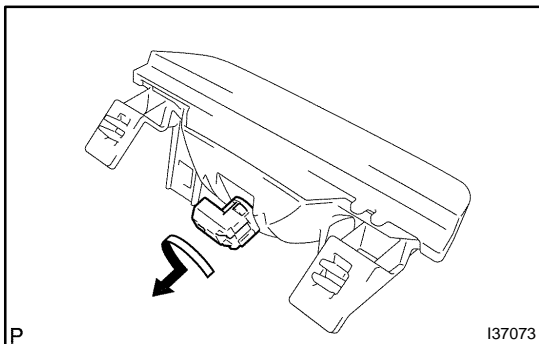
## 1. REMOVE CENTER STOP LAMP COVER

- (a) Disengage the 4 claws and remove the center stop lamp cover.



## 2. REMOVE CENTER STOP LAMP ASSY

- (a) Remove the 2 screws.
- (b) Disconnect the connector and remove the center stop lamp assy.



- (c) Remove the center stop lamp bulb as shown in the illustration.