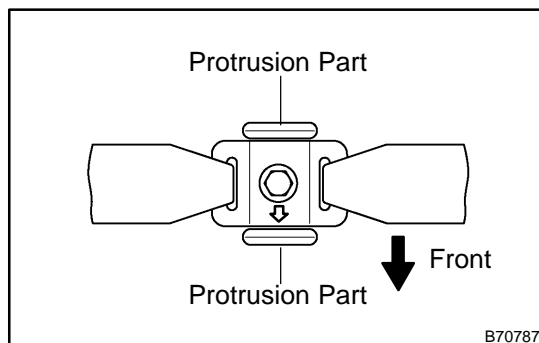


REPLACEMENT

HINT:

- The installation procedures are the removal procedures in the reverse order. However, only installation procedures requiring additional information are included.
 - Use the same procedures for the RH side and LH side.
1. **REMOVE REAR DOOR SCUFF PLATE RH (See page 76-15)**
 2. **REMOVE REAR DOOR OPENING TRIM RH (See page 76-15)**
 3. **REMOVE DECK BOARD NO.1 (See page 76-15)**
 4. **REMOVE DECK BOARD NO.2 (See page 76-15)**
 5. **REMOVE DECK FLOOR BOX LH (See page 76-15)**
 6. **REMOVE DECK FLOOR BOX RH (See page 76-15)**
 7. **REMOVE REAR SEAT ASSY (See page 72-8)**
 8. **REMOVE BACK DOOR WEATHERSTRIP (See page 76-15)**
 9. **REMOVE DECK TRIM COVER REAR (See page 76-15)**
 10. **REMOVE DECK TRIM SIDE PANEL ASSY RH (See page 76-15)**
 11. **REMOVE ROOF SIDE GARNISH INNER RH (See page 76-15)**
 12. **REMOVE REAR SEAT 3 POINT TYPE BELT ASSY OUTER**
 - (a) Remove the bolt and seat belt on the shoulder anchor side.
 - (b) Remove the bolt on the retractor side, and remove the seat belt completely.
 13. **REMOVE REAR SEAT BELT ASSY OUTER CENTER**
 - (a) Remove the seatback board (See page 72-8).
 - (b) Remove the shoulder belt cover (See page 72-8).
 - (c) Remove the bolt and belt on the floor anchor side.
 - (d) Remove the bolt and nut on the retractor side, and remove the belt completely.
 14. **REMOVE REAR SEAT INNER W/CENTER BELT ASSY RH**
 - (a) Remove the bolt and inner belt.
 15. **REMOVE REAR SEAT INNER W/CENTER BELT ASSY LH**
 - (a) Remove the bolt and inner belt.
 16. **REMOVE CHILD RESTRAINT SEAT ANCHOR BRACKET SUB-ASSY RH**
 - (a) Remove the 4 bolts and anchor bracket.
 17. **INSTALL CHILD RESTRAINT SEAT ANCHOR BRACKET SUB-ASSY RH**
 - (a) Install the anchor bracket with the 4 bolts.

Torque: 42 N·m (430 kgf·cm, 31 ft·lbf)



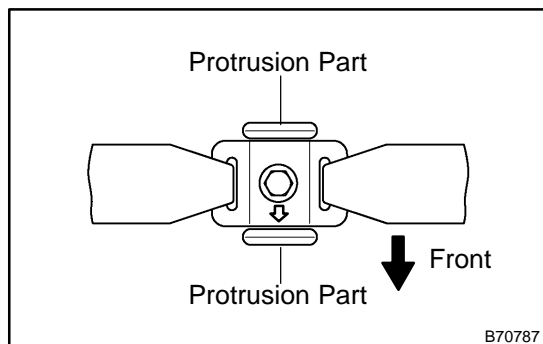
18. INSTALL REAR SEAT INNER W/CENTER BELT ASSY LH

- (a) Install the floor anchor and belt with the bolt as shown in the illustration.

Torque: 42 N·m (430 kgf·cm, 31 ft·lbf)

NOTICE:

Make sure that the anchor part does not run onto the protrusion part of the floor panel.



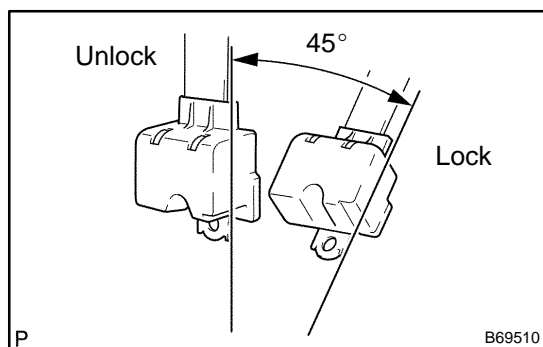
19. INSTALL REAR SEAT INNER W/CENTER BELT ASSY RH

- (a) Install the floor anchor and belt with the bolt as shown in the illustration.

Torque: 42 N·m (430 kgf·cm, 31 ft·lbf)

NOTICE:

Make sure that the anchor part does not run onto the protrusion part of the floor panel.



20. INSTALL REAR SEAT BELT ASSY OUTER CENTER

- (a) Install the belt on the retractor side with the nut.

Torque: 42 N·m (430 kgf·cm, 31 ft·lbf)

- (b) Install the shoulder belt cover (See page 72-8).
 (c) Install the seatback board center (See page 72-8).
 (d) Check the degree of tilt when the belt begins to lock the ELR.
 (1) Check that the belt does not lock within 15° of tilt in all directions but locks with over 45° of tilt when gently moving the retractor.

If operation is not as specified, replace the belt assy.

- (e) Install the belt with the bolt.

Torque: 42 N·m (430 kgf·cm, 31 ft·lbf)

- (f) Check the ELR lock.

NOTICE:

The check should be performed with the assembly installed.

- (1) Check that the belt locks by pulling it out quickly after installation.

HINT:

The seat belt does not lock when it is pulled out to a length of 955 mm (37.60 in.) or less.

If operation is not as specified, replace the belt assy.

- (g) Check the fastening function of the child restraint system.

NOTICE:

The check should be performed with the assembly installed.

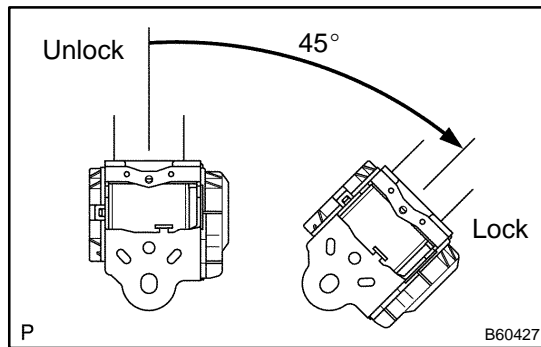
- (1) Check that the belt can not be pulled out any more but rewinds after being pulled out fully.
 (2) Check that the belt can be pulled out and rewind after it has been fully rewound.

If operation is not as specified, replace the belt assy.

21. INSTALL REAR SEAT 3 POINT TYPE BELT ASSY OUTER

- (a) Install the belt with the bolt on the retractor side.

Torque: 42 N·m (430 kgf·cm, 31 ft·lbf)



(b) Check the degree of tilt when the belt begins to lock the ELR.

- (1) Check that the belt does not lock within 15° of tilt in all directions but locks with over 45° of tilt when gently moving the retractor.

If operation is not as specified, replace the belt assy.

(c) Install the belt with the bolt on the floor anchor side.

Torque: 42 N·m (430 kgf·cm, 31 ft·lbf)

NOTICE:

Make sure that the anchor part does not run onto the protrusion part of the floor panel.

- (1) Check that the belt locks by pulling it out quickly after installation.

If operation is not as specified, replace the seat belt assy.

(d) Check the ELR lock.

NOTICE:

The check should be performed with the assembly installed.

- (1) Check that the belt locks when pulling out the belt quickly when the belt is installed.

If operation is not as specified, replace the belt assy.

(e) Check the fastening function of the child restraint system.

NOTICE:

The check should be performed with the assembly installed.

- (1) Check that the belt can not be pulled out any more but rewinds after being pulled out fully.
- (2) Check that the belt can be pulled out and rewound after it has been fully rewound.

If operation is not as specified, replace the belt assy.

22. INSTALL REAR SEAT ASSY (See page 72-8)