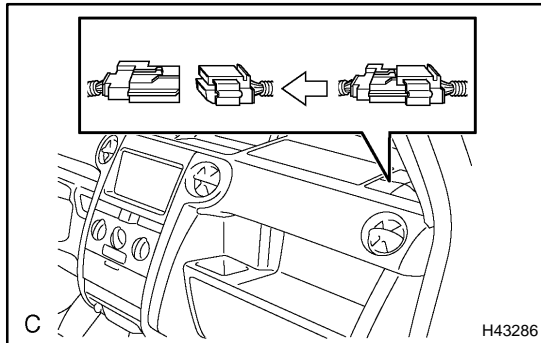


# REPLACEMENT

1. **PRECAUTION** (See page 60-1)
2. **DISCONNECT BATTERY NEGATIVE TERMINAL** (See page 60-1)
3. **REMOVE INSTRUMENT PANEL SPEAKER PANEL SUB-ASSY NO.1** (See page 71-12)
4. **REMOVE INSTRUMENT PANEL SPEAKER PANEL SUB-ASSY NO.2** (See page 71-12)



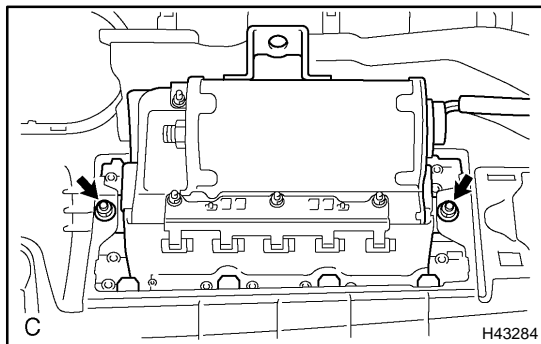
## 5. DISCONNECT INSTRUMENT PANEL PASSENGER AIRBAG ASSY CONNECTOR

- (a) Remove the passenger airbag connector clip.
- (b) Disconnect the passenger airbag connector.

**NOTICE:**

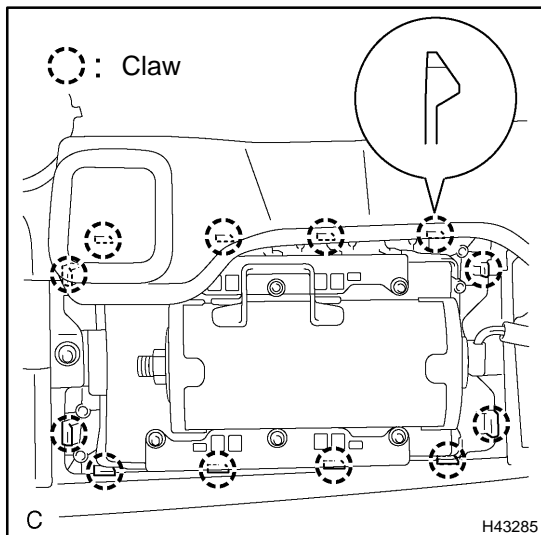
When handling the airbag connector, take care not to damage the airbag wire harness.

## 6. REMOVE INSTRUMENT PANEL SUB-ASSY UPPER W/INSTRUMENT PANEL PASSENGER AIRBAG ASSY (See page 71-21)



## 7. REMOVE INSTRUMENT PANEL PASSENGER AIR BAG ASSY

- (a) Remove the 2 nuts.



- (b) Disengage the 12 claws of the instrument panel passenger airbag assy, and then remove the instrument panel passenger airbag assy from the instrument panel sub-assy upper.

**8. INSTALL INSTRUMENT PANEL PASSENGER AIR BAG ASSY**

- (a) Install the instrument panel passenger airbag with 2 nuts.

**Torque: 5.0 N·m (50 kgf·cm, 43 in·lbf)**

**9. INSPECT INSTRUMENT PANEL PASSENGER AIR BAG ASSY (See page 60-9)****10. INSTALL INSTRUMENT PANEL SUB-ASSY UPPER W/INSTRUMENT PANEL PASSENGER AIRBAG ASSY (See page 71-21)****11. CONNECT INSTRUMENT PANEL PASSENGER AIRBAG ASSY CONNECTOR****12. INSPECT SRS WARNING LIGHT (See page 05-451)**