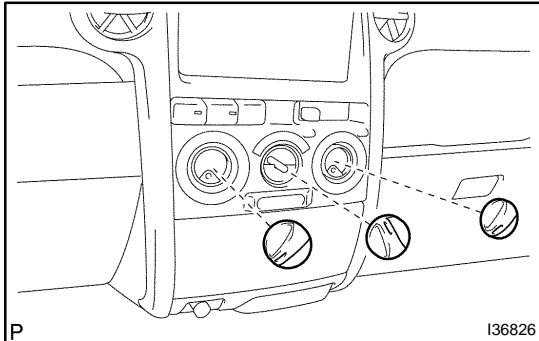


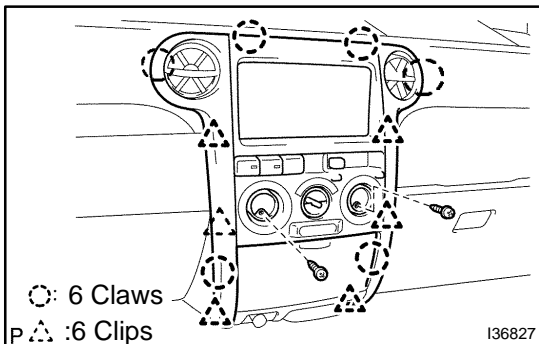
HEATER OR BOOST VENTILATOR CONTROL ASSY REPLACEMENT

5511W-01



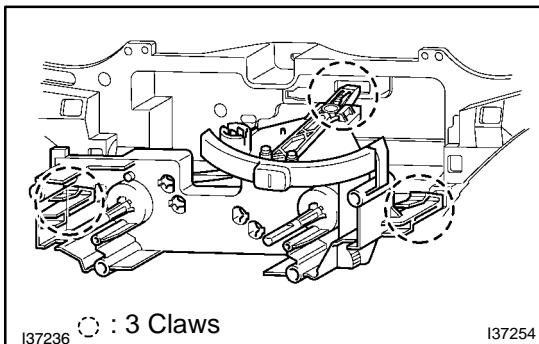
1. REMOVE HEATER CONTROL KNOB

- (a) Remove the 3 heater control knobs.



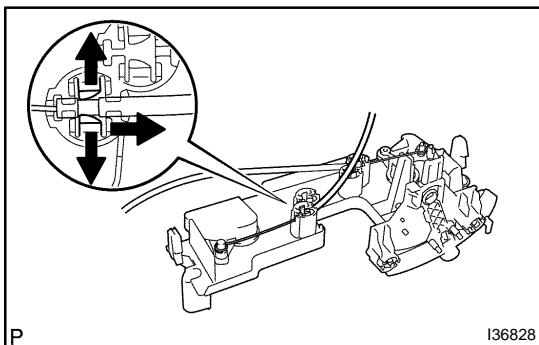
2. REMOVE INSTRUMENT CLUSTER FINISH PANEL SUB-ASSY CTR

- (a) Remove the 2 screws.
- (b) Using a moulding remover, disengage the 6 claws and 6 clips, then remove the instrument cluster finish panel sub-assy CTR.
- (c) Disconnect the 2 connectors.



3. REMOVE HEATER CONTROL & ACCESSORY ASSY

- (a) Disengage the 3 claws and disconnect the heater control & accessory assy.



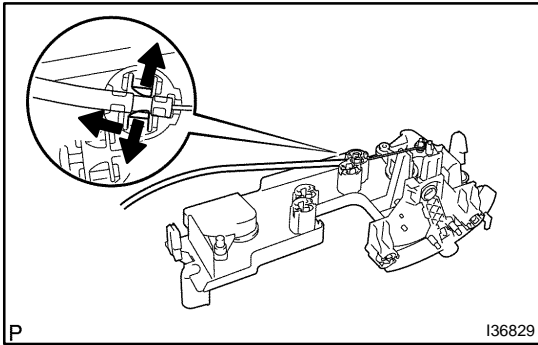
- (b) Using a screwdriver, open the claw of the cable clamp and disconnect the defroster damper control cable sub-assy.

NOTICE:

- Be careful not to bend the cable wire.
- If the cable wire bends, the defroster damper control cable sub-assy operation may be affected.

HINT:

Tape up the screwdriver tip before use.



- (c) Using a screwdriver, open the claw of the cable clamp and disconnect the air mix damper control cable sub-assy.

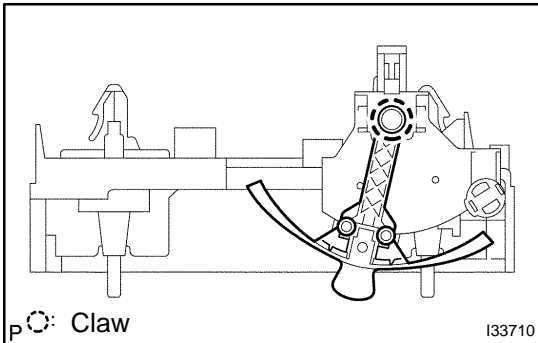
NOTICE:

- **Be careful not to bend the cable wire.**
- **If the cable wire bends, the air mix damper control cable sub-assy operation may be affected.**

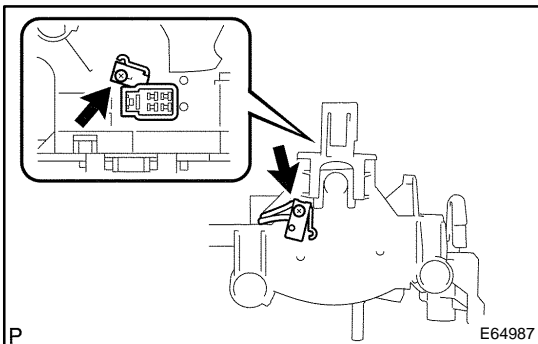
- (d) Remove the heater control & accessory assy.

HINT:

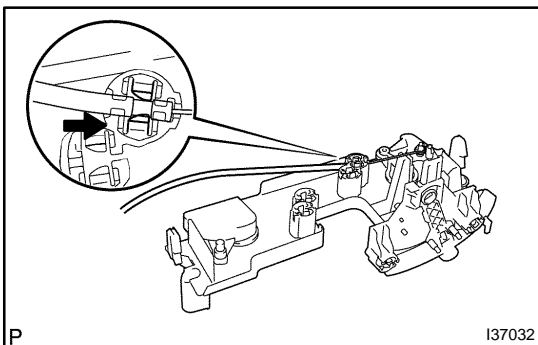
Tape up the screwdriver tip before use.

**4. REMOVE AIR INLET DAMPER CONTROL LEVER**

- (a) Disengage the claw, and remove the air inlet damper control lever.

**5. REMOVE HEATER SWITCH ASSY**

- (a) Remove the 2 screws and heater switch.

6. REMOVE HEATER OR BOOST VENTILATOR CONTROL ASSY**7. INSTALL HEATER CONTROL & ACCESSORY ASSY**

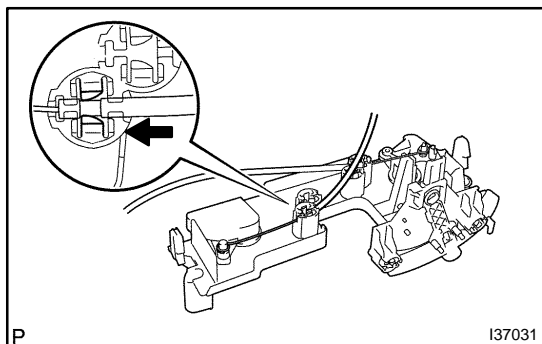
- (a) Install the inner cable end of the air mix damper control cable sub-assy on the heater control lever.
- (b) Install the outer cable of the air mix damper control cable sub-assy on the cable clamp.

NOTICE:

- **Be careful not to bend the cable wire.**
- **If the cable wire bends, the air mix damper control cable sub-assy operation may be affected.**

HINT:

- Operating the heater control knob, check that it properly stops at both ends of FACE and DEF and no recoil is identified.
- Check that the outer cable is not disengaged (moved) from the heater control & accessory assy when the cable is pulled.



- (c) Install the inner cable end of the defroster damper control cable sub-assy on the heater control lever.
- (d) Install the outer cable of the defroster damper control cable sub-assy on the cable clamp.
- (e) Connect the connector and install the heater control & accessory assy.

NOTICE:

- **Be careful not to bend the cable wire.**
- **If the cable wire bends, the heater control & accessory operation may be affected.**

HINT:

- Operating the heater control knob, check that it properly stops at both ends of MAX. COOL and MAX. HOT and no recoil is identified.
- Check that the outer cable is not disengaged(moved) from the heater control & accessory assy when the cable is pulled.