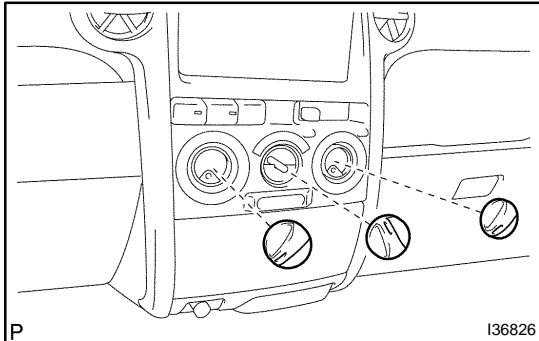
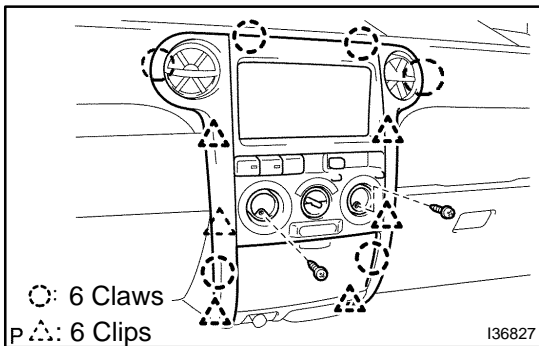


# CENTER CLUSTER MODULE SWITCH OVERHAUL



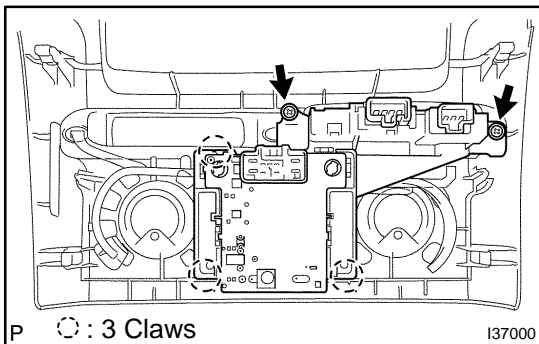
## 1. REMOVE HEATER CONTROL KNOB

- (a) Remove the 3 heater control knobs.



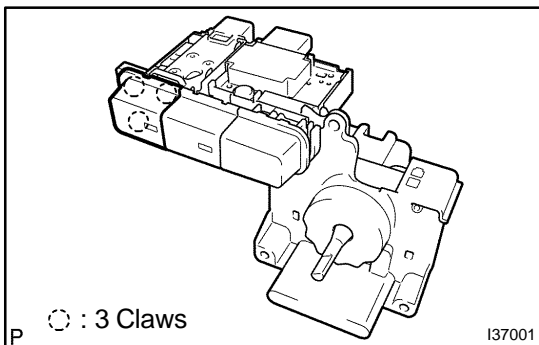
## 2. REMOVE INSTRUMENT CLUSTER FINISH PANEL SUB-ASSY CTR

- (a) Remove the 2 screws.  
 (b) Using a moulding remover, disengage the 6 claws and 6 clips, then remove the instrument cluster finish panel sub-assy CTR.  
 (c) Disconnect the 2 connectors.



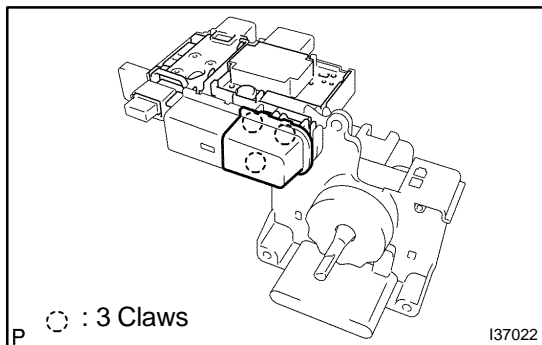
## 3. REMOVE CENTER CLUSTER MODULE SWITCH

- (a) Remove the 2 screws.  
 (b) Release the 3 claws and remove the center cluster module switch.

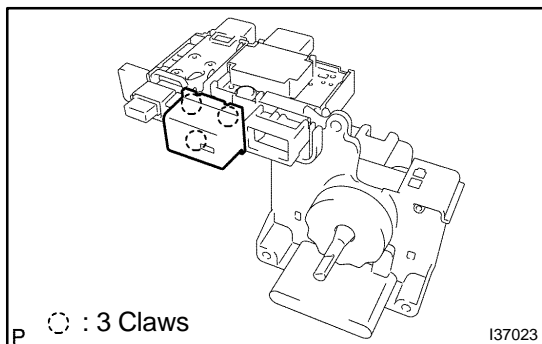


## 4. REMOVE CENTER CLUSTER MODULE KNOB NO.7

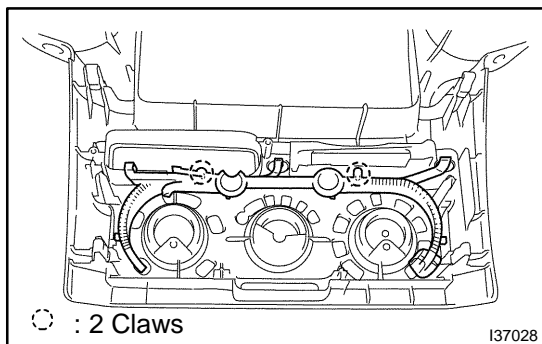
- (a) Disengage the 3 claws and remove the center cluster module knob No.7.

**5. REMOVE CENTER CLUSTER MODULE KNOB NO.5**

- (a) Disengage the 3 claws and remove the center cluster module knob No.5.

**6. REMOVE CENTER CLUSTER MODULE KNOB NO.6**

- (a) Disengage the 3 claws and remove the center cluster module knob No.6.

**7. REMOVE HEATER CONTROL LENS ASSY**

- (a) Disengage the 2 claws, and then remove the heater control lens assy.