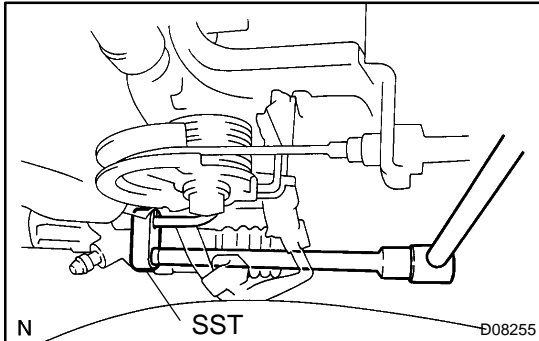


OVERHAUL

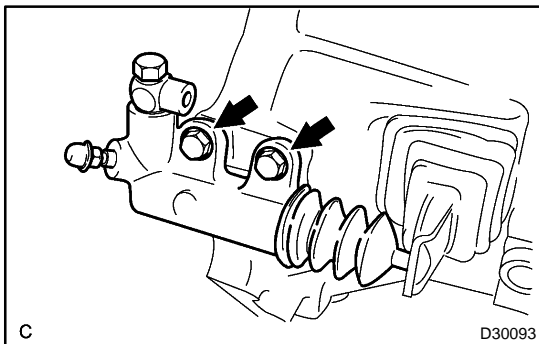


1. DISCONNECT CLUTCH RELEASE CYLINDER TO FLEXIBLE HOSE TUBE

- (a) Using SST, disconnect the flexible hose tube.
SST 09023-00100

HINT:

Use a container to catch the fluid.



2. REMOVE CLUTCH RELEASE CYLINDER ASSY

- (a) Remove the 2 bolts and the clutch release cylinder assy.

3. REMOVE CLUTCH RELEASE UNION

- (a) Remove the union bolt.
(b) Remove the clutch release union and the 2 gaskets.

4. REMOVE CLUTCH RELEASE CYLINDER KIT

- (a) Remove the boot from the cylinder body.
(b) Remove the push rod from the cylinder body.
(c) Remove the piston from the cylinder body.

NOTICE:

Be careful not to damage the inside of the cylinder body.

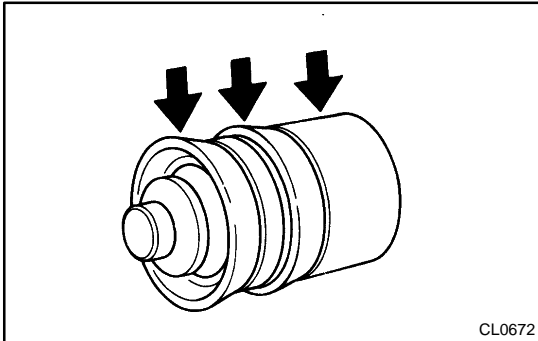
- (d) Remove the spring from the cylinder body.
(e) Remove the bleeder plug cap from the bleeder plug.

5. REMOVE RELEASE CYLINDER BLEEDER PLUG

6. INSTALL RELEASE CYLINDER BLEEDER PLUG

7. INSTALL CLUTCH RELEASE CYLINDER KIT

- (a) Install the bleeder plug cap on the bleeder plug.
- (b) Install a new spring on the cylinder body.

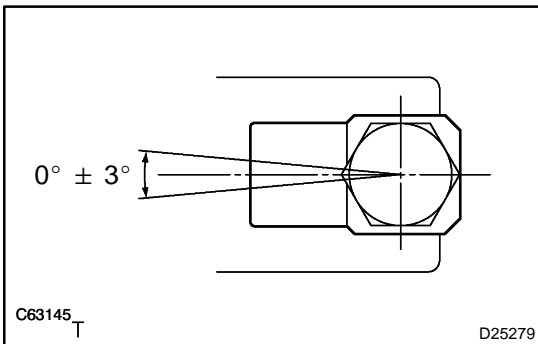


- (c) Coat a new piston with lithium soap base glycol grease, as shown in the illustration.
- (d) Install the piston on the cylinder body.

NOTICE:

Be careful not to damage the inside of the cylinder body.

- (e) Install the push rod on the cylinder body.
- (f) Install the boot on the cylinder body.

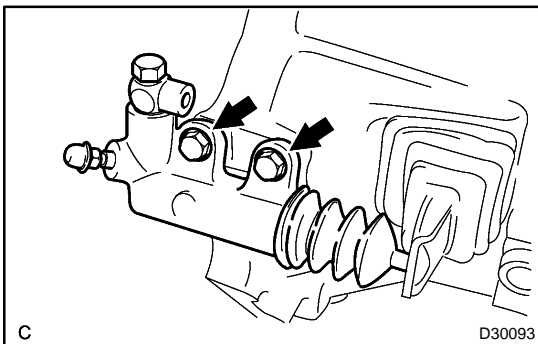
**8. INSTALL CLUTCH RELEASE UNION**

- (a) Install the clutch release union with the union bolt and 2 new gaskets, as shown in the illustration.

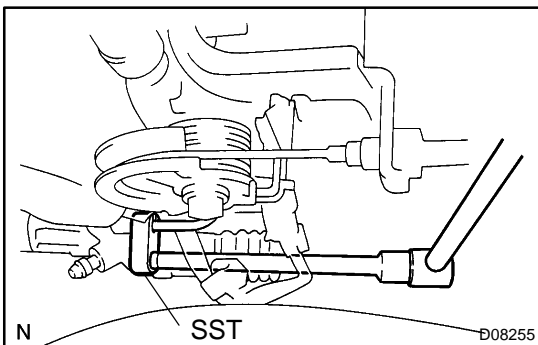
Torque: 25 N·m (250 kgf·cm, 18 ft·lbf)

NOTICE:

Installation angle of the clutch release union should be 0° ± 3° against the body.

**9. INSTALL CLUTCH RELEASE CYLINDER ASSY**

- (a) Install the clutch release cylinder assy with the 2 bolts.
Torque: 12 N·m (120 kgf·cm, 9 ft·lbf)

**10. CONNECT CLUTCH RELEASE CYLINDER TO FLEXIBLE HOSE TUBE**

- (a) Using SST, connect the flexible hose tube.
SST 09023-00100
Torque: 15 N·m (155 kgf·cm, 11 ft·lbf)

11. BLEED CLUTCH PIPE LINE

- (a) Fill the brake reservoir tank with brake fluid and bleed the clutch system.

Torque: 8.4 N·m (86 kgf·cm, 74 in·lbf)

12. CHECK CLUTCH FLUID LEAKAGE