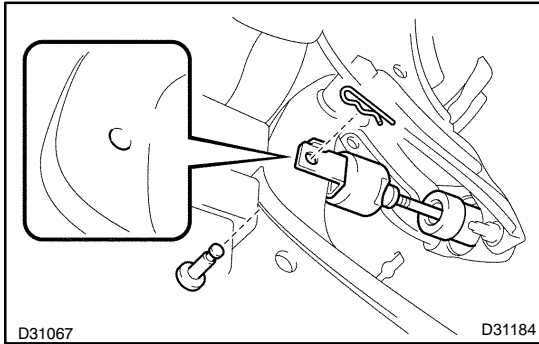


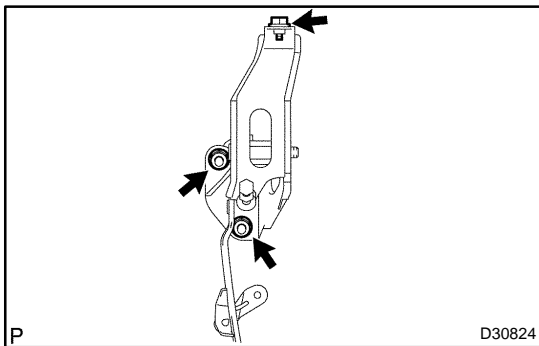
REPLACEMENT

1. REMOVE CLUTCH PEDAL SPRING



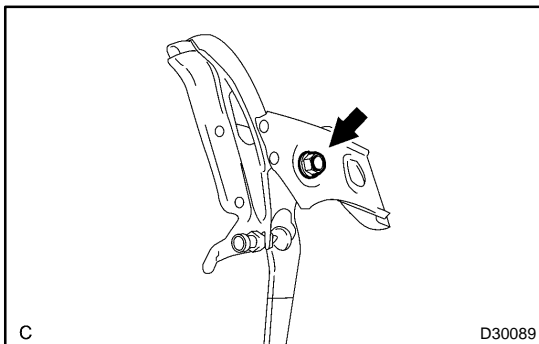
2. REMOVE CLUTCH MASTER CYLINDER PUSH ROD CLEVIS W/HOLE PIN

- (a) Remove the clip and the hole pin.



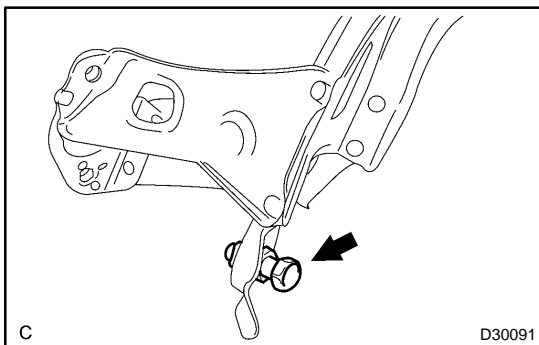
3. REMOVE CLUTCH PEDAL SUPPORT SUB-ASSY

- (a) Remove the 2 nuts, the bolt and the clutch pedal support sub-assy.



4. REMOVE CLUTCH PEDAL SUB-ASSY

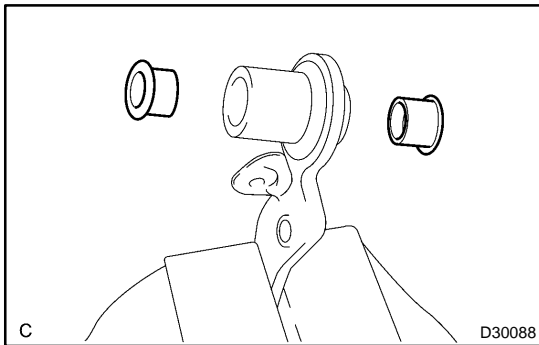
- (a) Remove the clutch pedal shaft and the nut.
(b) Remove the clutch pedal from the clutch pedal support.



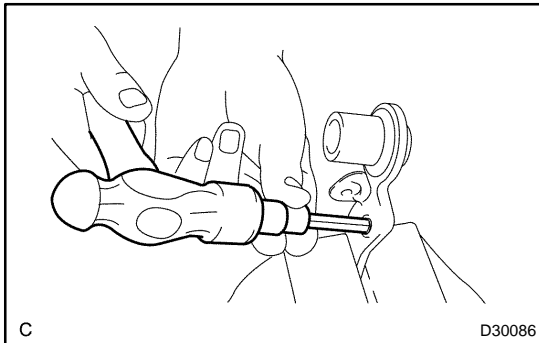
5. REMOVE CLUTCH PEDAL STOPPER BOLT

- (a) Loosen the lock nut and remove the clutch pedal stopper bolt.
(b) Remove the lock nut from the clutch pedal stopper bolt.

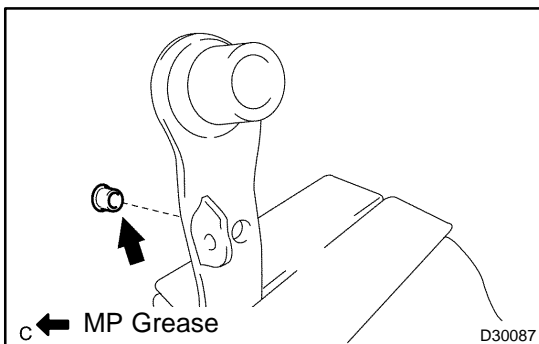
6. REMOVE CLUTCH PEDAL PAD

**7. REMOVE CLUTCH PEDAL BUSH**

- (a) Remove the 2 bushes from the clutch pedal.

**8. REMOVE CLUTCH MASTER CYLINDER PUSH ROD CLEVIS BUSH**

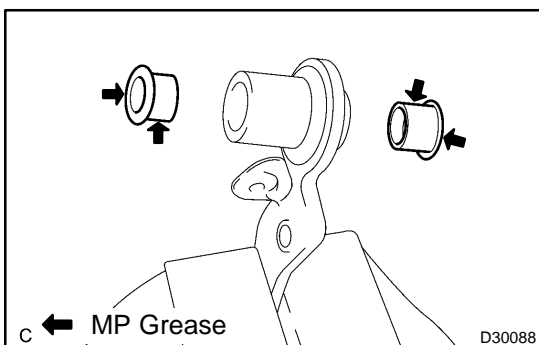
- (a) Using a 8 mm hexagon wrench and a hammer, remove the clevis bush from the clutch pedal.

**9. INSTALL CLUTCH MASTER CYLINDER PUSH ROD CLEVIS BUSH**

- (a) Apply MP grease to the inside of a new clevis bush.
 (b) Install the clevis bush on the clutch pedal.

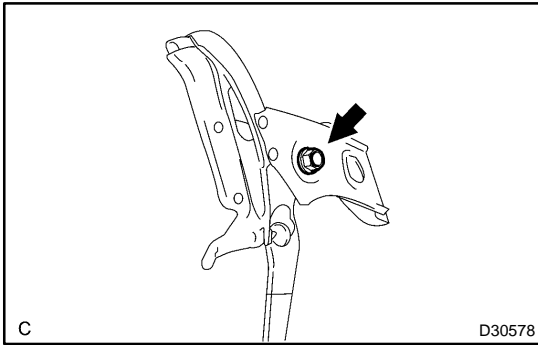
HINT:

Install the clevis bush from the left side of the vehicle.

**10. INSTALL CLUTCH PEDAL BUSH**

- (a) Apply MP grease to both sides of 2 new bushes.
 (b) Install the 2 bushes to the clutch pedal.

11. INSTALL CLUTCH PEDAL PAD

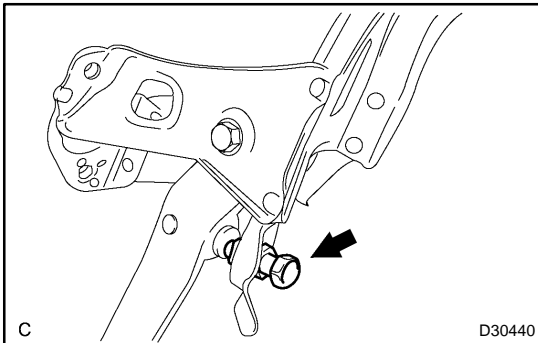
**12. INSTALL CLUTCH PEDAL SUB-ASSY**

- (a) Install the clutch pedal on the clutch pedal support with the clutch pedal shaft and the nut.

Torque: 37 N·m (375 kgf·cm, 27 ft·lbf)

HINT:

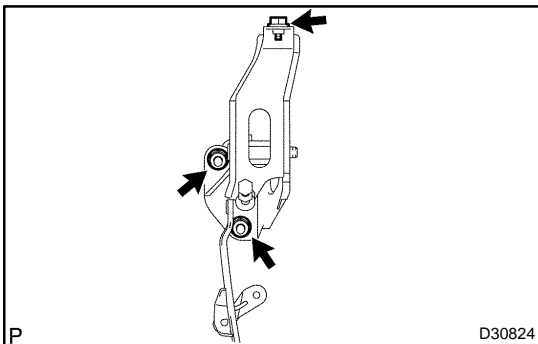
Install the clutch pedal shaft from the left side of the vehicle.

**13. INSTALL CLUTCH PEDAL STOPPER BOLT**

- (a) Install the lock nut on the clutch pedal stopper bolt but do not torque.
- (b) Install the clutch pedal stopper bolt such that its end touches the clutch pedal cushion.

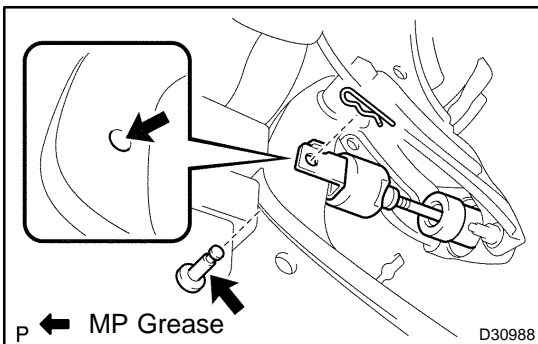
HINT:

Temporarily tighten the lock nut.

**14. INSTALL CLUTCH PEDAL SUPPORT SUB-ASSY**

- (a) Install the clutch pedal support on the vehicle with the 2 nuts and the bolt.

Torque: 12 N·m (120 kgf·cm, 9 ft·lbf)

**15. INSTALL CLUTCH MASTER CYLINDER PUSH ROD CLEVIS W/HOLE PIN**

- (a) Apply MP grease to the contact surface of the hole pin and the clevis bush.
- (b) Connect the clevis to the clutch pedal with the hole pin.

HINT:

Install the hole pin from the right side of the vehicle.

16. INSTALL CLUTCH PEDAL SPRING**17. INSPECT AND ADJUST CLUTCH PEDAL SUB-ASSY (See page 42-2)**