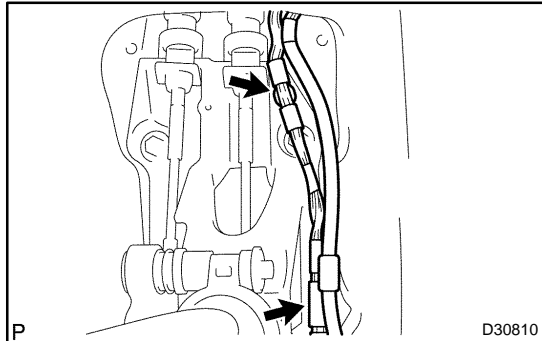


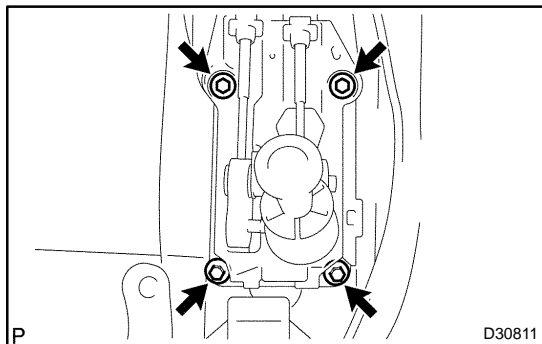
## REPLACEMENT

1. REMOVE SHIFT LEVER KNOB SUB-ASSY (See page 71-21)
2. REMOVE CONSOLE BOX SUB-ASSY REAR (See page 71-21)

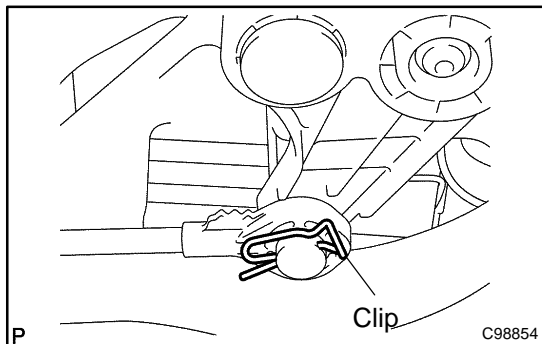


### 3. SEPARATE FLOOR SHIFT SHIFT LEVER ASSY

- (a) Separate the wire harness.

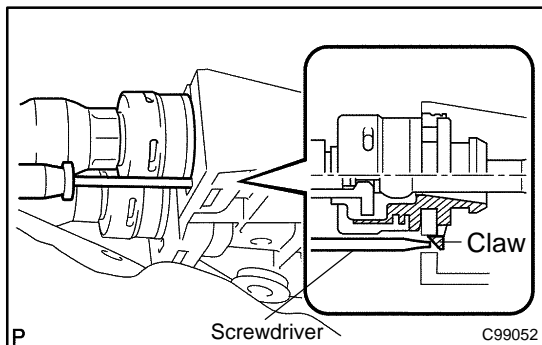


- (b) Remove the 4 bolts and the shift lever assy.

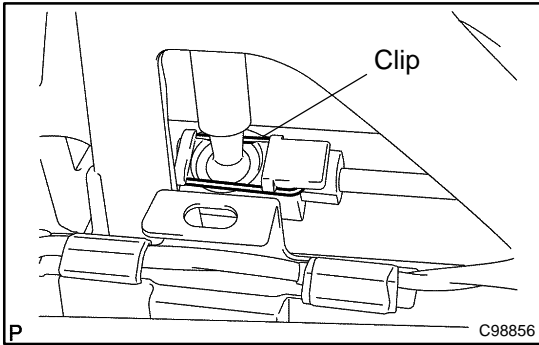


### 4. SEPARATE TRANSMISSION CONTROL CABLE ASSY

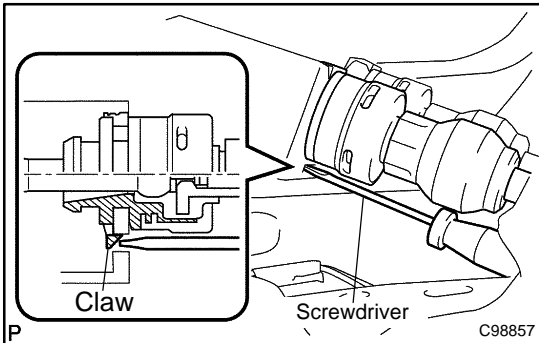
- (a) Remove the clip, and separate the cable end of the transmission control select cable from the floor shift shift lever assy.



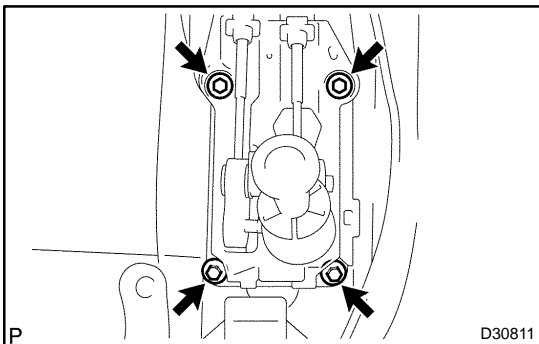
- (b) Using a screwdriver, release the claw.
- (c) Separate the transmission control select cable from the floor shift shift lever assy.



- (d) Remove the clip, and separate the cable end of the transmission control shift cable from the floor shift shift lever assy.

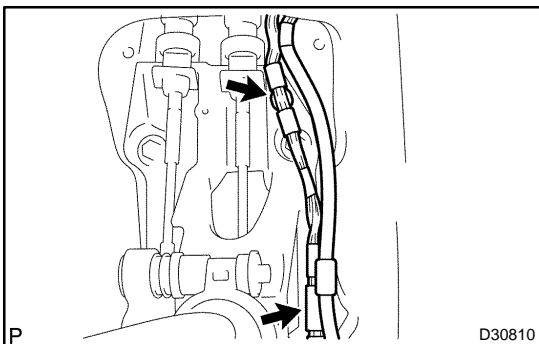


- (e) Using a screwdriver, release the claw.
- (f) Separate the transmission control shift cable from the floor shift shift lever assy.

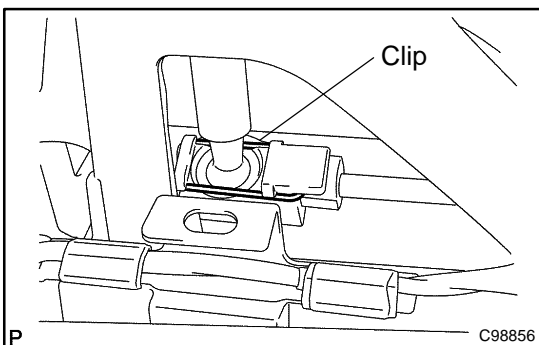


**5. INSTALL FLOOR SHIFT SHIFT LEVER ASSY**

- (a) Install the shift lever assy with the 4 bolts.  
**Torque: 12 N·m (120 kgf·cm, 9 ft·lbf)**

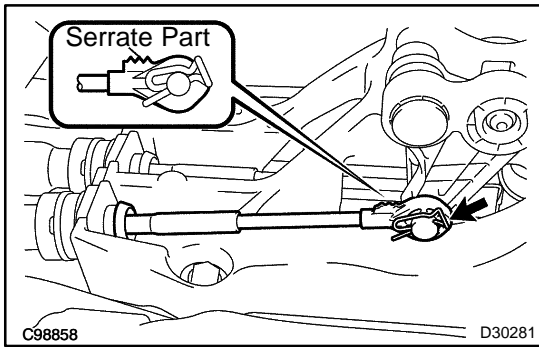


- (b) Install the wire harness.



**6. CONNECT TRANSMISSION CONTROL CABLE ASSY**

- (a) Connect the transmission control shift cable to the floor shift shift lever assy.
- (b) Connect the end of the transmission control shift cable to the floor shift shift lever assy and install the clip.



- (c) Connect the transmission control select cable to the floor shift lever assy.
- (d) Connect the end of the transmission control select cable to the floor shift lever assy and install the clip.

**NOTICE:**

- The serrate part of the select cable point should face upward when the select cable point is connected.
- The clip should be inserted in the direction as shown in the illustration.

7. **INSTALL CONSOLE BOX SUB-ASSY REAR (See page 71-21)**
8. **INSTALL SHIFT LEVER KNOB SUB-ASSY (See page 71-21)**