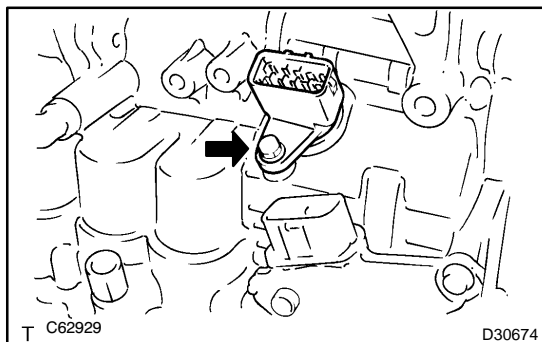


TRANSMISSION WIRE (ATM)

REPLACEMENT

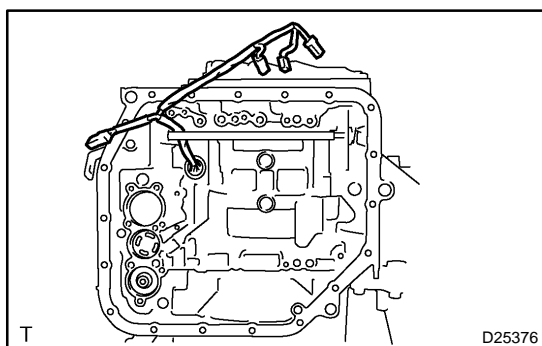
40148-01

1. REMOVE TRANSMISSION VALVE BODY ASSY (See page 40-24)



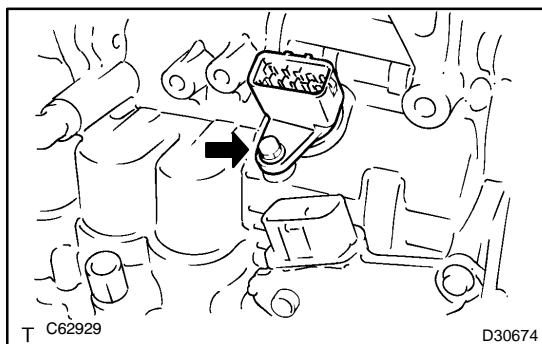
2. REMOVE TRANSMISSION WIRE

- (a) Remove the bolt and transmission wire.



3. INSTALL TRANSMISSION WIRE

- (a) Coat an O-ring with ATF.
 (b) Install the transmission wire.



- (c) Install the bolt.
Torque: 5.4 N·m (55 kgf·cm, 48 in·lbf)

4. INSTALL TRANSMISSION VALVE BODY ASSY (See page 40-24)

5. RESET MEMORY (See page 05-391)