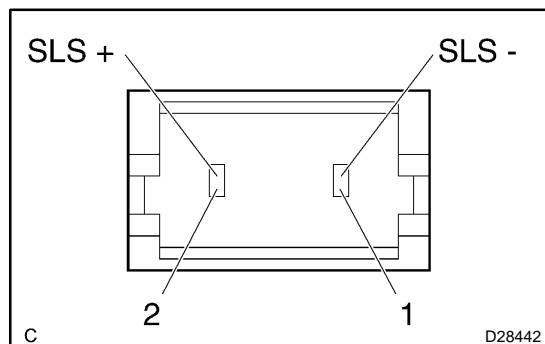


SHIFT LOCK SOLENOID (ATM) INSPECTION

4011Q-02



1. INSPECT SHIFT LOCK SOLENOID

- (a) Disconnect the solenoid connector.
- (b) Apply battery positive voltage between terminals 1 and 2. Check that operation noise can be heard from the solenoid.

If the solenoid does not operate, replace the solenoid.