
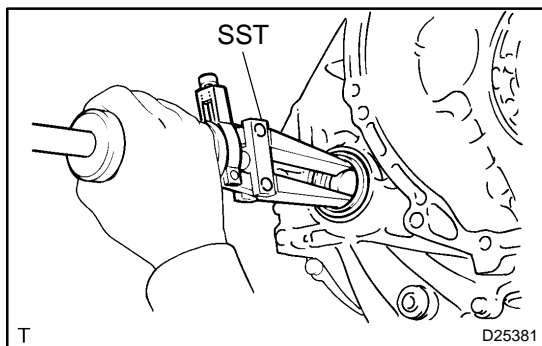


FRONT DIFFERENTIAL OIL SEAL (ATM)

4014A-01

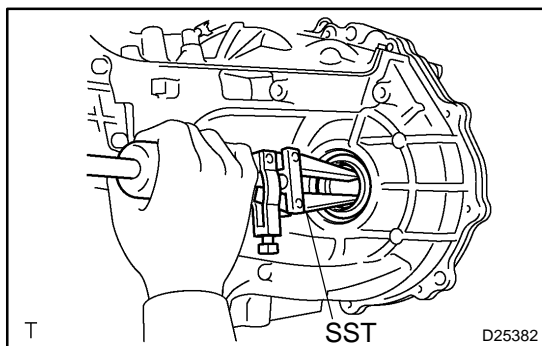
REPLACEMENT

1. REMOVE FRONT WHEELS
2. REMOVE ENGINE UNDER COVER RH
3. REMOVE ENGINE UNDER COVER LH
4. DRAIN AUTOMATIC TRANSAXLE FLUID
 - (a) Remove the drain plug and gasket, and drain ATF.
 - (b) Install a new gasket and the drain plug.
Torque: 49 N·m (500 kgf·cm, 36 ft·lbf)
5. REMOVE FRONT DRIVE SHAFT ASSY RH (See page 30-6) 
6. REMOVE FRONT DRIVE SHAFT ASSY LH (See page 30-6)
SST 09520-01010, 09520-24010 (09520-32040)



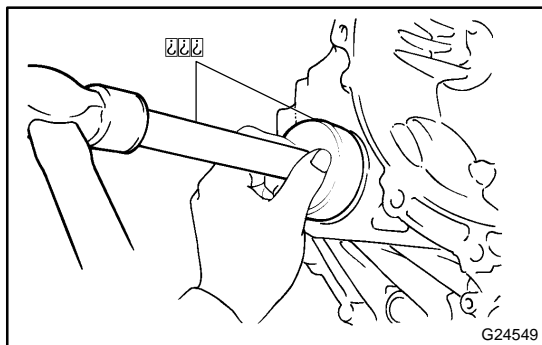
7. REMOVE FRONT TRANSAXLE CASE OIL SEAL(RH)

- (a) Using SST, pull out the oil seal.
SST 09308-00010



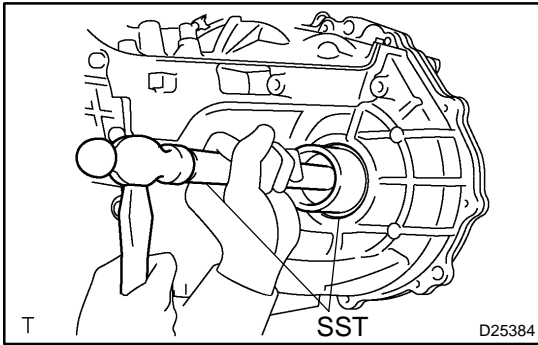
8. REMOVE TRANSAXLE CASE OIL SEAL(LH)

- (a) Using SST, pull out the oil seal.
SST 09308-00010



9. INSTALL FRONT TRANSAXLE CASE OIL SEAL(RH)

- (a) Using SST and a hammer, drive in a new oil seal.
SST 09554-14010, 09950-70010 (09951-07200)
Oil seal drive in depth:
2.0 ± 0.5 mm (0.079 ± 0.020 in.)
- (b) Coat the lip of the oil seal with MP grease.

**10. INSTALL TRANSAXLE CASE OIL SEAL(LH)**

- (a) Using SST and a hammer, drive in a new oil seal.
 SST 09726-27012 (09726-02041), 09950-70010
 (09951-07200)

Oil seal drive in depth:

5.9 ± 0.5 mm (0.232 ± 0.020 in.)

- (b) Coat the lip of the oil seal with MP grease.

11. **INSTALL FRONT DRIVE SHAFT ASSY LH (See page 30-6)**
12. **INSTALL FRONT DRIVE SHAFT ASSY RH (See page 30-6)**
13. **INSTALL ENGINE UNDER COVER LH**
14. **INSTALL ENGINE UNDER COVER RH**
15. **INSTALL FRONT WHEELS**
 Torque: 103 N·m (1050 kgf·cm, 76 ft·lbf)
16. **ADD AUTOMATIC TRANSAXLE FLUID**
17. **INSPECT AUTOMATIC TRANSAXLE FLUID (See page 40-2)**
18. **INSPECT AND ADJUST FRONT WHEEL ALIGNMENT (See page 26-7)**
19. **CHECK ABS SPEED SENSOR SIGNAL (See page 05-269)**