

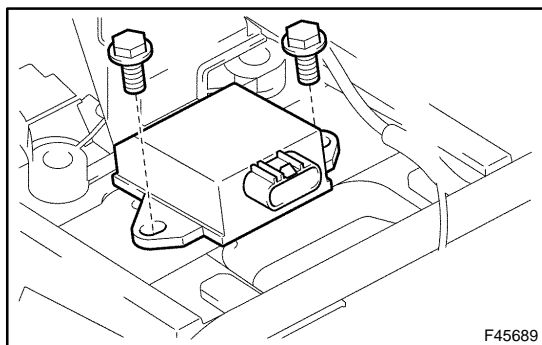
# YAWRATE SENSOR REPLACEMENT

320Y6-01

## NOTICE:

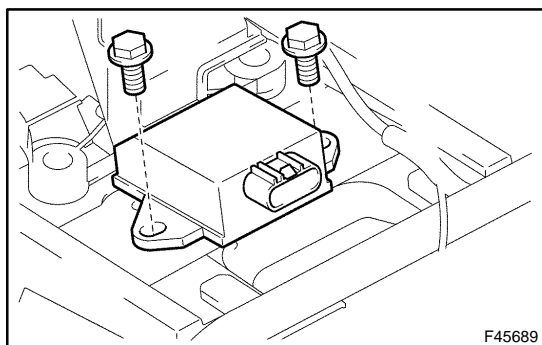
- Don't use the dropped or damaged yawrate sensor.
- Free from the foreing matters between yawrate sensor bracket and body.
- Make sure the sensor direction.

### 1. REMOVE CONSOLE BOX SUB-ASSY REAR



### 2. REMOVE YAWRATE SENSOR

- Disconnect the yawrate sensor connector.
- Remove the 2 bolts and yawrate sensor.



### 3. INSTALL YAWRATE SENSOR

- Connect the yawrate sensor connector.
- Install the yawrate sensor with the 2 bolts.

**Torque: 14 N·m (143 kgf·cm, 10 ft·lbf)**

### 4. INSTALL CONSOLE BOX SUB-ASSY REAR

### 5. PERFORM YAWRATE SENSOR ZERO POINT CALIBRATION (See page [05-279](#))

### 6. CHECK VSC SENSOR SIGNAL (See page [05-265](#))