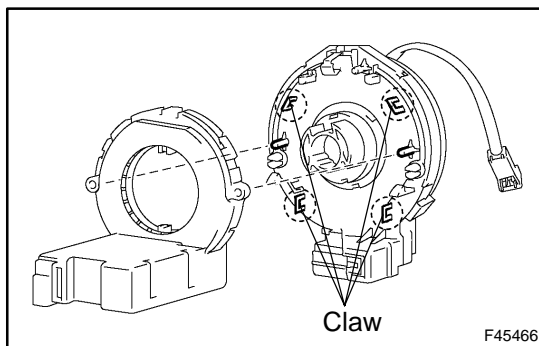


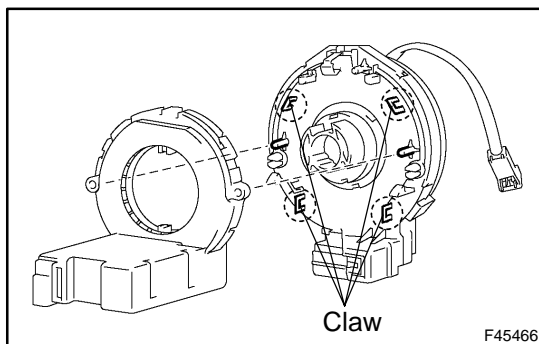
STEERING SENSOR REPLACEMENT

1. PRECAUTION (See page 60-1)
2. SEPARATE BATTERY NEGATIVE TERMINAL
3. PLACE FRONT WHEELS FACING STRAIGHT AHEAD
4. REMOVE HORN BUTTON ASSY (See page 50-8)
5. REMOVE STEERING WHEEL ASSY (See page 50-8)
6. REMOVE STEERING COLUMN COVER (See page 50-8)
7. REMOVE SPIRAL CABLE SUB-ASSY (See page 60-22)



8. REMOVE STEERING SENSOR

- (a) Release 4 claw fittings and remove the steering sensor from the spiral cable.



9. INSTALL STEERING SENSOR

- (a) Install the steering sensor to the spiral cable.

NOTICE:

- Install the claw securely.
- Do not damage the claw.

10. ADJUST CENTER FRONT WHEEL
11. INSTALL SPIRAL CABLE SUB-ASSY (See page 60-22)
12. CENTER SPIRAL CABLE (See page 60-22)
13. INSTALL STEERING WHEEL ASSY (See page 50-8)
14. INSPECT STEERING WHEEL CENTER POINT
15. INSTALL HORN BUTTON ASSY (See page 60-13)
16. INSPECT HORN BUTTON ASSY (See page 60-13)
17. INSPECT SRS WARNING LIGHT (See page 05-451)
18. PERFORM VSC SYSTEM CALIBRATION (See page 05-279)
19. ABS WARNING LIGHT AND VSC WARNING LIGHT (See page 05-265)