

SPEED SENSOR FRONT LH

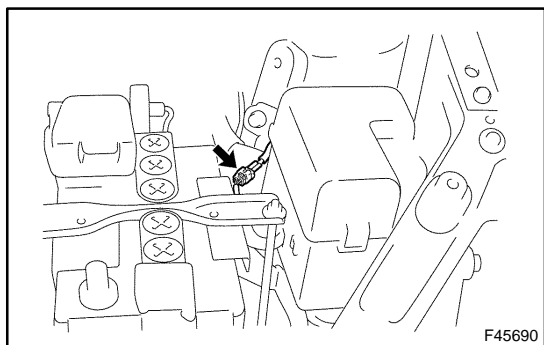
REPLACEMENT

320Y4-01

HINT:

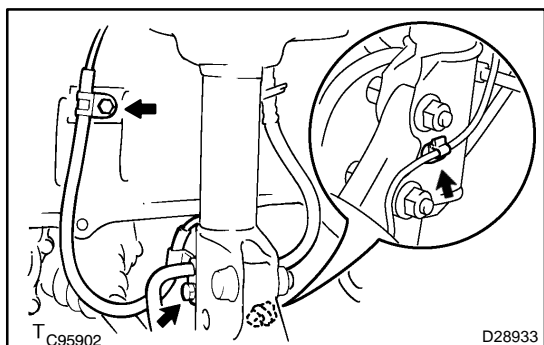
Replace the RH side by using the same procedures as those for the LH side.

1. REMOVE FRONT WHEEL
2. REMOVE BATTERY

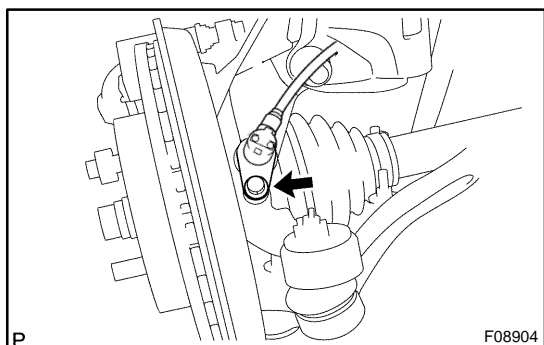


3. REMOVE SPEED SENSOR FRONT LH

- (a) Disconnect the speed sensor connector.



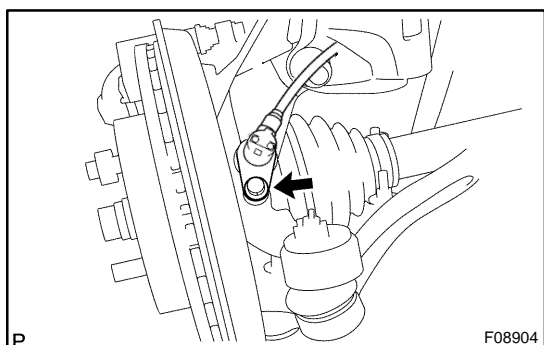
- (b) Remove the 2 clamp bolts holding the speed sensor wire harness from the body and the shock absorber.
- (c) Disconnect the resin clip and the speed sensor wire harness from the shock absorber.



- (d) Remove the bolt and the speed sensor front LH.

NOTICE:

Prevent foreign matter from attaching to the sensor tip.

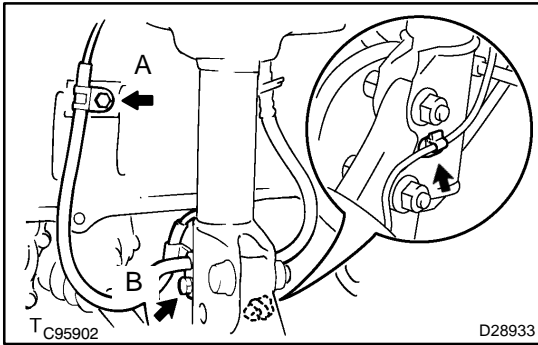


4. INSTALL SPEED SENSOR FRONT LH

- (a) Install the speed sensor front LH with the bolt.
Torque: 8.0 N·m (82 kgf·cm, 71 in.-lbf)

NOTICE:

Prevent foreign matter from attaching to the sensor tip.



- (b) Install the speed sensor wire harness with the 2 bolts on the body and the shock absorber.

Torque:

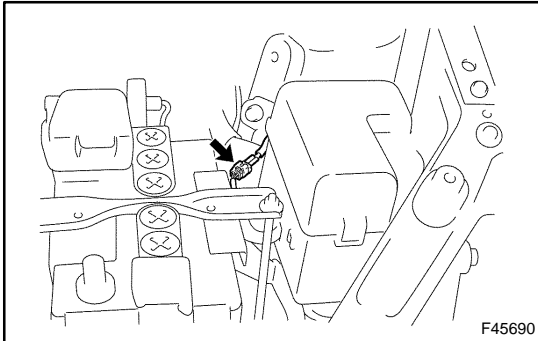
Bolt A: 8.0 N·m (82 kgf·cm, 71 in·lbf)

Bolt B: 29 N·m (300 kgf·cm, 22 ft·lbf)

NOTICE:

Do not twist the sensor wire when installing the sensor.

- (c) Connect the resin clip and the speed sensor wire harness to the shock absorber.



- (d) Connect the speed sensor connector.

5. INSTALL FRONT WHEEL

Torque: 103 N·m (1,050 kgf·cm, 76 ft·lbf)

6. INSTALL BATTERY

7. CHECK ABS SPEED SENSOR SIGNAL (See page [05-265](#))