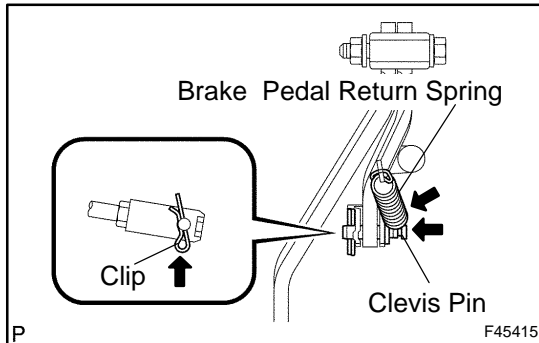
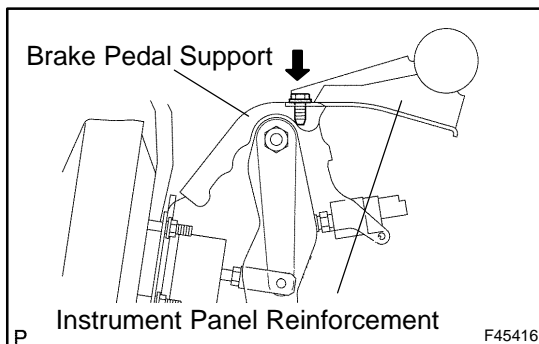


REPLACEMENT

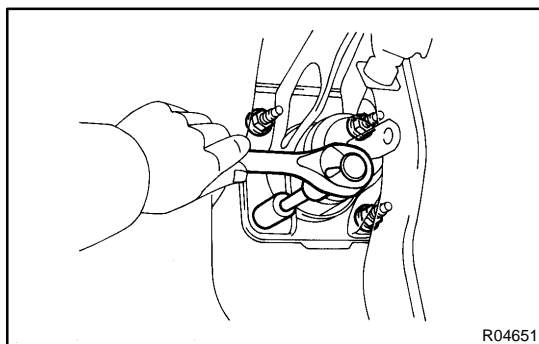
1. DISCONNECT BATTERY NEGATIVE TERMINAL
2. REMOVE INSTRUMENT PANEL SUB-ASSY (See page 71-11)



3. SEPARATE MASTER CYLINDER PUSH ROD CLEVIS
 - (a) Disconnect the stop lamp switch connector.
 - (b) Remove the brake pedal return spring.
 - (c) Remove the clip and the clevis pin and separate the master cylinder push rod clevis from the brake pedal sub-assy.



4. REMOVE BRAKE PEDAL SUPPORT ASSY
 - (a) Remove the bolt from the brake pedal support assy.



- (b) Remove the 4 nuts and the brake pedal support assy.

5. REMOVE BRAKE PEDAL SUB-ASSY

- (a) Remove the brake pedal shaft and the nut from the brake pedal support sub-assy.
- (b) Remove the brake pedal sub-assy and the 2 bushes.

6. REMOVE STOP LAMP SWITCH ASSY

- (a) Loosen the stop lamp switch lock nut.
- (b) Remove the stop lamp switch assy from the brake pedal support sub-assy.

7. REMOVE BRAKE PEDAL PAD

- (a) Remove the brake pedal pad from the brake pedal support sub-assy.

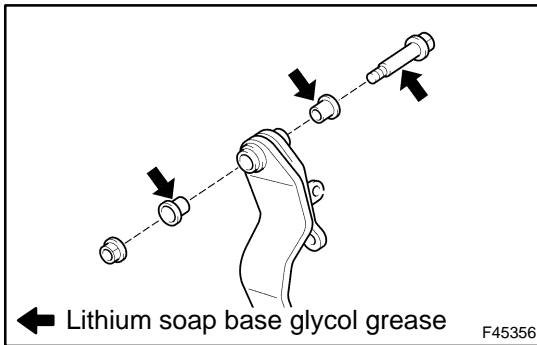
8. INSTALL BRAKE PEDAL PAD

- (a) Install the brake pedal pad to the brake pedal support sub-assy.

9. INSTALL STOP LAMP SWITCH ASSY

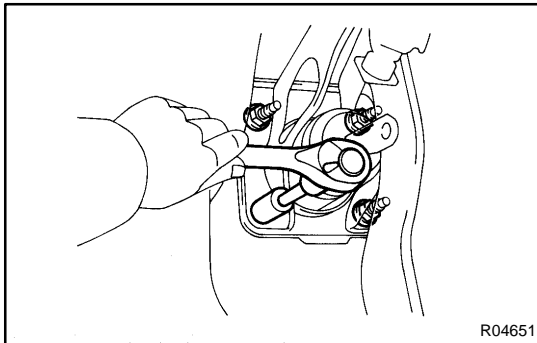
- (a) Install the stop lamp switch assy with the nut.

Torque: 26 N·m (265 kgf·cm, 19 ft·lbf)

**10. INSTALL BRAKE PEDAL SUB-ASSY**

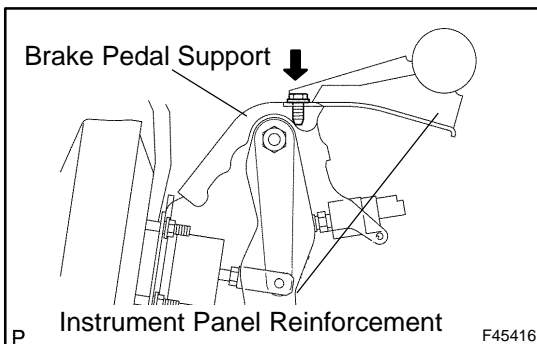
- (a) Apply lithium soap base glycol grease to the ends and sides of 2 new brake pedal bushes.
- (b) Install the brake pedal sub-assy and the 2 brake pedal bushes on the brake pedal support with the brake pedal shaft and the nut.

Torque: 37 N·m (375 kgf·cm, 27 ft·lbf)

**11. INSTALL BRAKE PEDAL SUPPORT ASSY**

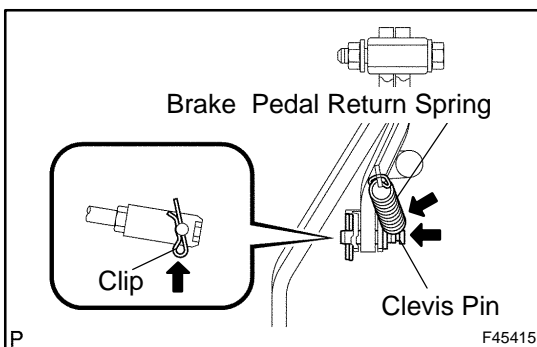
- (a) Install the brake pedal support assy with the 4 nuts.

Torque: 13 N·m (130 kgf·cm, 9 ft·lbf)



- (b) Install the bolt on the brake pedal support assy.

Torque: 21 N·m (214 kgf·cm, 15 ft·lbf)

**12. CONNECT MASTER CYLINDER PUSH ROD CLEVIS**

- (a) Apply lithium soap base glycol grease to the clevis pin.
- (b) Install the clevis pin and the clip.

NOTICE:

The direction for the clip installation is as follows.

- (c) Install the brake pedal return spring.
- (d) Connect the stop lamp switch connector to the stop lamp switch assy.

13. INSTALL INSTRUMENT PANEL SUB-ASSY (See page 71-11)

14. CHECK AND ADJUST BRAKE PEDAL HEIGHT (See page 32-8)

15. CHECK PEDAL FREE PLAY (See page 32-8)

16. CHECK PEDAL RESERVE DISTANCE (See page 32-8)

17. INSPECT SRS WARNING LIGHT (W/ SRS AIRBAG) (See page 05-451)