

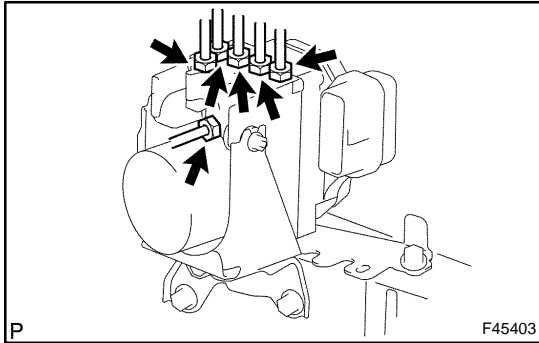
## REPLACEMENT

### 1. DRAIN BRAKE FLUID

#### NOTICE:

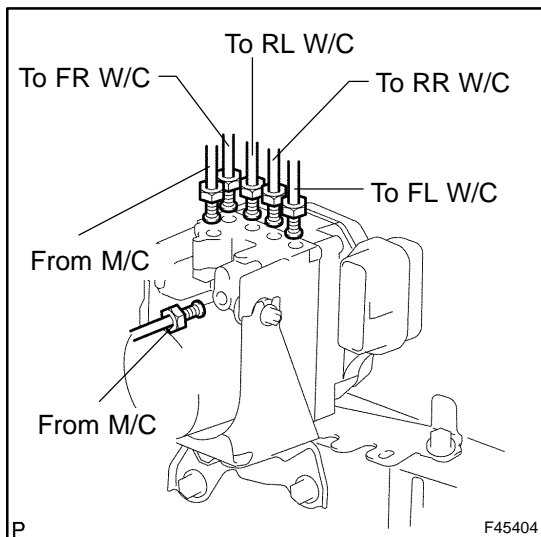
Wash the brake fluid off immediately if it adheres to any painted surfaces.

### 2. REMOVE BATTERY

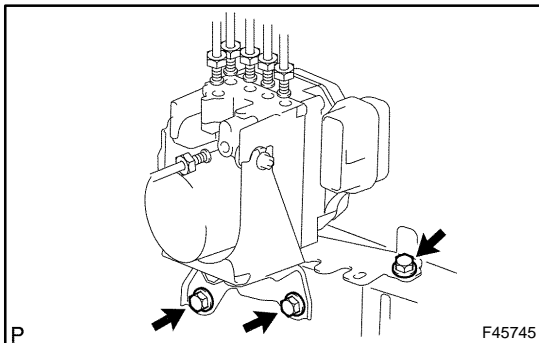


### 3. REMOVE BRAKE ACTUATOR WITH BRACKET

- (a) Release the latch of the actuator connector to disconnect the connector.
- (b) Using SST, disconnect the 6 brake tubes from the brake actuator.  
SST 09023-00100



- (c) Attach tags or make a memo to identify the place to reconnect.



- (d) Remove the 3 bolts and brake actuator with bracket.

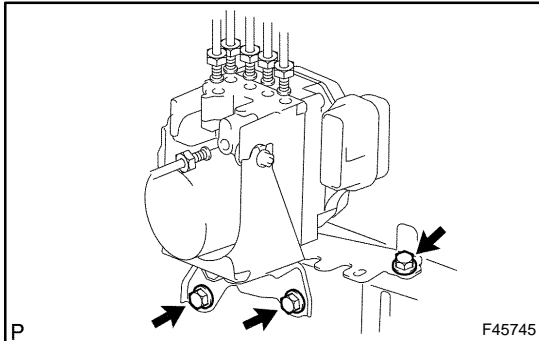
**4. REMOVE BRAKE ACTUATOR ASSY**

- (a) Remove the nut, 2 bolts and brake actuator assy from the brake actuator bracket.

**5. INSTALL BRAKE ACTUATOR ASSY**

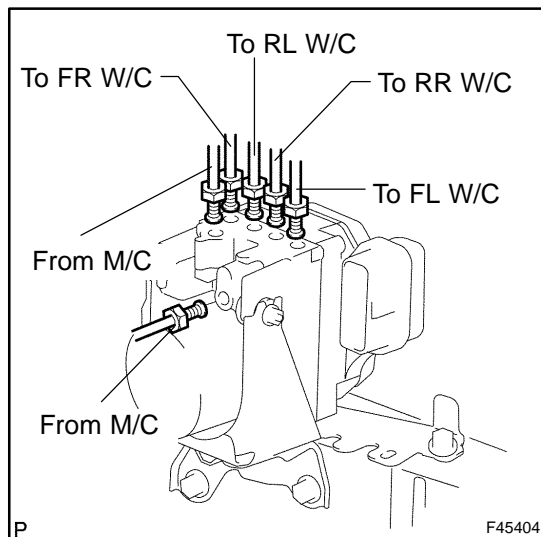
- (a) Install the brake actuator with the 2 nuts to the brake actuator bracket.

**Torque: 5.4 N·m (55 kgf·cm, 48 in·lbf)**

**6. INSTALL BRAKE ACTUATOR WITH BRACKET**

- (a) Install the brake actuator with bracket with the 3 bolts.

**Torque: 19 N·m (194 kgf·cm, 14 ft·lbf)**



- (b) Using SST, connect the 6 brake tubes to the correct positions of brake actuator, as shown in the illustration.

SST 09023-00100

**Torque: 15 N·m (155 kgf·cm, 11 ft·lbf)**

- (c) Connect the brake actuator connector.

**7. INSTALL BATTERY****8. FILL RESERVOIR WITH BRAKE FLUID (See page 32-4)****9. BLEED MASTER CYLINDER (See page 32-4)**

SST 09023-00100

**10. BLEED BRAKE LINE (See page 32-4)****11. CHECK FLUID LEVEL IN RESERVOIR (See page 32-4)****12. CHECK FOR BRAKE FLUID LEAKAGE****13. CHECK BRAKE ACTUATOR WITH HAND-HELD TESTER (See page 05-265)**