

REAR AXLE BEAM ASSY REPLACEMENT

270F6-01

HINT:

COMPONENTS: See page 27-3

1. REMOVE REAR WHEEL
2. SEPARATE SKID CONTROL SENSOR WIRE (See page 32-43)
3. SEPARATE REAR BRAKE TUBE NO.4 (See page 32-30)
SST 09023-00100
4. SEPARATE REAR BRAKE TUBE NO.3
SST 09023-00100

HINT:

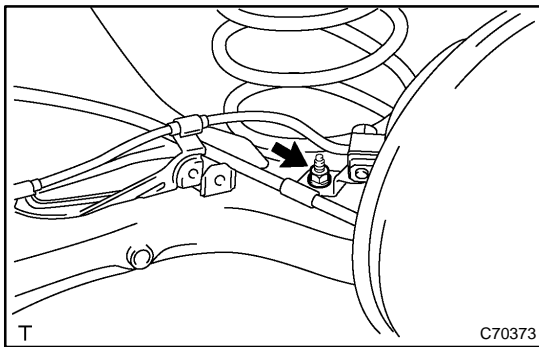
Disconnection of the rear brake tube No.3 is the same as that of the rear brake tube No.4.

5. SEPARATE PARKING BRAKE CABLE ASSY NO.3 (See page 33-6)
6. SEPARATE PARKING BRAKE CABLE ASSY NO.2

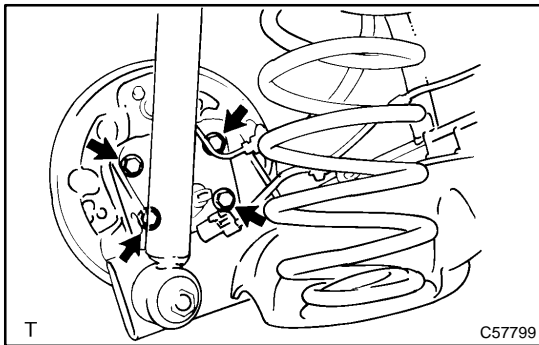
HINT:

Removal of the RH is the same as that of the LH.

7. REMOVE REAR BRAKE DRUM SUB-ASSY



8. REMOVE REAR AXLE HUB & BEARING ASSY LH
 - (a) Remove the nut and separate the parking brake cable assy No.3 from the axle beam.



- (b) Remove the 4 bolts and the rear axle hub & bearing assy LH.
 - (c) Separate the rear brake assy from the rear axle assy.

9. REMOVE REAR AXLE HUB & BEARING ASSY RH

HINT:

Removal of the RH is the same as that of the LH.

10. LOOSEN REAR AXLE BEAM ASSY
11. SEPARATE SHOCK ABSORBER ASSY REAR LH (See page 27-4)
12. SEPARATE SHOCK ABSORBER ASSY REAR RH

HINT:

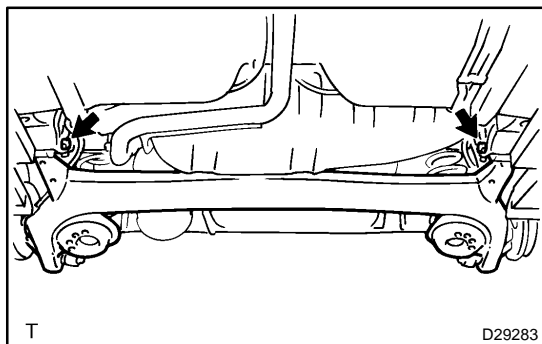
Removal of the RH is the same as that of the LH.

13. REMOVE COIL SPRING REAR LH (See page 27-7)

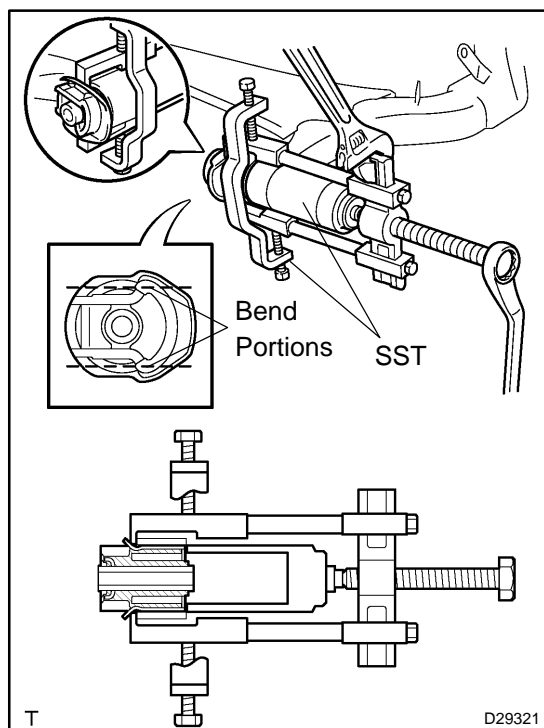
14. REMOVE COIL SPRING REAR RH

HINT:

Removal of the RH is the same as that of the LH.

**15. REMOVE REAR AXLE BEAM ASSY**

- (a) Support the rear axle beam with a jack.
- (b) Remove the 2 bolts and the rear axle beam.

**16. REMOVE REAR AXLE CARRIER BUSH LH**

- (a) Using a chisel and a hammer, bend the 2 portions of the bushing rib.

HINT:

Bend the bushing rib until the claw of SST can be hung.

- (b) Using SST, remove the bushing from the axle beam.

SST 09309-37010, 09950-40011 (09951-04010, 09952-04010, 09953-04010, 09954-04020, 09955-04051, 09957-04010, 09958-04011)

NOTICE:

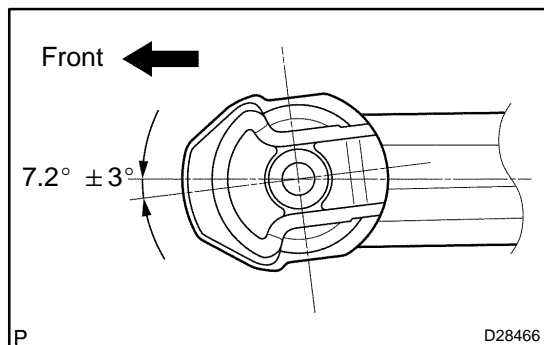
If the axle beam has been scratched, apply the paint.

17. REMOVE REAR AXLE CARRIER BUSH LH

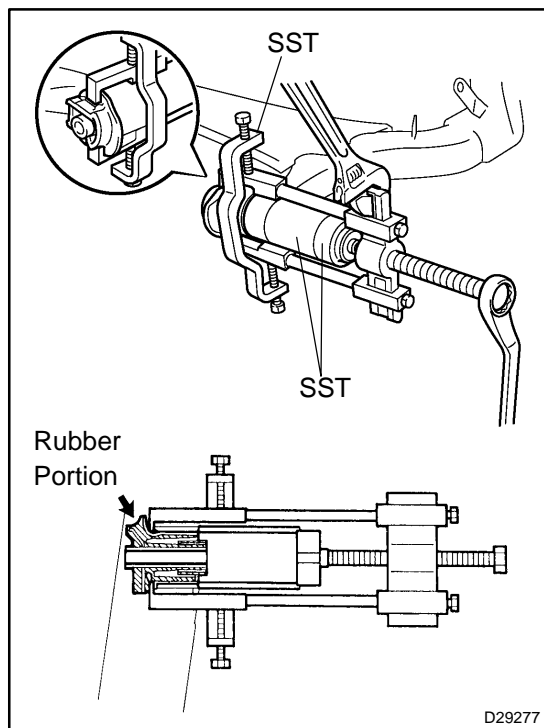
SST 09309-37010, 09950-40011 (09951-04010, 09952-04010, 09953-04010, 09954-04020, 09955-04051, 09957-04010, 09958-04011)

HINT:

Removal of the RH is the same as that of the LH.

**18. INSTALL REAR AXLE CARRIER BUSH LH**

- (a) Position the rear axle carrier bush LH with the rear axle beam as shown in the illustration.



- (b) Using SST, install the bushing on the axle beam.
 SST 09710-14013 (09710-00021), 09950-40011 (09951-04010, 09952-04010, 09953-04030, 09954-04020, 09955-04031, 09957-04010, 09958-04011), 09950-60010 (09951-00560)

NOTICE:

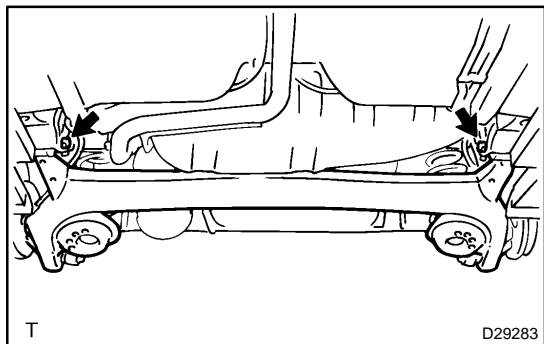
- Hang the claw of SST to the bushing deeply and firmly.
- Do not scratch the rubber portion of the bushing.
- Do not deform the bushing rib.

19. INSTALL REAR AXLE CARRIER BUSH RH

SST 09710-14013 (09710-00021), 09950-40011 (09951-04010, 09952-04010, 09953-04030, 09954-04020, 09955-04031, 09957-04010, 09958-04011), 09950-60010 (09951-00560)

HINT:

Removal of the RH is the same as that of the LH.

**20. TEMPORARILY TIGHTEN REAR AXLE BEAM ASSY**

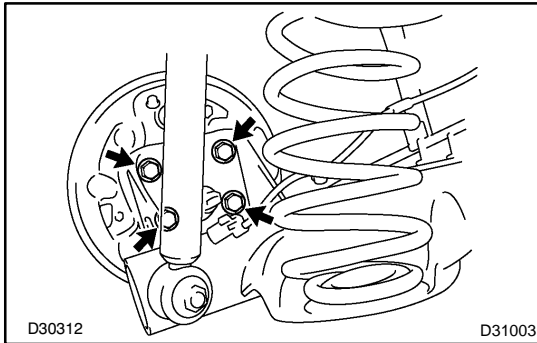
- (a) Support the rear axle beam with a jack.
 (b) Install the rear axle beam, and temporarily tighten the 2 bolts.

21. INSTALL COIL SPRING REAR LH (See page 27-7)**22. INSTALL COIL SPRING REAR RH****HINT:**

Installation of the RH is the same as that of the LH.

23. TEMPORARILY TIGHTEN SHOCK ABSORBER ASSY REAR LH**24. TEMPORARILY TIGHTEN SHOCK ABSORBER ASSY REAR RH****HINT:**

Installation of the RH is the same as that of the LH.

**25. INSTALL REAR AXLE HUB & BEARING ASSY LH**

- (a) Install the rear brake assy and the rear axle hub & bearing assy LH with the 4 bolts.

Torque: 63 N·m (642 kgf·cm, 46 ft·lbf)

26. INSTALL REAR AXLE HUB & BEARING ASSY RH

HINT:

Installation of the RH is the same as that of the LH.

27. INSTALL REAR BRAKE DRUM SUB-ASSY**28. ADJUST REAR DRUM BRAKE SHOE CLEARANCE (See page 32-30)****29. CONNECT PARKING BRAKE CABLE ASSY NO.3 (See page 33-6)****30. CONNECT PARKING BRAKE CABLE ASSY NO.2**

HINT:

Removal of the RH is the same as that of the LH.

31. CONNECT REAR BRAKE TUBE NO.4 (See page 32-30)

SST 09023-00100

32. CONNECT REAR BRAKE TUBE NO.3

SST 09023-00100

HINT:

Removal of the RH is the same as that of the LH.

33. CONNECT SKID CONTROL SENSOR WIRE (See page 32-43)**34. FULLY TIGHTEN REAR AXLE BEAM ASSY**

Torque: 82 N·m (836 kgf·cm, 60 ft·lbf)

35. FULLY TIGHTEN SHOCK ABSORBER ASSY REAR LH (See page 27-4)**36. FULLY TIGHTEN SHOCK ABSORBER ASSY REAR RH**

HINT:

Removal of the RH is the same as that of the LH.

37. BLEED BRAKE LINE (See page 32-4)**38. INSTALL REAR WHEEL**

Torque: 103 N·m (1,050 kgf·cm, 76 ft·lbf)

39. INSPECT REAR WHEEL ALIGNMENT (See page 27-2)**40. CHECK ABS SPEED SENSOR SIGNAL (See page 05-269)**