

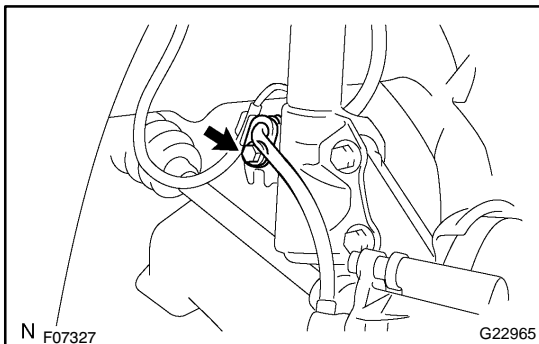
FRONT SHOCK ABSORBER WITH COIL SPRING OVERHAUL

260F5-01

HINT:

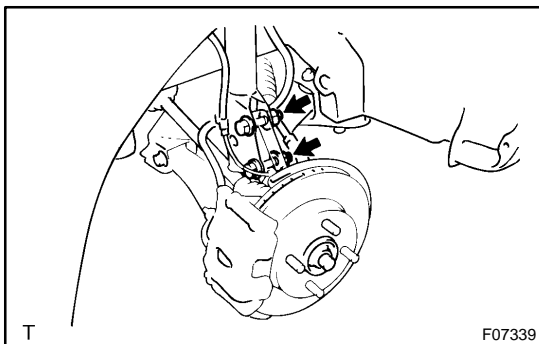
COMPONENTS: See page 26-2

1. REMOVE WINDSHIELD WIPER ARM COVER (See page 66-6)
2. REMOVE FR WIPER ARM LH (See page 66-6)
3. REMOVE FR WIPER ARM RH (See page 66-6)
4. REMOVE HOOD TO COWL TOP SEAL (See page 66-6)
5. REMOVE COWL TOP VENTILATOR LOUVER LH (See page 66-6)
6. REMOVE COWL TOP VENTILATOR LOUVER RH (See page 66-6)
7. REMOVE WINDSHIELD WIPER LINK ASSY (See page 66-6)
8. REMOVE COWL TOP PANEL OUTER
 - (a) Disconnect the hose and the wire harness (Wiper).
 - (b) Remove the cowl top panel outer with the 8 bolts.
9. REMOVE FRONT WHEEL



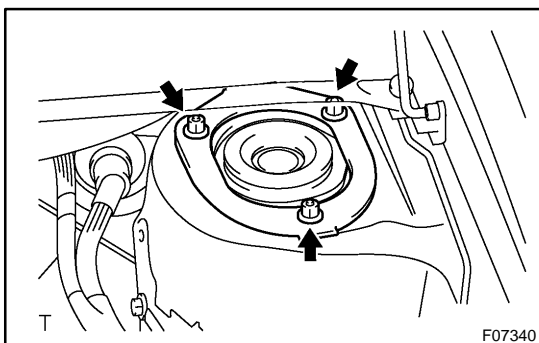
10. DISCONNECT FLEXIBLE HOSE

- (a) Remove the bolt and disconnect the flexible hose and the speed sensor wire harness clamp from the shock absorber bracket.

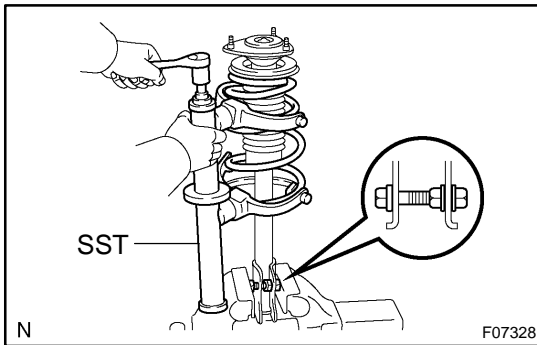


11. REMOVE FRONT SHOCK ABSORBER WITH COIL SPRING

- (a) Remove the 2 nuts and the bolts, and disconnect the shock absorber from the steering knuckle.



- (b) Remove the shock absorber with coil spring with the 3 nuts.
- (c) Remove suspension support No.2.



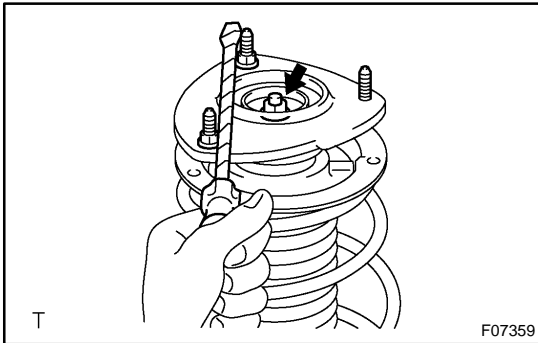
- 12. FIX FRONT SHOCK ABSORBER WITH COIL SPRING**
- Install the 2 nuts and bolt on the bracket at the lower side of the shock absorber and secure it in a vise.
 - Using SST, compress the coil spring.
SST 09727-30021 (09727-00010, 09727-00021, 09727-00031)

NOTICE:

Do not use an impact wrench. It will damage the SST.

13. REMOVE FRONT SUSPENSION SUPPORT DUST COVER LH

- Remove the dust cover from the suspension support.

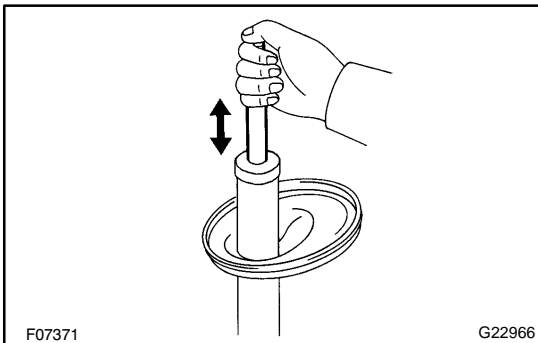
**14. REMOVE FRONT SUPPORT TO FRONT SHOCK ABSORBER LH NUT**

- Using the 2 nuts and a screwdriver or an equivalent to secure the front shock absorber hold, remove the center nut.

NOTICE:

Be careful not to damage the suspension support stud bolts.

- REMOVE FRONT SUSPENSION SUPPORT SUB-ASSY LH
- REMOVE FRONT SUSPENSION SUPPORT LH DUST SEAL
- REMOVE FRONT COIL SPRING SEAT UPPER LH
- REMOVE FRONT COIL SPRING INSULATOR UPPER LH
- REMOVE FRONT COIL SPRING LH
- REMOVE FRONT SPRING BUMPER LH
- REMOVE SHOCK ABSORBER ASSY FRONT LH

**22. INSPECT SHOCK ABSORBER ASSY FRONT LH**

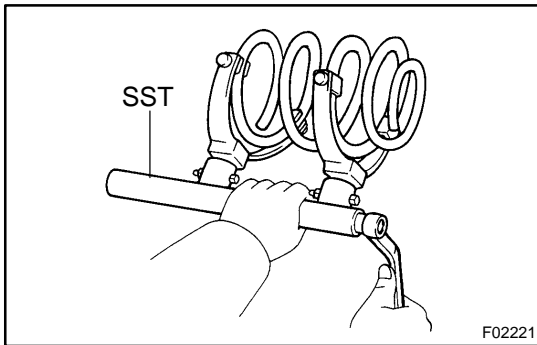
- Compress and extend the shock absorber rod and check that there is no abnormal resistance or unusual sound during operation.

If there is any abnormality, replace the shock absorber with a new one.

NOTICE:

When disposing of the shock absorber, see **DISPOSAL** on page 26-14.

- INSTALL SHOCK ABSORBER ASSY FRONT LH
- INSTALL FRONT SPRING BUMPER LH

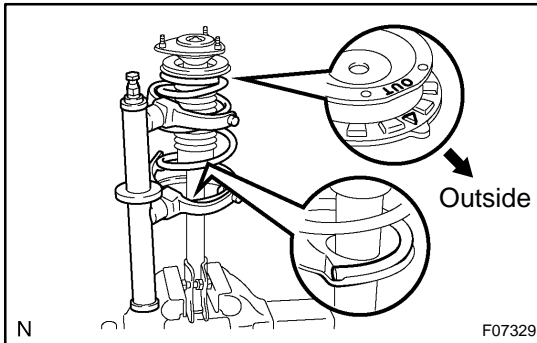
**25. INSTALL FRONT COIL SPRING LH**

- (a) Using SST, compress the coil spring.

SST 09727-30021 (09727-00010, 09727-00021, 09727-00031)

NOTICE:

Do not use an impact wrench. It will damage the SST.



- (b) Install the coil spring on the shock absorber.

HINT:

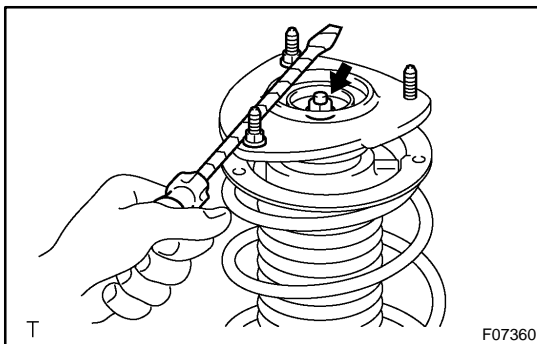
Fit the lower end of the coil spring into the gap of the spring lower seat.

26. INSTALL FRONT COIL SPRING INSULATOR UPPER LH

- (a) Install the upper insulator with the "U" mark facing the outside of the vehicle.

27. INSTALL FRONT COIL SPRING SEAT UPPER LH

- (a) Install the spring upper seat with the "OUT" mark facing the outside of the vehicle.

28. INSTALL FRONT SUSPENSION SUPPORT LH DUST SEAL**29. INSTALL FRONT SUSPENSION SUPPORT SUB-ASSY LH****30. INSTALL FRONT SUPPORT TO FRONT SHOCK ABSORBER LH NUT**

- (a) Using the 2 nuts and a screwdriver or an equivalent to secure the front shock absorber, install a new center nut.

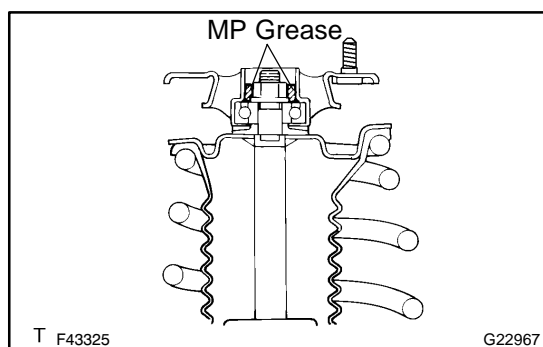
Torque: 33 N·m (340 kgf·cm, 25 ft·lbf)

NOTICE:

Be careful not to damage the suspension support stud bolts.

- (b) Remove the SST.

SST 09727-30021 (09727-00010, 09727-00021, 09727-00031)



(c) Apply MP grease to the suspension support.

31. INSTALL FRONT SUSPENSION SUPPORT DUST COVER LH

32. INSTALL FRONT SHOCK ABSORBER WITH COIL SPRING

- (a) Install suspension support No.2.
- (b) Install the shock absorber with coil spring with the 3 nuts.
Torque: 39 N·m (400 kgf·cm, 29 ft·lbf)
- (c) Connect the shock absorber to the steering knuckle.
- (d) Install the 2 bolts and the nut.

NOTICE:

When installing the bolt keep it from rotating and torque the nut.

Torque: 132 N·m (1,350 kgf·cm, 97 ft·lbf)

33. INSTALL FLEXIBLE HOSE

- (a) Install the flexible hose.
Torque: 29 N·m (300 kgf·cm, 22 ft·lbf)

34. INSTALL FRONT WHEEL

Torque: 103 N·m (1,050 kgf·cm, 76 ft·lbf)

35. INSTALL COWL TOP PANEL OUTER

- (a) Install the cowl top panel outer with the 8 bolts.
Torque: 5.0 N·m (51 kgf·cm, 44 in·lbf)

(b) Connect the hose and the wire harness (Wiper).

36. INSTALL WINDSHIELD WIPER LINK ASSY (See page 66-6)

37. INSTALL COWL TOP VENTILATOR LOUVER RH

38. INSTALL COWL TOP VENTILATOR LOUVER LH

39. INSTALL HOOD TO COWL TOP SEAL

40. INSTALL FR WIPER ARM LH (See page 66-6)

41. INSTALL FR WIPER ARM RH (See page 66-6)

42. INSPECT AND ADJUST FRONT WHEEL ALIGNMENT (See page 26-7)