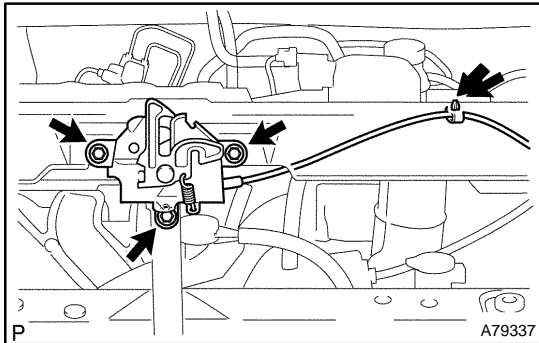


RADIATOR ASSY

1600L-01

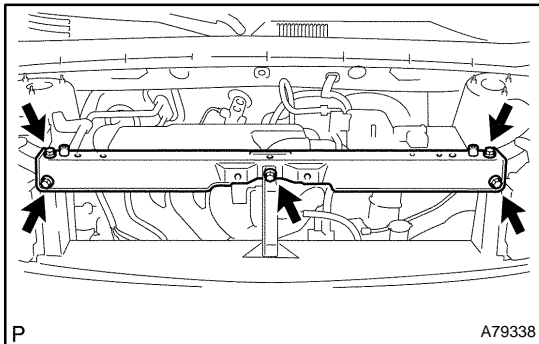
REPLACEMENT

1. DRAIN ENGINE COOLANT (See page 16-7)
2. DISCONNECT RADIATOR HOSE INLET
3. DISCONNECT RADIATOR HOSE OUTLET
4. DISCONNECT OIL COOLER INLET HOSE (A/T TRANSAXLE)
5. DISCONNECT OIL COOLER OUTLET HOSE (A/T TRANSAXLE)
6. REMOVE RADIATOR GRILLE (See page 76-2)
7. REMOVE FRONT BUMPER COVER (See page 76-2)



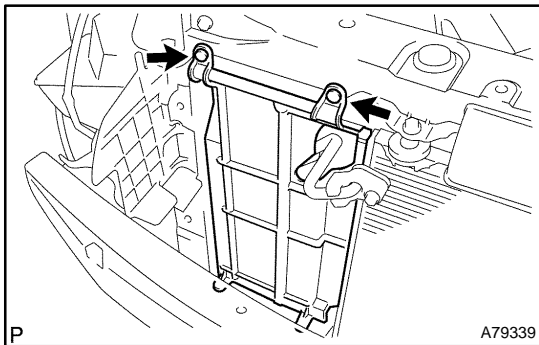
8. REMOVE HOOD LOCK ASSY

- (a) Remove the 3 bolts, clip and hood lock.



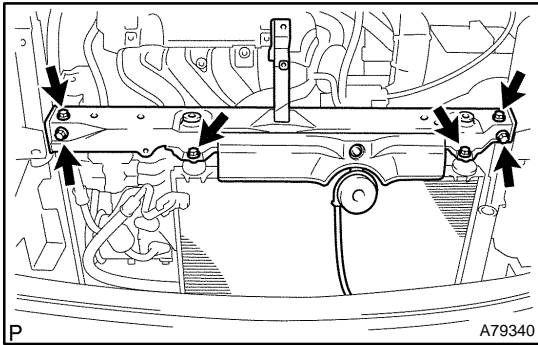
9. REMOVE HOOD LOCK SUPPORT BRACE

- (a) Remove the 5 bolts, and then remove the hood lock support brace.



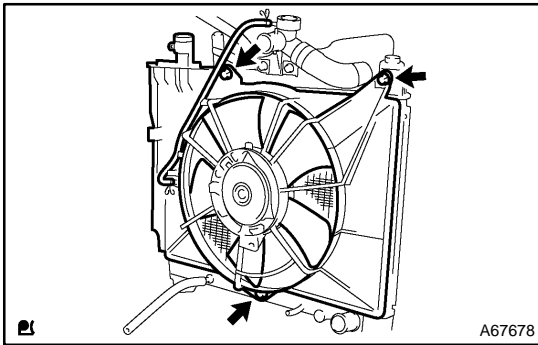
10. REMOVE RADIATOR SUPPORT OPENING COVER

- (a) Remove the 2 clips and radiator support opening cover.



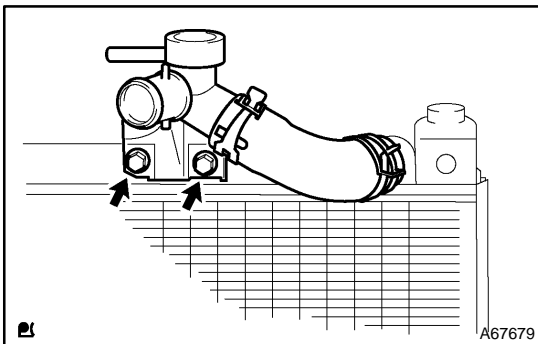
11. REMOVE RADIATOR SUPPORT UPPER

- (a) Disconnect the connector from the horn assy.
- (b) Remove the 2 bolts and separate the condenser from the radiator support upper.
- (c) Remove the 4 bolts and radiator support upper.

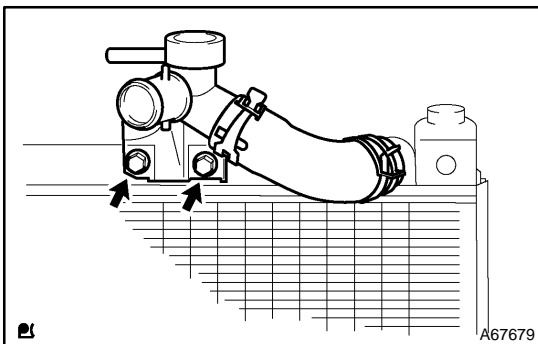


12. REMOVE RADIATOR ASSY

- (a) Disconnect the connector from the cooling fan motor, and then remove the radiator assy from the engine compartment.
- (b) Remove the 3 bolts and detach the fan shroud w/fan.



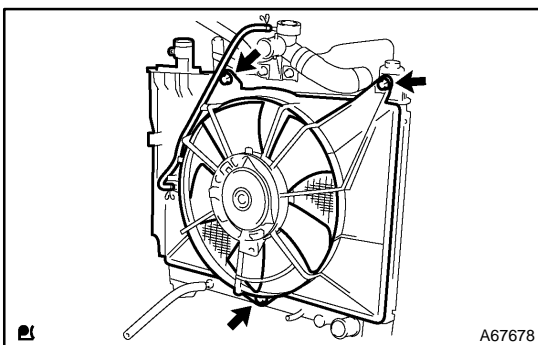
- (c) Remove the 2 bolts and water filler.
- (d) Remove the 2 radiator support cushions and radiator support lower.



13. INSTALL RADIATOR ASSY

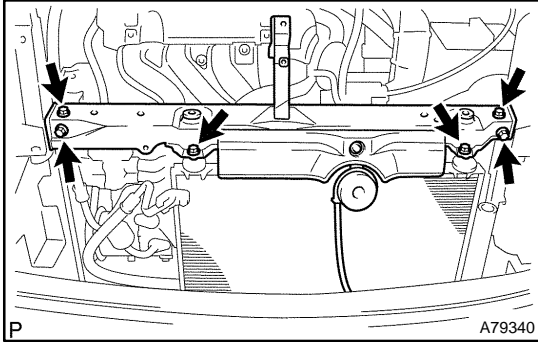
- (a) Install the 2 radiator support cushions and radiator support lower to the radiator.
- (b) Install the water filler with the 2 bolts.

Torque: 7.5 N·m (76 kgf·cm, 66 in·lbf)

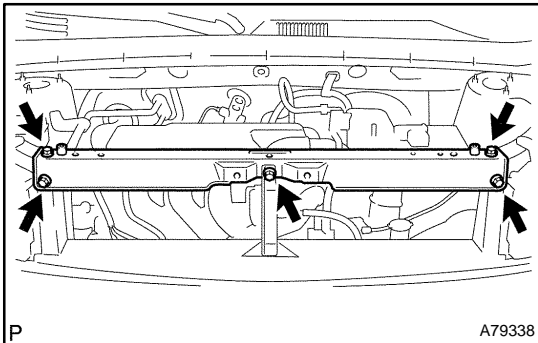


- (c) Install the fan shroud w/fan with the 3 bolts.
- (d) Install the radiator assy, and connect the connector to the cooling fan motor.

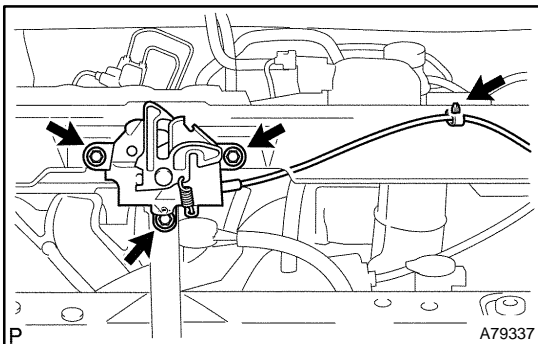
Torque: 7.5 N·m (76 kgf·cm, 66 in·lbf)

**14. INSTALL RADIATOR SUPPORT UPPER**

- (a) Install the radiator support upper with the 4 bolts.
Torque: 5.0 N·m (51 kgf·cm, 44 in·lbf)
- (b) Install the condenser to the radiator support upper with the 2 bolts.
Torque: 9.8 N·m (100 kgf·cm, 7.2 ft·lbf)
- (c) Connect the connector to the horn assy.

**15. INSTALL HOOD LOCK SUPPORT BRACE**

- (a) Install the hood lock support brace with the 5 bolts.
Torque: 5.0 N·m (51 kgf·cm, 44 in·lbf)

**16. INSTALL HOOD LOCK ASSY**

- (a) Temporarily install the hood lock assy with the 3 bolts.
Torque: 8.0 N·m (82 kgf·cm, 71 in·lbf)

- 17. ADJUST HOOD SUB-ASSY (See page 75-1)**
- 18. INSTALL FRONT BUMPER COVER (See page 76-2)**
- 19. ADD ENGINE COOLANT (See page 16-7)**
- 20. CHECK FOR ENGINE COOLANT LEAKS (See page 16-1)**