

ENGINE COOLANT REPLACEMENT

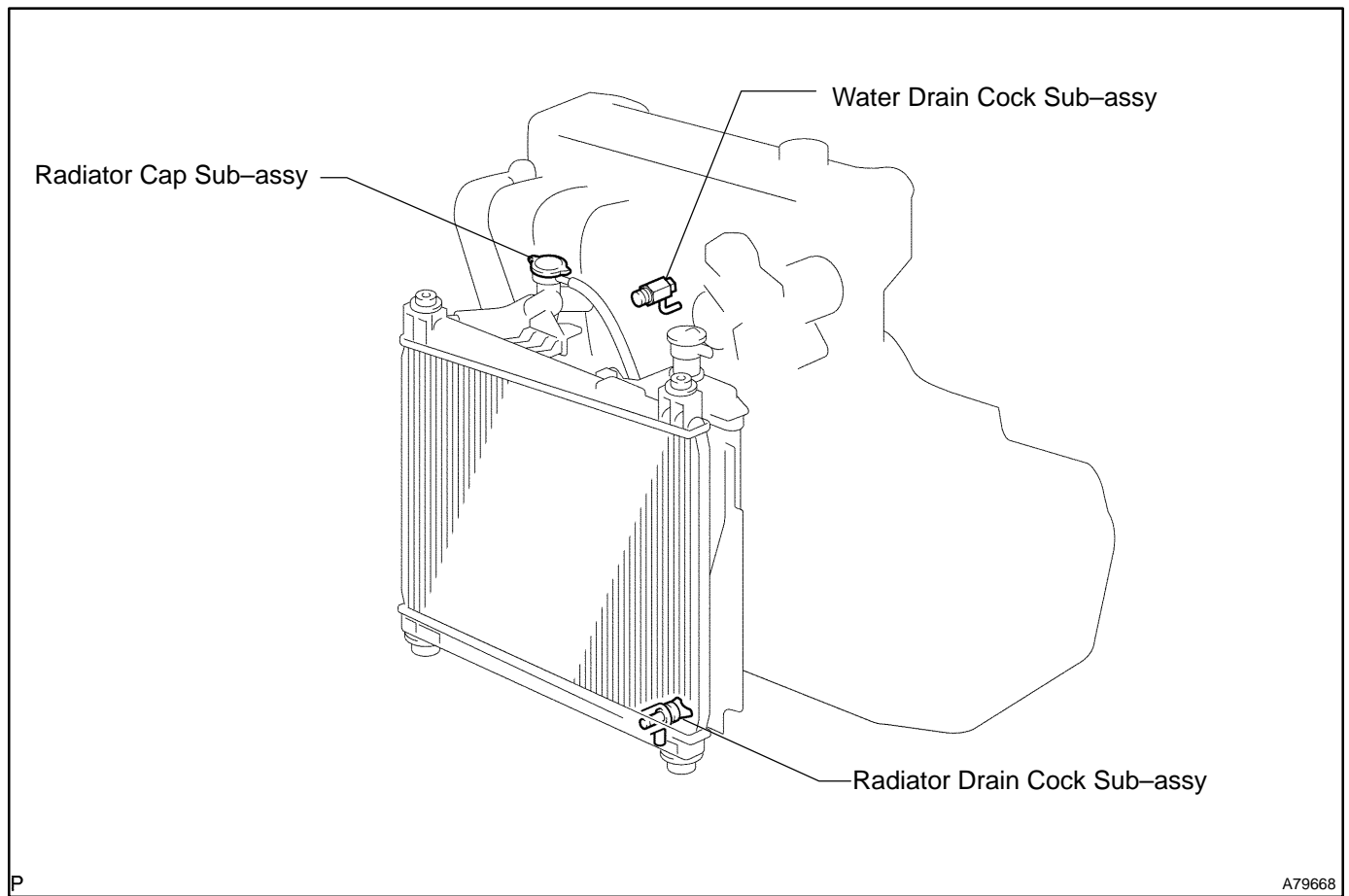
1600H-01

1. DRAIN ENGINE COOLANT

CAUTION:

To avoid the danger of being burned, do not remove the radiator cap while the engine and radiator are still hot. Thermal expansion will cause hot engine coolant and steam to blow out from the radiator.

- (a) Remove the radiator cap.
- (b) Loosen the radiator drain cock and drain engine coolant.



2. ADD ENGINE COOLANT

- (a) Tighten the radiator drain cock, and pour coolant into the radiator until it overflows.

Capacity:

M/T 4.4 liters (4.6 US qts, 3.9 Imp. qts)

A/T 4.3 liters (4.5 US qts, 3.8 Imp. qts)

HINT:

- Press the radiator inlet and outlet hose several time by hand.
 - If the coolant level gets lower, add coolant.
- (b) Tighten the radiator cap.
 - (c) Pour engine coolant into the reservoir tank until it reaches the full level line.

2004 SCION xB REPAIR MANUAL (RM1031U)

(d) Warm up the engine until the thermostat valve begins to open.

HINT:

Press the radiator inlet and outlet hose several times by hand during warming up.

(e) Stop the engine and wait until the coolant temperature gets cold.

(f) Then remove the radiator cap to check the coolant level.

(g) If the level gets lower, perform the procedures from (a) through (f) again.

(h) If the level does not get lower, add engine coolant to adjust the reservoir tank coolant level.

3. CHECK FOR ENGINE COOLANT LEAKS

(a) Fill the radiator with engine coolant and attach a radiator cap tester.

(b) Pump it to 137 kPa (1.4 kgf/cm², 1.99 psi) and check for leakage.