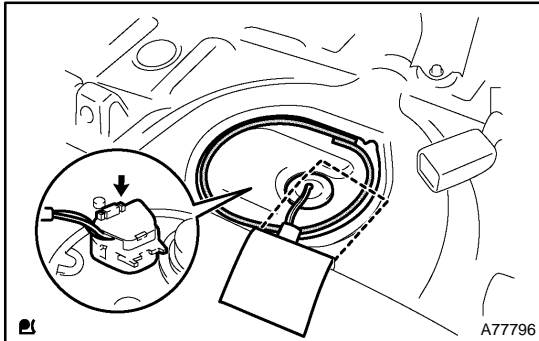


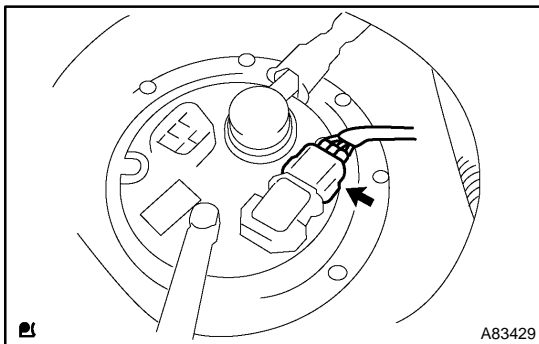
## Removal & Installation and Disassembly & Reassembly

1. DISCHARGE FUEL SYSTEM PRESSURE (See page 11-1)
2. REMOVE REAR SEAT CUSHION ASSEMBLY



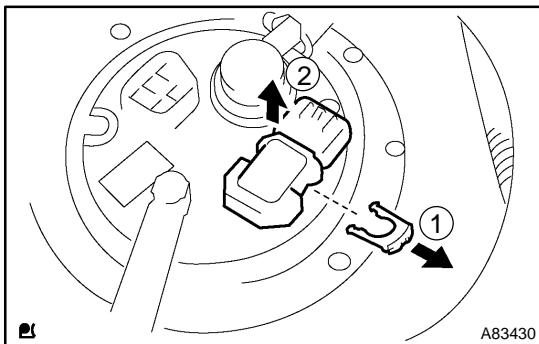
### 3. REMOVE REAR FLOOR SERVICE HOLE COVER

- (a) Remove the rear floor service hole cover.
- (b) Disconnect the fuel pump connector.

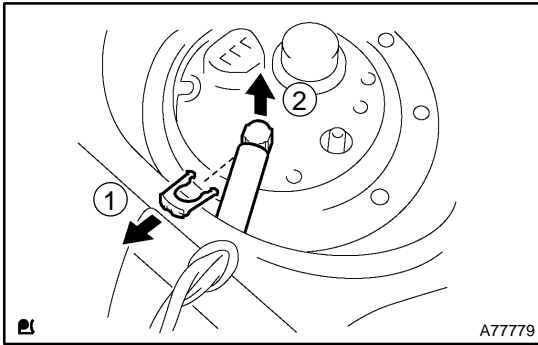


### 4. REMOVE VAPOR PRESSURE SENSOR ASSY

- (a) Disconnect the vapor pressure sensor connector.



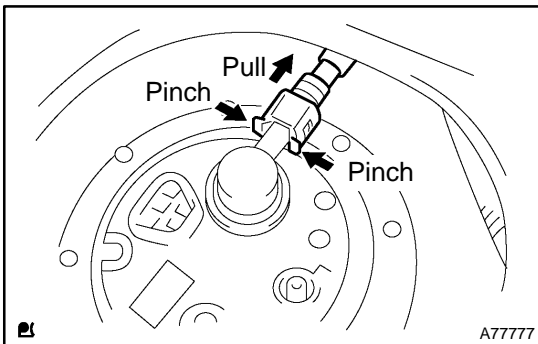
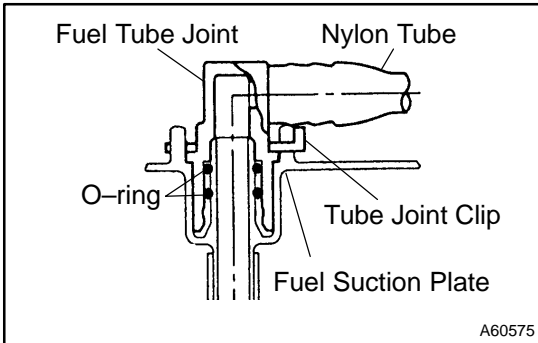
- (b) Remove the tube joint clip, and pull out the vapor pressure sensor.



- 5. DISCONNECT FUEL TANK MAIN TUBE SUB-ASSY**  
 (a) Remove the tube joint clip, and pull out the fuel pump tube.

**NOTICE:**

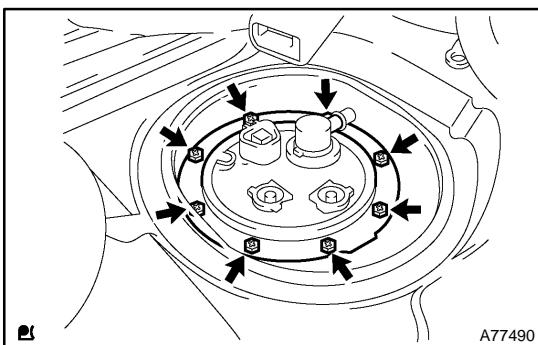
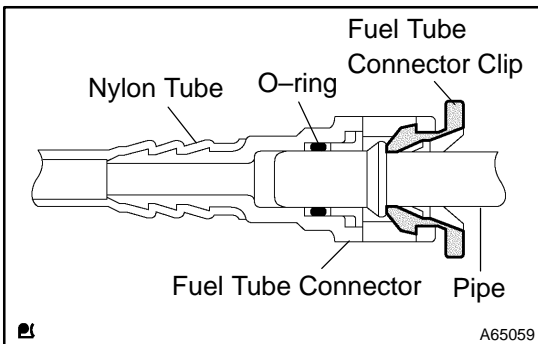
- Check around the connector for dirt or mud before this operation and remove the dirt if necessary.
- Be careful of mud because the quick connector has an O-ring which seals the pipe and connector that can be contaminated.
- Do not use any tool in this operation.
- Do not bend or twist the nylon tube. Protect the connector by covering it with a vinyl or plastic bag.
- When the pipe and connector are stuck, push and pull the connector to release and pull the connector out carefully.



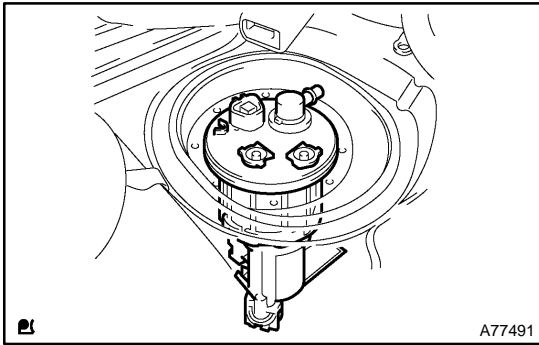
- 6. DISCONNECT FUEL EVAPORATION TUBE SUB-ASSY NO.2**  
 (a) Pinch the fuel tube connector clip and then pull out the fuel evaporation tube.

**NOTICE:**

- Check around the connector for dirt or mud before this operation and remove the dirt if necessary.
- Be careful of mud because the quick connector has an O-ring which seals the pipe and connector that can be contaminated.
- Do not use any tool in this operation.
- Do not bend or twist the nylon tube. Protect the connector by covering it with a vinyl or plastic bag.
- When the pipe and connector are stuck, push and pull the connector to release and pull the connector out carefully.



- 7. REMOVE FUEL TANK VENT TUBE SET PLATE**  
 (a) Remove the 8 bolts and fuel tank bent tube set plate.

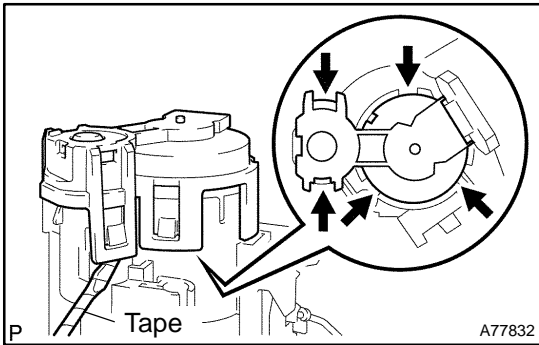


**8. REMOVE FUEL PUMP ASSY W/ FUEL SENDER GAGE ASSY**

- (a) Remove the fuel pump w/ fuel sender gage from the fuel tank.

**NOTICE:**

- Do not damage the fuel pump filter.
  - Do not bend the arm of the fuel sender gage.
- (b) Remove the gasket from the fuel pump w/ fuel sender gage.

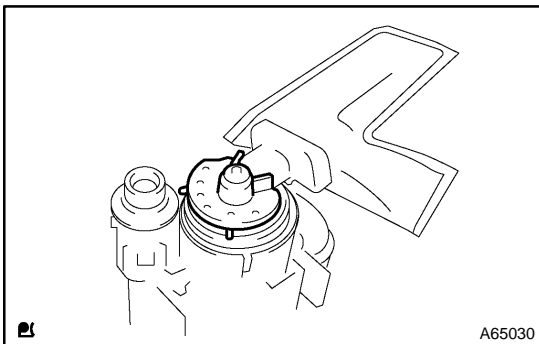


**9. REMOVE FUEL SUCTION SUPPORT NO.2**

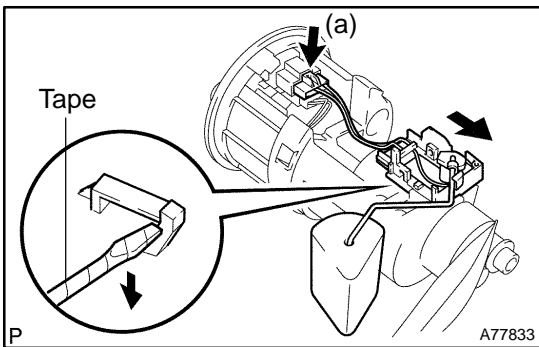
- (a) Using a screwdriver with the tip wrapped in tape, detach the 5 snap claws from the claw holes, and remove the fuel suction support.

**NOTICE:**

**Do not damage the fuel suction support.**

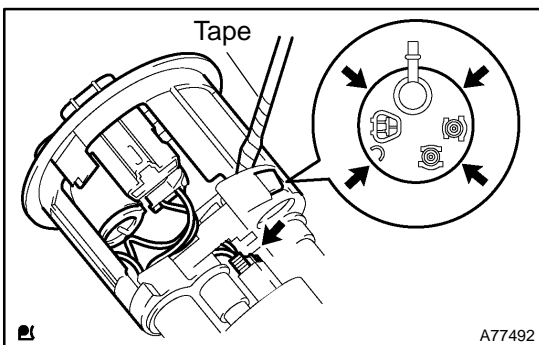


**10. REMOVE FUEL PUMP CUSHION RUBBER**



**11. REMOVE FUEL SENDER GAGE ASSY**

- (a) Disconnect the fuel sender gage connector.
- (b) Using a screwdriver with the tip wrapped in tape, unfasten the clamp to release the fuel sender gage. Slide the fuel sender gage to remove it from the fuel pump.

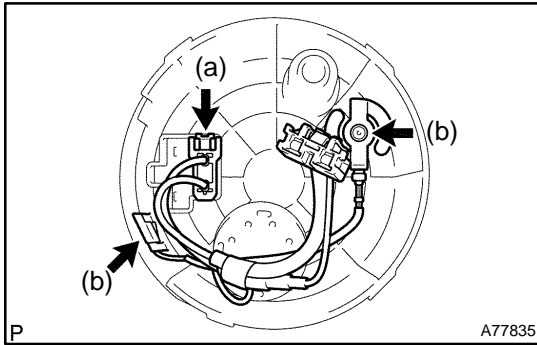


**12. REMOVE FUEL SUCTION PLATE SUB-ASSY**

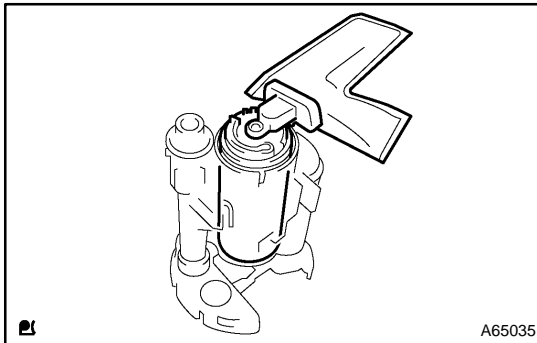
- (a) Disconnect the fuel pump connector.
- (b) Using a screwdriver with the tip wrapped in tape, detach the 4 snap claws from the claw holes, and pull out the fuel suction plate.

**NOTICE:**

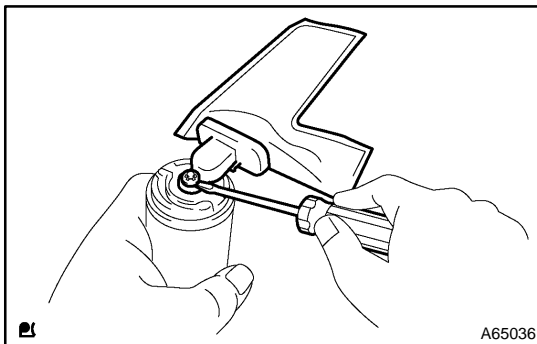
**Do not damage the fuel suction support.**

**13. REMOVE FUEL PUMP HARNESS**

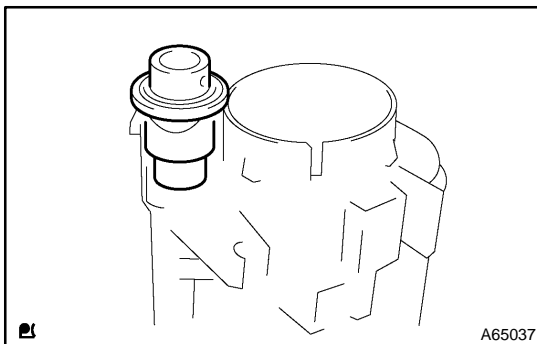
- (a) Disconnect the connector.
- (b) Using a small screwdriver, pry out the fuel pump harness.

**14. REMOVE FUEL PUMP ASSY**

- (a) Pull out the fuel pump from the fuel tank fuel filter.

**15. REMOVE FUEL PUMP FILTER**

- (a) Using a small screwdriver, pry out the clip.
- (b) Pull out the fuel pump filter from the fuel pump.

**16. REMOVE FUEL PRESSURE REGULATOR ASSY**

- (a) Pull out the fuel pressure regulator from the fuel tank fuel filter.
- (b) Remove the O-ring from the fuel pressure regulator.

**17. INSTALL FUEL PRESSURE REGULATOR ASSY**

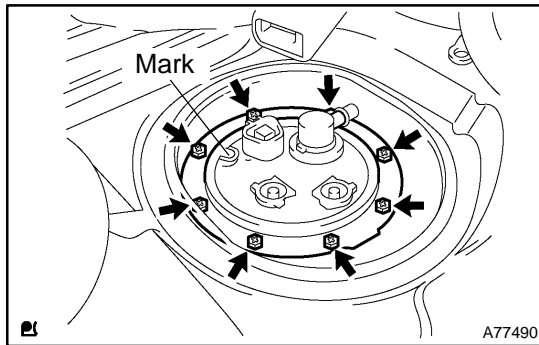
- (a) Apply a light coat of gasoline or grease to a new O-ring, and install it to the fuel pressure regulator.
- (b) Push in the fuel pressure regulator to the fuel tank fuel filter.

**18. INSTALL FUEL PUMP FILTER**

- (a) Install the fuel pump filter with a new clip.

**19. INSTALL FUEL PUMP ASSY W/ FUEL SENDER GAGE ASSY**

- (a) Install a new gasket to the fuel pump w/ fuel sender gage.
- (b) Install the fuel pump w/ fuel sender gage to the fuel tank.



## 20. INSTALL FUEL TANK VENT TUBE SET PLATE

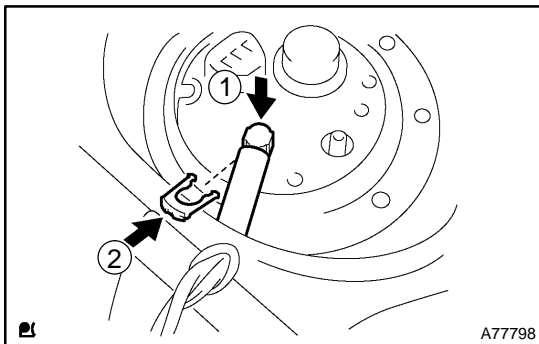
- (a) Align the mark of the fuel tank vent tube set plate with fuel pump w/ fuel sender gage.
- (b) Install the fuel tank vent tube set plate with the 8 bolts.  
**Torque: 6.0 N·m (61 kgf·cm, 53 in·lbf)**

## 21. CONNECT FUEL EVAPORATION TUBE SUB-ASSY NO.2

- (a) Push in the fuel tube connector to the pipe until the fuel tube connector makes a "click" sound.

### NOTICE:

- Check the connected part for damage or foreign objects on the connecting part.
- After connecting, check if the fuel tube connector and pipe are securely connected by pulling on them.

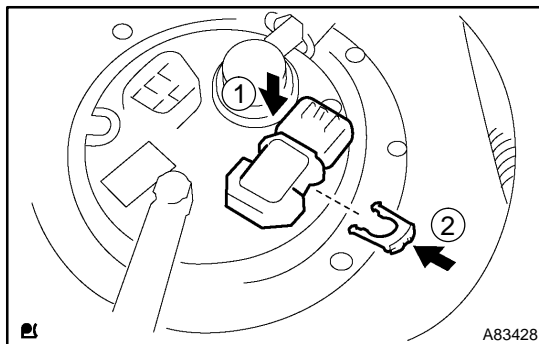


## 22. CONNECT FUEL TANK MAIN TUBE SUB-ASSY

- (a) Install the fuel pump tube with the tube joint clip.

### NOTICE:

- Check that there is no scratch or foreign objects on the connected part.
- Check that the fuel tube joint is inserted securely.
- Check that the tube joint clip is on the collar of the fuel tube joint.
- After installing the tube joint clip, check that the fuel tube joint is not pulled off.



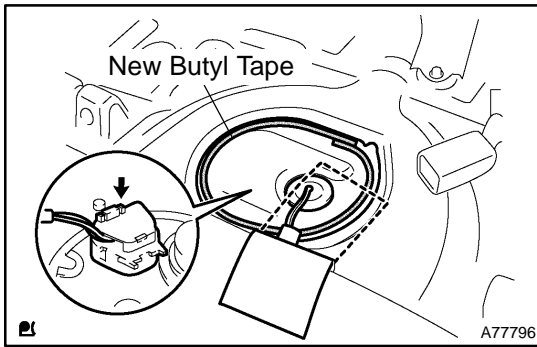
## 23. INSTALL VAPOR PRESSURE SENSOR ASSY

- (a) Install the vapor pressure sensor with the tube joint clip.

### NOTICE:

- Check that there is no scratch or foreign objects on the connected part.
- Check that the vapor pressure sensor joint is inserted securely.
- Check that the tube joint clip is on the collar of the vapor pressure sensor joint.
- After installing the tube joint clip, check that the vapor pressure sensor joint is not been pulled out.

- (b) Connect the vapor pressure sensor connector.



- 24. INSTALL REAR FLOOR SERVICE HOLE COVER**
- (a) Using a new butyl tape, install the rear floor service hole cover.

- 25. CHECK FOR FUEL LEAKS (See page 11-4)**