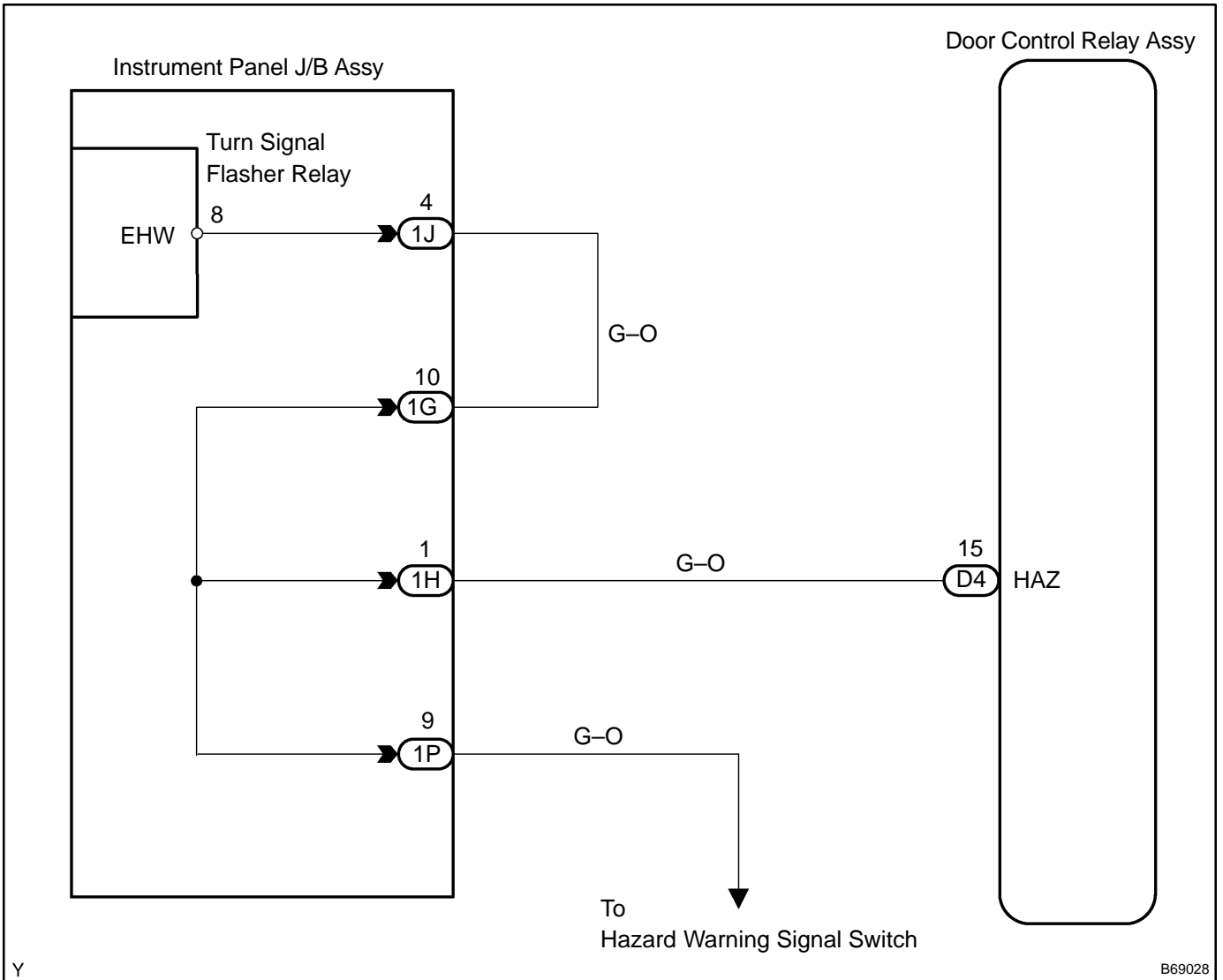


# NO ANSWER-BACK (HAZARD WARNING LAMP)

## CIRCUIT DESCRIPTION

If there is no answer-back of the hazard warning lamp although the wireless door lock/unlock function is operating normally, there might be a malfunction in the hazard warning lamp signal that is output from the door control relay.

## WIRING DIAGRAM



Y

B69028

## INSPECTION PROCEDURE

### 1 CHECK WIRELESS DOOR LOCK FUNCTIONS

(a) Check whether the wireless door lock functions by operating the transmitter switch.

HINT:

When the wireless door LOCK/UNLOCK operation can be performed, it means that the wireless signal from the transmitter is properly input to the door control relay.

**NG** Go to FLOW CHART (See page 05-679)

**OK**

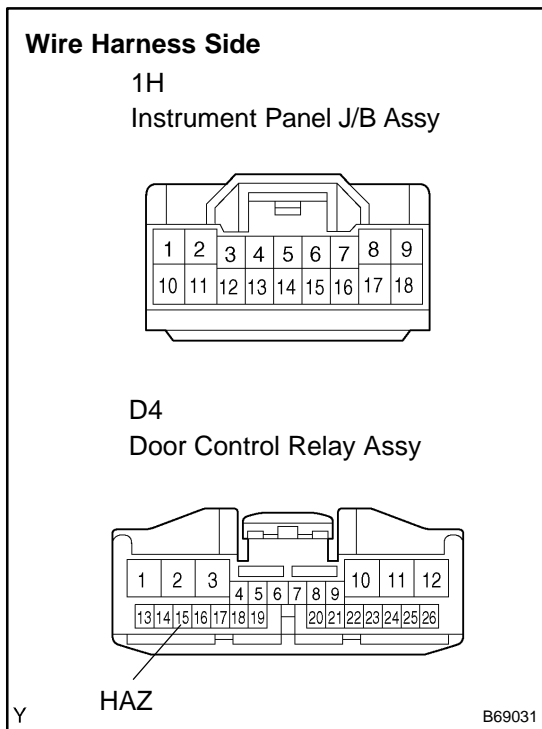
### 2 CHECK HAZARD WARNING LAMPS

(a) Check that the hazard warning lamps blink when the hazard warning signal switch is pressed.

**NG** Go to LIGHTING SYSTEM (See page 65-2)

**OK**

### 3 CHECK WIRE HARNESS (INSTRUMENT PANEL J/B ASSY - DOOR CONTROL RELAY ASSY)



- (a) Disconnect the 1H J/B connector.
- (b) Disconnect the D4 relay connector.
- (c) Check the resistance between the wire harness side connectors.

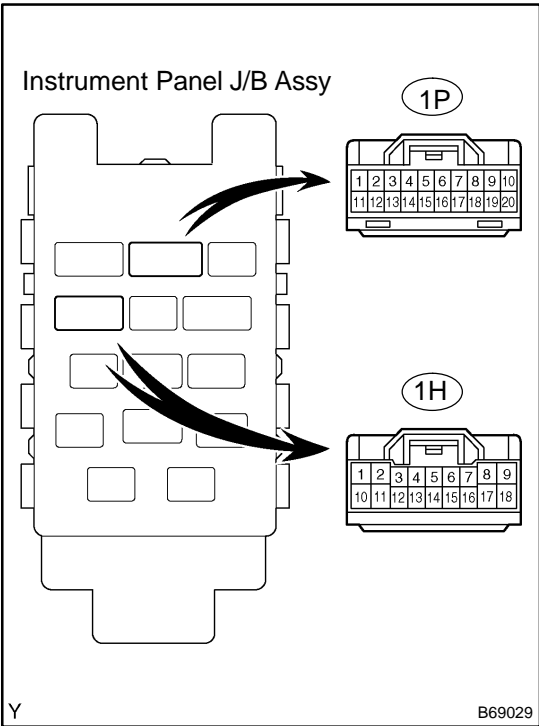
**Standard:**

Tester Connection	Specified Condition
1H-1 -D4-15 (HAZ)	Below 1 Ω

**NG** REPAIR OR REPLACE HARNESS AND CONNECTOR

**OK**

**4 INSPECT INSTRUMENT PANEL JUNCTION BLOCK ASSY**



- (a) Disconnect the 1H and 1P J/B connectors.
- (b) Check the resistance between the J/B terminals.

**Standard:**

Tester Connection	Specified Condition
1H-1 - 1P-9	Below 1 Ω

**NG** → **REPLACE INSTRUMENT PANEL JUNCTION BLOCK ASSY**

**OK**

**REPLACE DOOR CONTROL RELAY ASSY**