

DTC	B0138/72	SHORT IN P/T SQUIB (LH) CIRCUIT (TO B+)
------------	-----------------	--

CIRCUIT DESCRIPTION

The P/T squib LH circuit consists of the airbag sensor assy center and the front seat outer belt assy LH (seat belt pretensioner LH).

This circuit instructs the SRS to deploy when deployment conditions are met.

DTC B0138/72 is recorded when a short to B+ is detected in the P/T squib LH circuit.

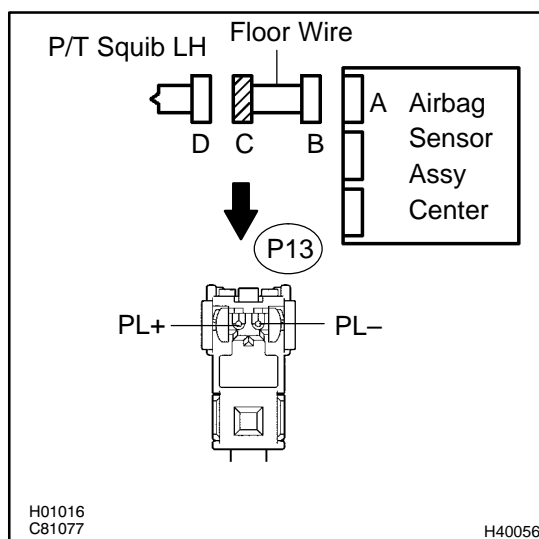
DTC No.	DTC Detecting Condition	Trouble Area
B0138/72	<ul style="list-style-type: none"> • Short circuit in P/T squib LH wire harness (to B+) • P/T squib LH malfunction • Airbag sensor assy center malfunction 	<ul style="list-style-type: none"> • Front seat outer belt assy LH (P/T squib LH) • Airbag sensor assy center • Floor wire

WIRING DIAGRAM

See page 05-513.

INSPECTION PROCEDURE

1	CHECK FLOOR WIRE(P/T SQUIB LH CIRCUIT)
----------	---



- Turn the ignition switch to the LOCK position.
- Disconnect the negative (-) terminal cable from the battery, and wait for at least 90 seconds.
- Disconnect the connectors from the airbag sensor assy center and the front seat outer belt assy LH.
- Connect the negative (-) terminal cable to the battery, and wait for at least 2 seconds.
- Measure the voltage according to the value(s) in the table below.

Standard:

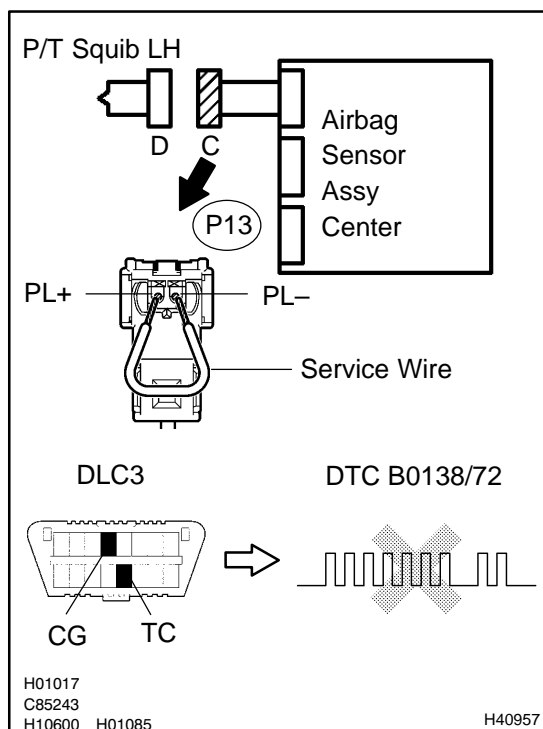
Tester connection (Connector "C")	Condition	Specified condition
P13-1 (PL+) - Body ground	Ignition switch ON	Below 1 V
P13-2 (PL-) - Body ground	Ignition switch ON	Below 1 V

NG

REPAIR OR REPLACE FLOOR WIRE

OK

2 CHECK AIR BAG SENSOR ASSY CENTER



- Turn the ignition switch to the LOCK position.
- Disconnect the negative (-) terminal cable from the battery, and wait for at least 90seconds.
- Connect the connector to the airbag sensor assy center.
- Using a service wire, connect terminals PL+ and PL- of connector "C".

NOTICE:

- Twist the end of the service wire in order to insert to the connector.
 - Do not forcibly insert the twisted service wire into the terminals of the connector when connecting.
- Connect the negative (-) terminal cable to the battery, and wait for at least 2 seconds.
 - Turn the ignition switch to the ON position, and wait for at least 60 seconds.
 - Clear the stored DTCs in the memory (See page [05-453](#)).
 - Turn the ignition switch to the LOCK position.
 - Turn the ignition switch to the ON position, and wait for at least 60 seconds.
 - Check the DTCs (See page [05-453](#)).

OK:

DTC B0138/72 is not output.

HINT:

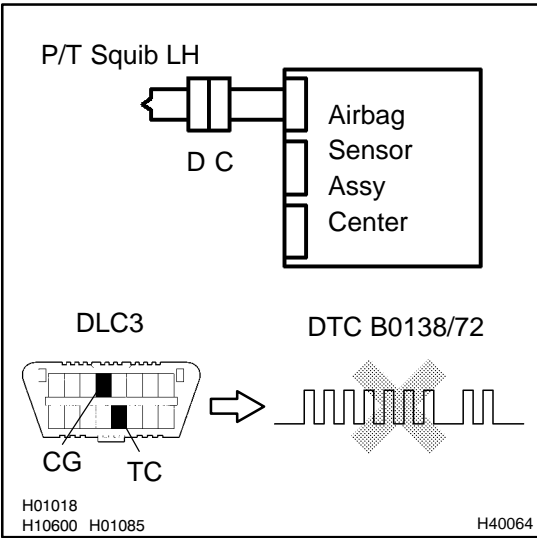
Codes other than code B0138/72 may be output at this time, but they are not related to this check.

NG

REPLACE AIR BAG SENSOR ASSY CENTER

OK

3 CHECK FRONT SEAT OUTER BELT ASSY LH(P/T SQUIB LH)



- (a) Turn the ignition switch to the LOCK position.
- (b) Disconnect the negative (-) terminal cable from the battery, and wait for at least 90 seconds.
- (c) Disconnect the service wire from the connector "C".
- (d) Connect the connector to the front seat outer belt assy LH.
- (e) Connect the negative (-) terminal cable to the battery, and wait for at least 2 seconds.
- (f) Turn the ignition switch to the ON position, and wait for at least 60 seconds.
- (g) Clear the stored DTCs in the memory (See page 05-453).
- (h) Turn the ignition switch to the LOCK position.
- (i) Turn the ignition switch to the ON position, and wait for at least 60 seconds.
- (j) Check the DTCs (See page 05-453).

OK:

DTC B0138/72 is not output.

HINT:

Codes other than code B0138/72 may be output at this time, but they are not related to this check.

NG → **REPLACE FRONT SEAT OUTER BELT ASSY LH**

OK

4 USE SIMULATION METHOD TO CHECK

NG → **Go to step 1**

OK

REPLACE ALL SRS COMPONENTS INCLUDING WIRE HARNESS