

DTC	B0106/54	OPEN IN P SQUIB CIRCUIT
------------	-----------------	--------------------------------

CIRCUIT DESCRIPTION

The P squib circuit consists of the airbag sensor assy center and the instrument panel passenger airbag assy.

This circuit instructs the SRS to deploy when deployment conditions are met.

DTC B0106/54 is recorded when an open circuit is detected in the P squib circuit.

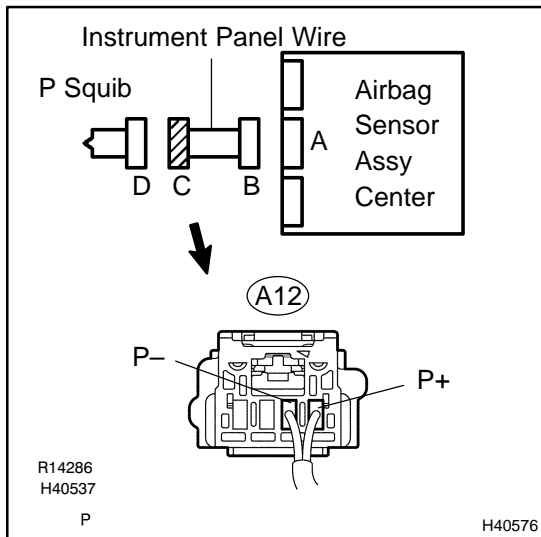
DTC No.	DTC Detecting Condition	Trouble Area
B0106/54	<ul style="list-style-type: none"> • Open circuit in P+ wire harness or P- wire harness of P squib • P squib malfunction • Airbag sensor assy center malfunction 	<ul style="list-style-type: none"> • Instrument panel passenger airbag assy (P squib) • Airbag sensor assy center • Instrument panel wire

WIRING DIAGRAM

See page 05-481.

INSPECTION PROCEDURE

1	CHECK INSTRUMENT PANEL WIRE(P SQUIB CIRCUIT)
----------	---



- (a) Turn the ignition switch to the LOCK position.
- (b) Disconnect the negative (-) terminal cable from the battery, and wait for at least 90 seconds.
- (c) Disconnect the connectors from the airbag sensor assy center and the instrument panel passenger airbag assy.
- (d) Measure the resistance according to the value(s) in the table below.

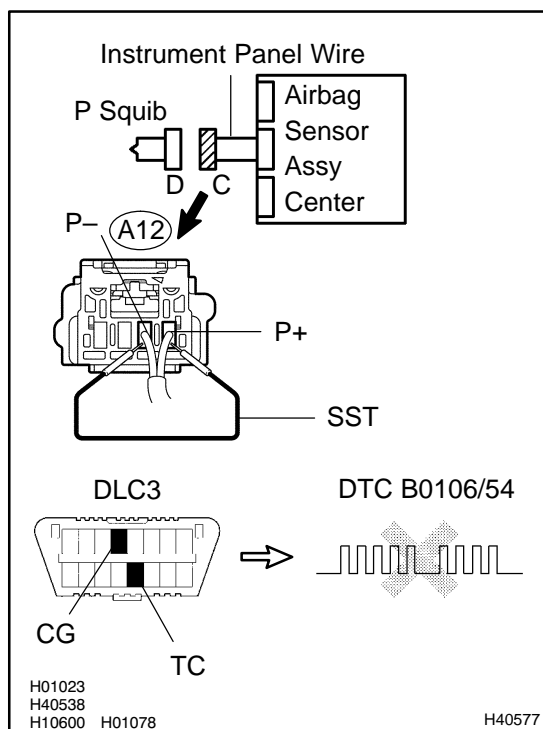
Standard:

Tester connection (Connector "C")	Condition	Specified condition
A12-1 (P+) - A12-2 (P-)	Always	Below 1 Ω

NG	REPAIR OR REPLACE INSTRUMENT PANEL WIRE
-----------	--

OK

2 CHECK AIR BAG SENSOR ASSY CENTER



- Connect the connector to the airbag sensor assy center.
- Using SST, connect terminals P+ and P- of connector "C".

SST 09843-18040

NOTICE:

Do not forcibly insert SST into the terminals of the connector when connecting.

- Connect the negative (-) terminal cable to the battery, and wait for at least 2 seconds.
- Turn the ignition switch to the ON position, and wait for at least 60 seconds.
- Clear the stored DTCs in the memory (See page 05-453).
- Turn the ignition switch to the LOCK position.
- Turn the ignition switch to the ON position, and wait for at least 60 seconds.
- Check the DTCs (See page 05-453).

OK:

DTC B0106/54 is not output.

HINT:

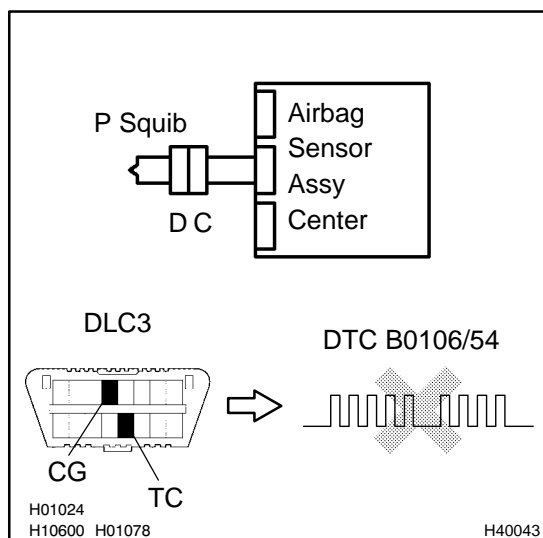
Codes other than code B0106/54 may be output at this time, but they are not related to this check.

NG

REPLACE AIR BAG SENSOR ASSY CENTER

OK

3 CHECK INSTRUMENT PANEL PASSENGER AIR BAG ASSY(P SQUIB)



- Turn the ignition switch to the LOCK position.
- Disconnect the negative (-) terminal cable from the battery, and wait for at least 90 seconds.
- Disconnect the SST from the connector "C".
- Connect the connector to the instrument panel passenger airbag assy.
- Connect the negative (-) terminal cable to the battery, and wait for at least 2 seconds.
- Turn the ignition switch to the ON position, and wait for at least 60 seconds.
- Clear the stored DTCs in the memory (See page [05-453](#)).
- Turn the ignition switch to the LOCK position.
- Turn the ignition switch to the ON position, and wait for at least 60 seconds.
- Check the DTCs (See page [05-453](#)).

OK:

DTC B0106/54 is not output.

HINT:

Codes other than code B0106/54 may be output at this time, but they are not related to this check.

NG

REPLACE INSTRUMENT PANEL PASSENGER AIR BAG ASSY

OK

USE SIMULATION METHOD TO CHECK