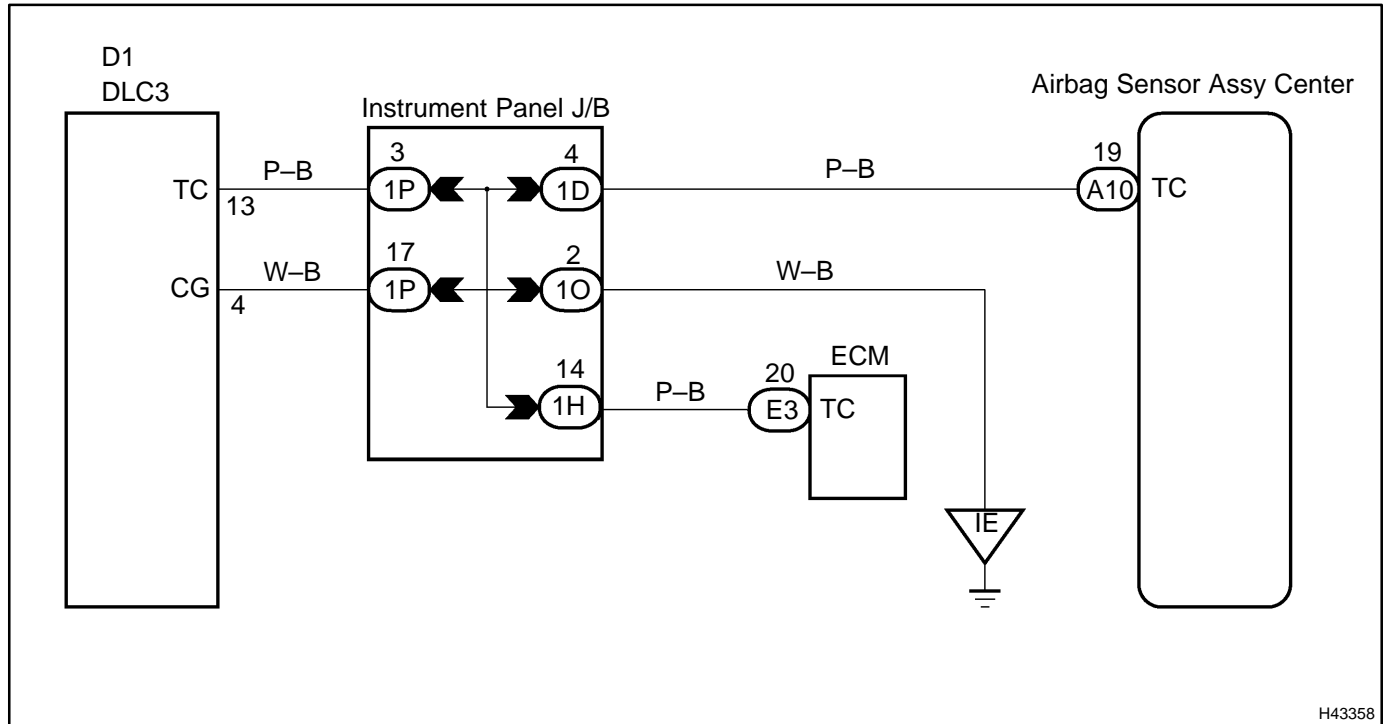


TC TERMINAL CIRCUIT

CIRCUIT DESCRIPTION

DTC output mode is set by connecting terminals TC and CG of the DLC3.
The DTCs are displayed by blinking the SRS warning light.

WIRING DIAGRAM

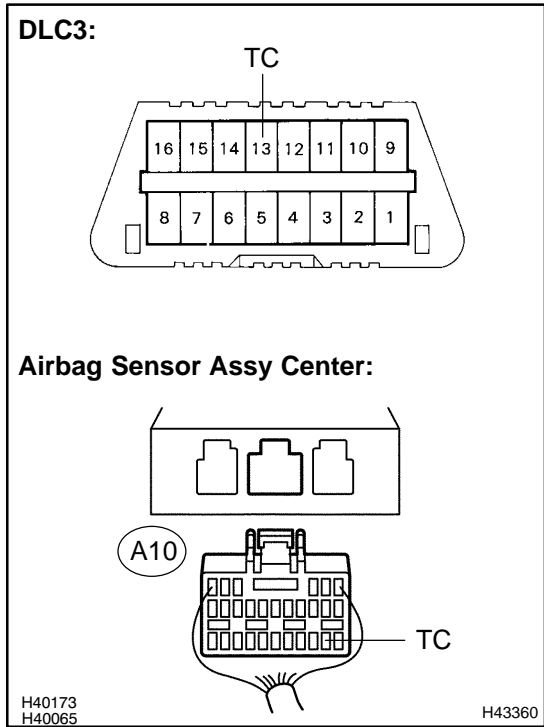


HINT:

When each warning light stays blinking, a ground short in the wiring of terminal TC of the DLC3 or an internal ground short in each ECU is suspected.

INSPECTION PROCEDURE

1 CHECK WIRE HARNESS(DLC3 - AIRBAG SENSOR ASSY CENTER)



- (a) Turn the ignition switch to the LOCK position.
- (b) Disconnect the airbag sensor assy center connector.
- (c) Measure the resistance according to the value(s) in the table below.

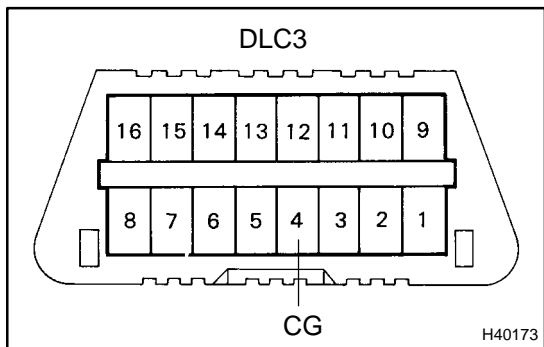
Standard:

Tester connection	Condition	Specified condition
DLC3 (TC) - A10-19 (TC)	Always	Below 1 Ω

NG REPAIR OR REPLACE WIRE HARNESS(TC of DLC3 - TC of AIRBAG SENSOR ASSY CENTER)

OK

2 CHECK WIRE HARNESS(CG of DLC3 - BODY GROUND)



- (a) Measure the resistance according to the value(s) in the table below.

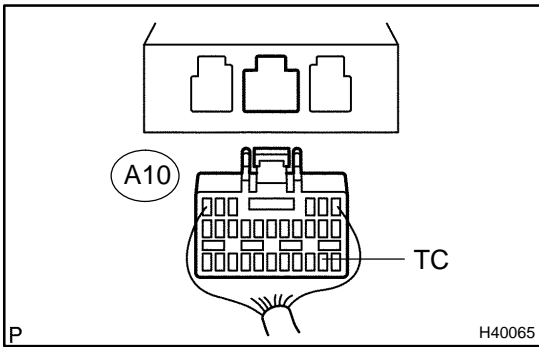
Standard:

Tester connection	Condition	Specified condition
DLC3 (CG) - Body ground	Always	Below 1 Ω

NG REPAIR OR REPLACE WIRE HARNESS(CG of DLC3 - BODY GROUND)

OK

3 CHECK WIRE HARNESS(TC of AIRBAG SENSOR ASSY CENTER – BODY GROUND)



(a) Measure the resistance according to the value(s) in the table below.

Standard:

Tester connection	Condition	Specified condition
A10-19 (TC) – Body ground	Always	1 MΩ or Higher

NG REPAIR OR REPLACE WIRE HARNESS AND EACH ECU

OK

REPLACE AIR BAG SENSOR ASSY CENTER