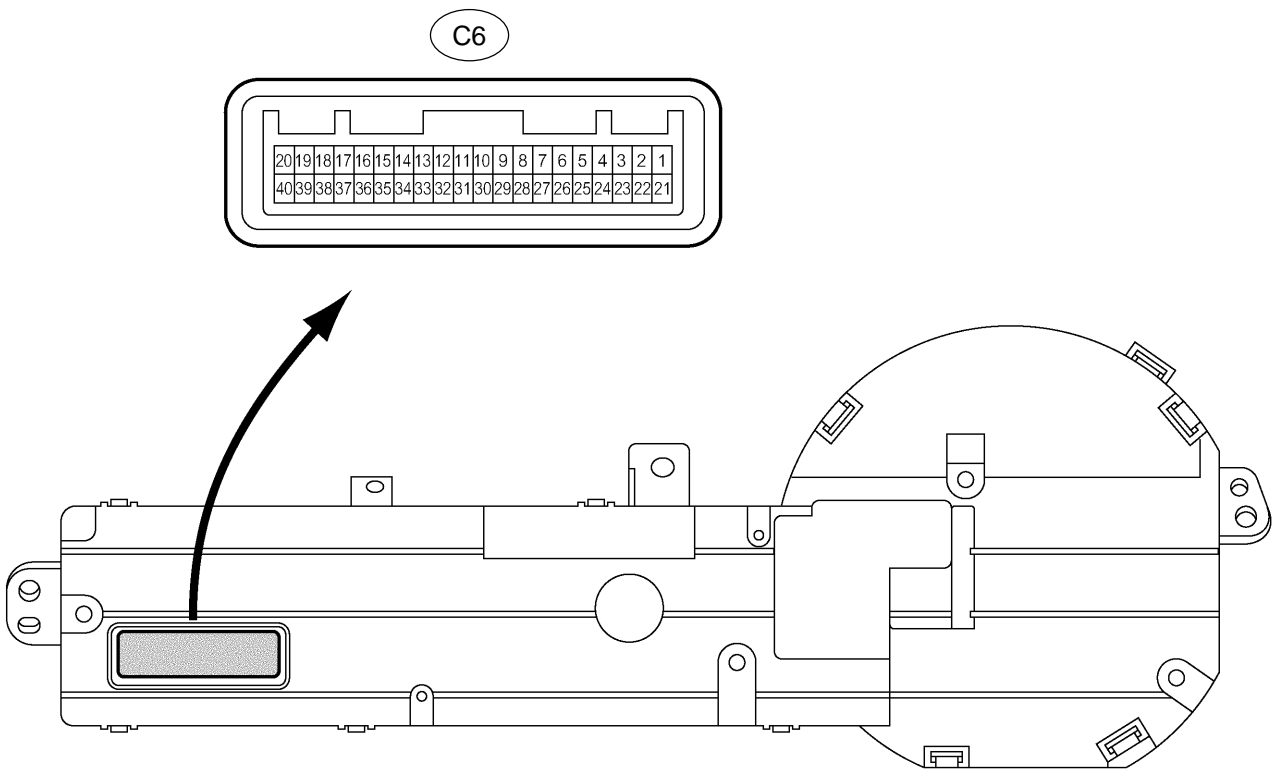
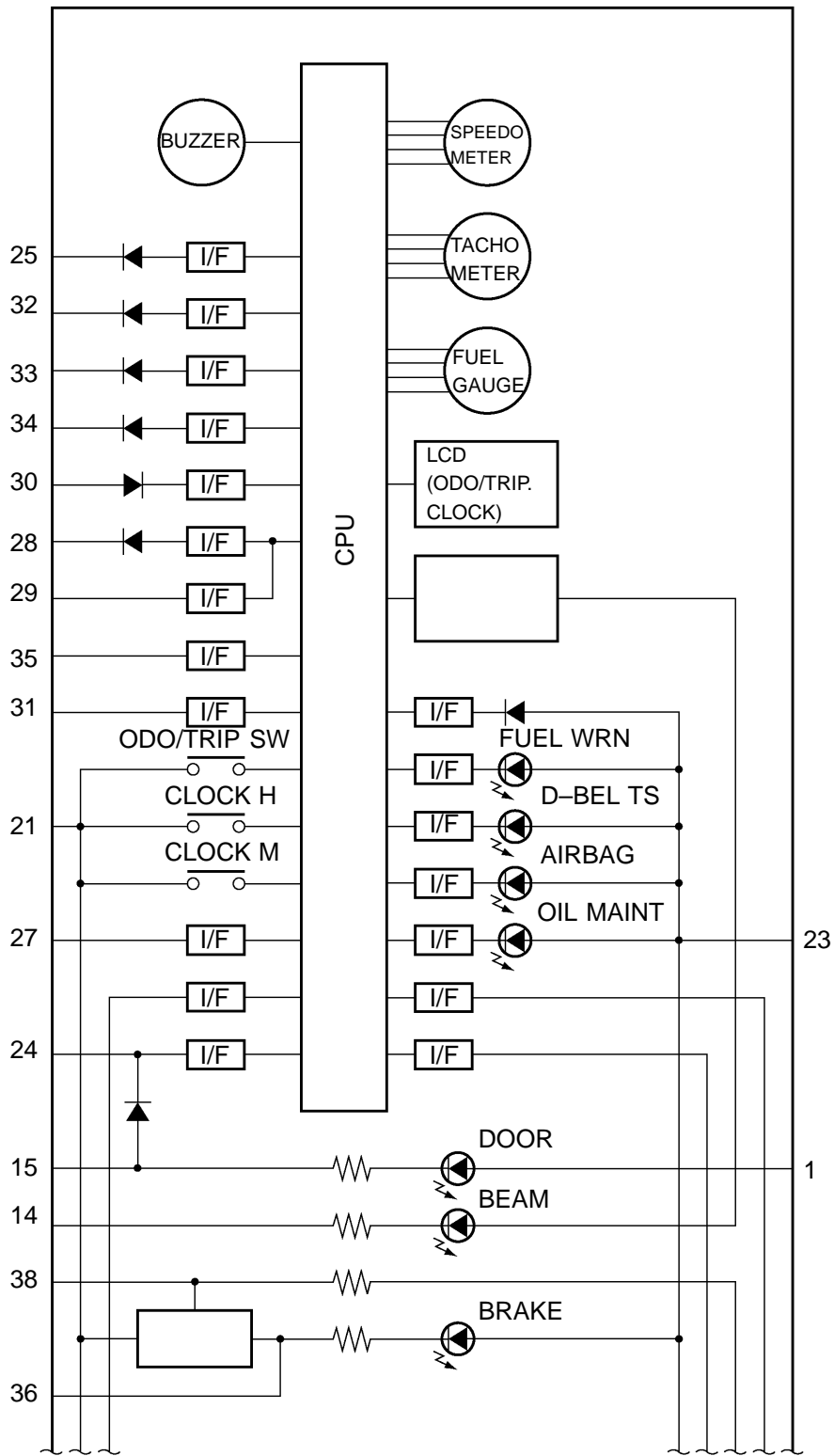


SYSTEM DIAGRAM

Combination Meter Assy
Back Side:

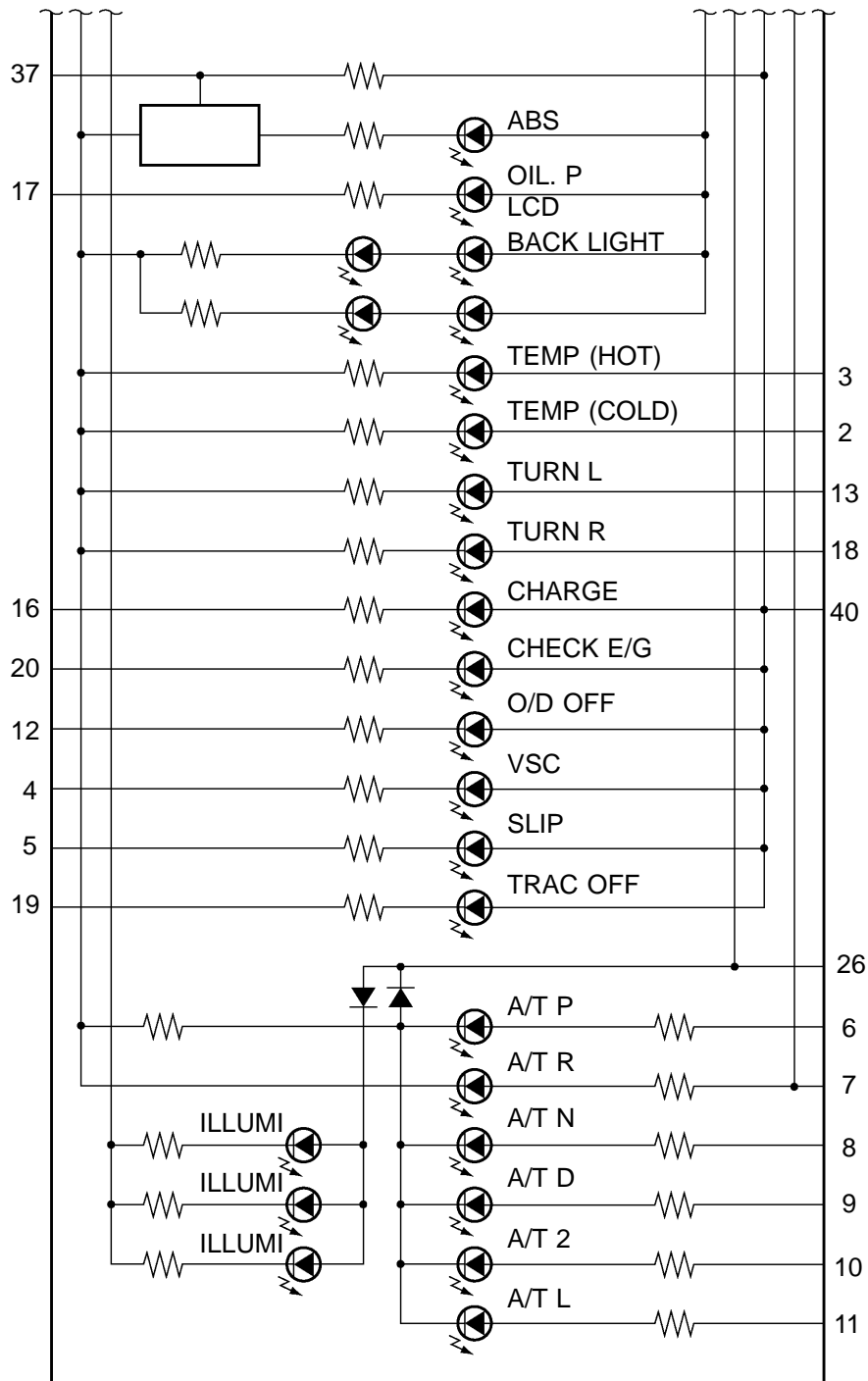


H



H

E69002



H

E69003

Terminal No.	Wire harness side	
C6	1	DOME Fuse
	2	Engine Control Module (TEMP (COOL) Indicator)
	3	Engine Control Module (TEMP (HOT) Indicator)
	4	Skid Control ECU with Actuator (VSC Indicator)
	5	Skid Control ECU with Actuator (Slip Indicator)
	6	Park/Neutral Position Switch (P Indicator)
	7	Park/Neutral Position Switch (R Indicator)
	8	Park/Neutral Position Switch (N Indicator)
	9	Park/Neutral Position Switch (D Indicator)
	10	Park/Neutral Position Switch (2 Indicator)
	11	Park/Neutral Position Switch (L Indicator)
	12	Engine Control Module (O/D OFF Indicator)
	13	Turn Signal Flasher Relay (Turn LH Indicator)
	14	Head Lamp Dimmer Switch (Beam Indicator)
	15	Door Courtesy Switch (Except Front LH Door) (Door Indicator)
	16	Generator (CHARGE Indicator)
	17	Oil Pressure Switch (Oil Pressure Indicator)
	18	Turn Signal Flasher Relay (Turn RH Indicator)
	19	Skid Control ECU with Actuator (TRAC OFF Indicator)
	20	Engine Control Module (CHECK ENGINE Indicator)
	21	Body Ground
	22	-
	23	GAUGE Fuse
	24	Door Courtesy Switch (Front LH Door)
	25	Unlock Warning Switch
	26	Light Control Switch (TAIL or HEAD signal)
	27	Light Control Rheostat (ILL Signal)
	28	Skid Control ECU with Actuator (Speed Signal Input)
	29	Engine Control Module, Door Lock Control Relay (Speed Signal Output)
	30	Engine Control Module (TACH Input)
	31	Fuel Sender Gauge
	32	Buckle Switch LH
	33	Buckle Switch RH, Occupant Detection Sensor
	34	Center Airbag Sensor Assembly
	35	Integration Control and Panel (Front Passenger Seat Belt Warning Light)
	36	Brake Fluid Level Warning Switch
	37	Skid Control ECU with Actuator (ABS Indicator)
	38	Skid Control ECU with Actuator (BRAKE Indicator)
	39	-
	40	Ignition Switch