

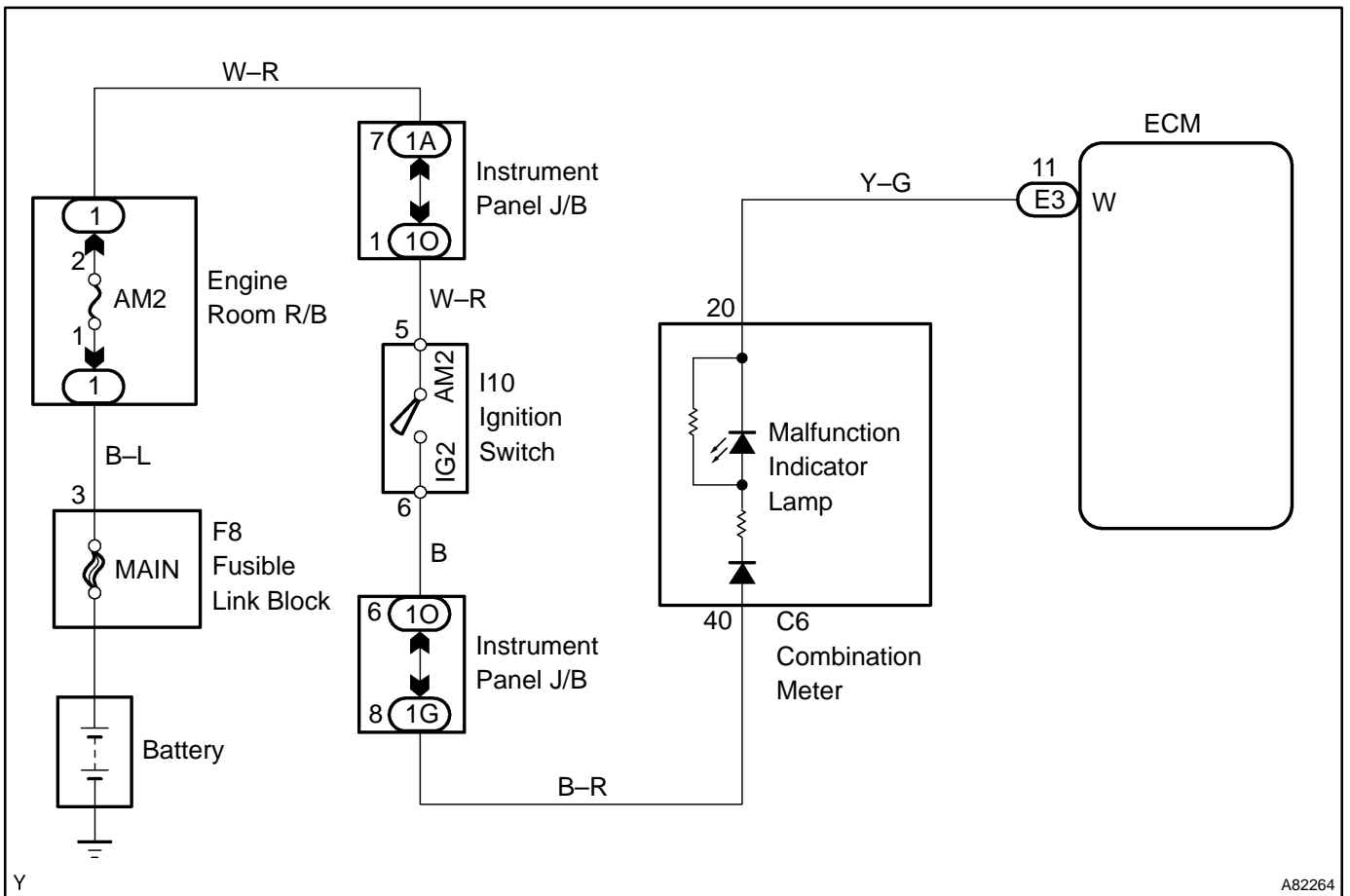
MIL CIRCUIT

CIRCUIT DESCRIPTION

The ignition switch provides circuit power and the ECM provides the circuit ground that illuminates the MIL. MIL operation is checked visually:

It should be illuminated when the ignition is first turned on. If the MIL is off all of the time or on all of the time, use the procedure below to troubleshoot it. The MIL is used to indicate the ECM's detection of a vehicle malfunction. Follow this procedure using the hand-held tester or an OBD II scan tool to determine the cause of the problem and to check the MIL.

WIRING DIAGRAM



INSPECTION PROCEDURE

HINT:

Troubleshoot each trouble symptom in accordance with the chart below .

MIL remains on	Start inspection from step 1
MIL is not illuminated	Start inspection from step 3

1 CLEAR DTC

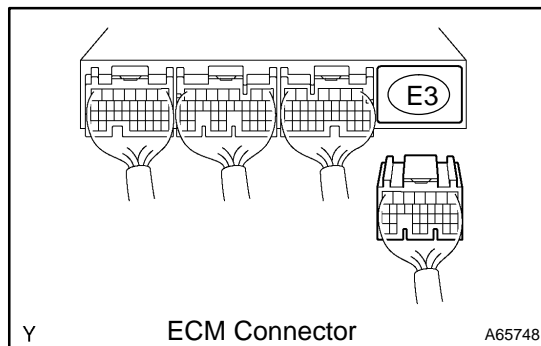
- (a) Connect the hand-held tester or the OBD II scan tool to the DLC 3.
- (b) Turn the ignition switch ON and push the hand-held tester or the OBD II scan tool main switch ON.
- (c) Read the DTC (See page 05-9).
- (d) Clear the DTC (See page 05-9).
- (e) Check that MIL is not illuminated.

Standard: MIL is not illuminated

OK

REPAIR CIRCUIT INDICATED BY OUTPUT CODE (See page 05-34)

NG

2 CHECK HARNESS AND CONNECTOR(CHECK FOR SHORT IN WIRE HARNESS)

- (a) Disconnect the E3 ECM connector.
 - (b) Turn the ignition switch ON.
 - (c) Check that MIL is not illuminated.
- Standard: MIL is not illuminated**
- (d) Reconnect the ECM connector.

OK

REPLACE ECM (See page 10-17)

NG

CHECK AND REPAIR HARNESS AND CONNECTOR (COMBINATION METER - ECM)**3 CHECK THAT MIL IS ILLUMINATED**

- (a) Check that MIL is illuminated when turning the ignition switch ON.

Standard: MIL is illuminated

OK

SYSTEM OK

NG

4 INSPECT COMBINATION METER ASSY (MIL CIRCUIT)

- (a) See the combination meter troubleshooting on page 05-587.

NG

REPAIR OR REPLACE BULB OR COMBINATION METER ASSEMBLY

OK

CHECK AND REPAIR HARNESS AND CONNECTOR (COMBINATION METER - ECM)