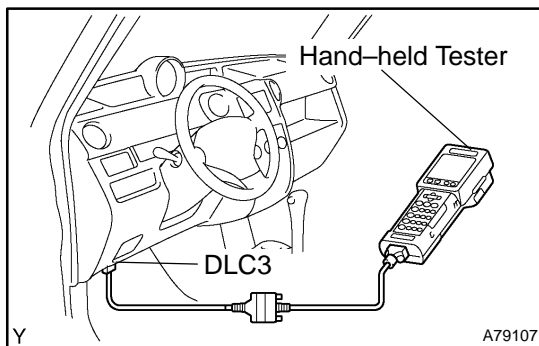


DTC CHECK/CLEAR

NOTICE:

- If there is no DTC in the normal mode, check the pending fault code using the Continuous Test Results function (Mode 7 for SAE J1979) on the OBD II scan tool or the hand-held tester.
- Hand-held tester only:
When the diagnosis system is switched from the normal mode to the check mode, all the DTCs and freeze frame data recorded in the normal mode will be erased. So before switching modes, always check the DTCs and freeze frame data, and then write them down.



1. CHECK DTC (Using the OBD II scan tool or hand-held tester)

- Connect the OBD II scan tool or hand-held tester to the DLC3.
- Turn the ignition switch ON.
- Use the OBD II scan tool or the hand-held tester to check the DTCs and freeze frame data and then them down. If you need help with the OBD II scan tool, refer to the scan tool's instruction book.

If there is no DTC in the normal mode, check the pending fault code using the Continuous Test Results function (Mode 7 for SAE J1979) on the OBD II scan tool or the hand-held tester.

- See page 05-34 to confirm the details of the DTCs.

NOTICE:

- When simulating a symptom with the OBD II scan tool (excluding hand-held tester) to check the DTCs, use the normal mode. For code on the DTC chart subject to "2 trip detection logic", perform either of the following actions.
- Turn the ignition switch OFF after the symptom is simulated once. Then repeat the simulation process again. When the problem has been simulated twice, the MIL lights up and the DTCs are recorded in the ECM.
- Check the pending fault code using the Continuous Test Results function (Mode 7 for SAE J1979) on the OBD II scan tool.

2. CLEAR DTC (Using the OBD II scan tool or hand-held tester)

- Connect the OBD II scan tool or the hand-held tester to the DLC3.
- Turn the ignition switch ON.
- When operating the OBD II scan tool (complying with SAE J1978) or the hand-held tester to erase the codes, the

DTCs and freeze frame data will be erased. (See the OBD II scan tool's instruction book for operating instructions.)

3. **CLEAR DTC (Not using the OBD II scan tool or hand-held tester)**
 - (a) Disconnect the battery terminal or remove the EFI fuse from the engine room R/B for more than 60 seconds.