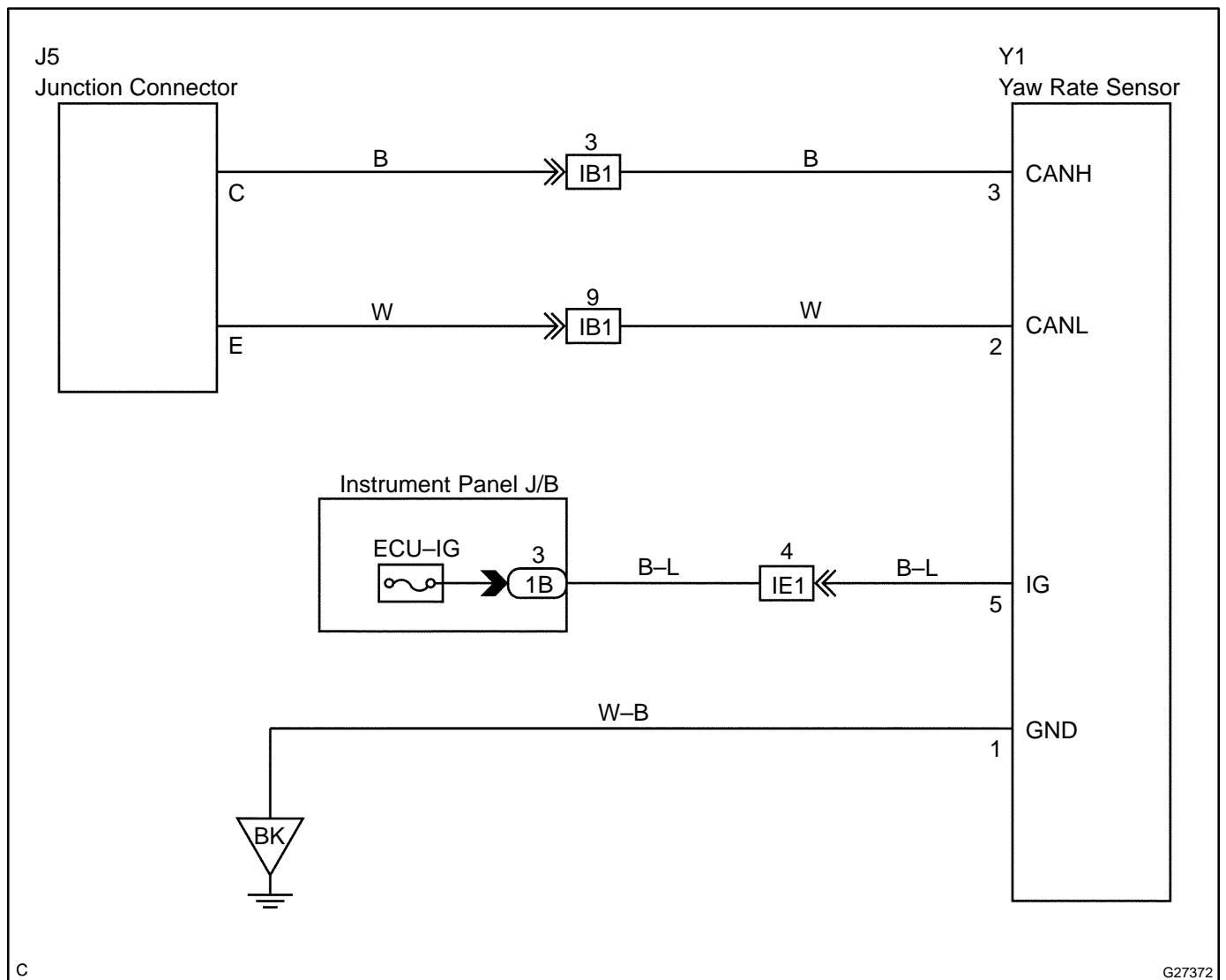


YAW RATE SENSOR COMMUNICATION STOP MODE

CIRCUIT DESCRIPTION

DTC No.	DTC Detecting Condition	Trouble Area
U0123/62	<ul style="list-style-type: none"> When ECU terminal IG1 voltage is 9.5 V or more, the data is not received from yaw rate sensor for more than 1 sec. When ECU terminal IG1 voltage is 9.5 V or more, the data reception from yaw rate sensor is impossible once or more within 5 sec., and it repeatedly occurs 10 times. 	<ul style="list-style-type: none"> CANL or CANH circuit Yaw rate sensor Skid control ECU
U0124/95	<ul style="list-style-type: none"> When ECU terminal IG1 voltage is 9.5 V or more, the data is not received from deceleration sensor for more than 1 sec. When ECU terminal IG1 voltage is 9.5 V or more, the data reception from deceleration sensor is impossible once or more within 5 sec., and it repeatedly occurs 10 times. 	

WIRING DIAGRAM

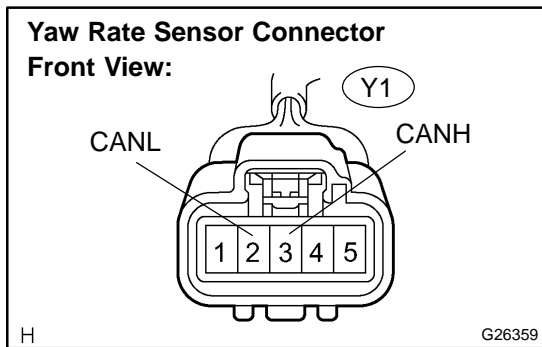


C

G27372

INSPECTION PROCEDURE

1 CHECK CAN BUS LINE FOR DISCONNECTION(YAW RATE SENSOR SUB BUS LINE)



- (a) Turn the ignition switch to the LOCK position.
- (b) Disconnect the yaw rate sensor connector (Y1).
- (c) Measure the resistance according to the value(s) in the table below.

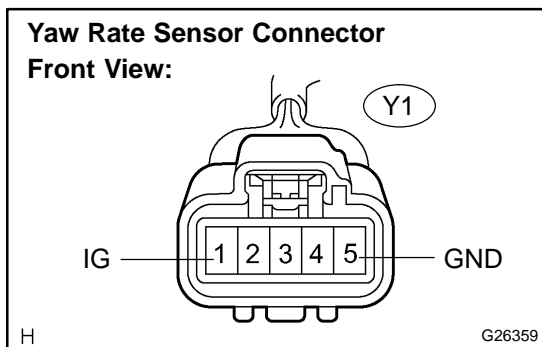
Standard:

Tester connection	Condition	Specified value
Y1-2 (CANL) – Y1-3 (CANH)	Ignition SW OFF	54 to 67 Ω

NG → **Go to step 3**

OK

2 CHECK WIRE HARNESS AND CONNECTOR(IG, GND)



- (a) Measure the resistance according to the value(s) in the table below.

Standard:

Tester connection	Condition	Specified value
Y1-5 (GND) – Body ground	Always	Below 1 Ω

- (b) Measure the voltage according to the value(s) in the table below.

Standard:

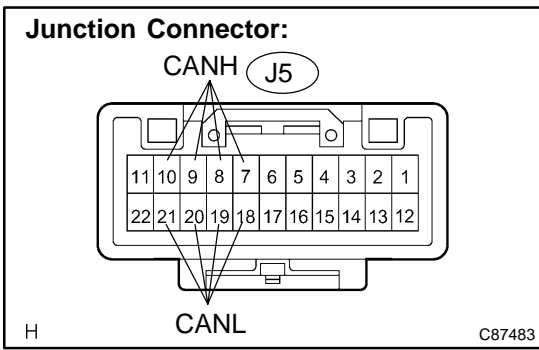
Tester connection	Condition	Specified value
Y1-1 (IG) – Y1-5 (GND)	Ignition SW ON	10 to 14 V

NG → **REPAIR OR REPLACE WIRE HARNESS OR CONNECTOR**

OK

REPLACE YAW RATE SENSOR

3 INSPECT JUNCTION CONNECTOR(J5)



- (a) Disconnect the junction connector (J5).
- (b) Measure the resistance according to the value(s) in the table below.

Standard:

Tester connection	Condition	Specified value
J5-8 (CANH) – J5-7 (CANH)	Ignition SW OFF	Below 1 Ω
J5-8 (CANH) – J5-9 (CANH)	Ignition SW OFF	Below 1 Ω
J5-8 (CANH) – J5-10 (CANH)	Ignition SW OFF	Below 1 Ω
J5-19 (CANL) – J5-18 (CANL)	Ignition SW OFF	Below 1 Ω
J5-19 (CANL) – J5-20 (CANL)	Ignition SW OFF	Below 1 Ω
J5-19 (CANL) – J5-21 (CANL)	Ignition SW OFF	Below 1 Ω

NG → **REPLACE JUNCTION CONNECTOR (J5)**

OK

REPAIR OR REPLACE YAW RATE SENSOR SUB BUS LINE OR CONNECTOR